



Redefining Healthcare Food Service

Starter Stations

With Alluserv you are not just buying a product. You are receiving our team's service commitment to get the most value from your investment in our products. We will provide you with:

- A team of knowledgeable experts with over 100 years of combined experience to help you understand and receive the most from your product throughout its service life
- Detailed instructions and specification on cleaning and application to best maintain your equipment
- A national service network and service manuals for our extensive product offering.

STARTER STATIONS

APPLICATION

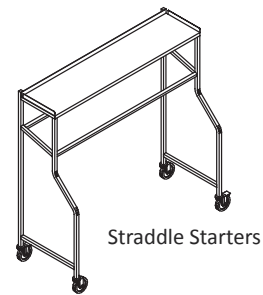
The Alluserv Starter Stations can support any tray line layout. These starter stations are designed to provide a convenient and organized method of storing and dispensing those basic items necessary for patient meal assembly. Depending on your layout requirements, we offer the straddle the conveyor style in 60" and 72" lengths or cantilever over your conveyor style in 60" and 72".

CONSTRUCTION

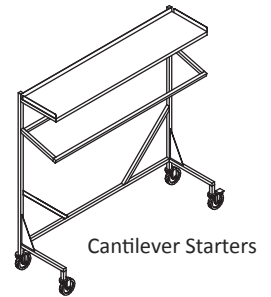
The top shelf is made from 18-gauge 300 series stainless steel with the back and sides turned up. The top shelf is 15" deep to allow plenty of surface space. The frame and pan rack is constructed of 1" O.D. 18-gauge stainless steel tubing. The 60" model will accept a combination of pans ranging from 2-full size 12"x20" and 2-1/3" size pans. The 72" model will accept 3-full size 12"x20" and 1-1/3" size pans. Flexible pan combinations allow you to select the pan size that fits your needs. The unit maneuvers easily on four 5" diameter swivel casters with non-marking cushion tread. Two are equipped with brakes to keep the unit in position.

Model Numbers:

**SS60SS, SS72CS, SS60CS,
SS72CS**



Straddle Starters

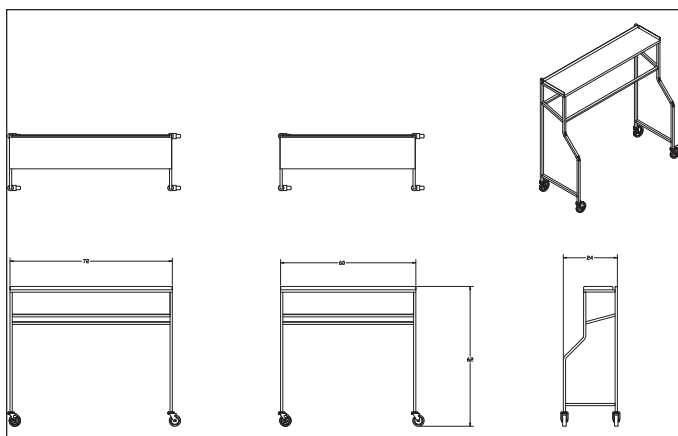


Cantilever Starters

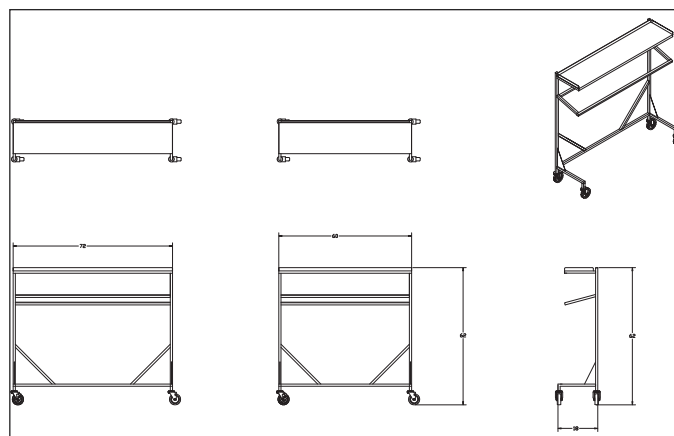
Warranty

- Two years parts and one year labor

Starter Stations



Straddle Starters



Cantilever Starters

DIMENSIONS

MODEL	OVERALL SIZE			CASTER TYPE	CASTER SIZE	CASE WEIGHT	CASE CUBE
	D	L	H				
SS60SS	60"	24"	61-1/4"	4 swivel 2 brakes	5"	250	78
SS72SS	72"	24"	61-1/4"	4 swivel 2 brakes	5"	263	92
SS60CS	60"	18"	59"	4 swivel 2 brakes	5"	245	73
SS72CS	72"	18"	59"	4 swivel 2 brakes	5"	258	88



901 West 14th Street | Suite 200 | Washington, MO | 63090 | toll free 888-892-2213 | fax 636-239-8435 | alluserv.com