



Elevating Meal Service Experiences

Item # _____
Quantity _____

Stealth™ Series Tray Carts

With Alluserv you are not just buying a product. You are receiving our team's service commitment to get the most value from your investment in our products. We will provide you with:

- A team of knowledgeable experts with over 100 years of combined experience to help you understand and receive the most from your product throughout its service life.
- Detailed instructions and specifications on cleaning and application to best maintain your equipment.
- A national service network and service manuals for our extensive product offering.

Application:

Alluserv Stealth Series tray carts are designed to be the industry's quietest, and are ideal for room service or traditional tray delivery operation. Noise reduction design helps improve CMS HCAHPS scores by providing a quiet, healing environment.

Construction:

The tray cart will be made up of 20-gauge stainless steel welded and riveted construction to accommodate 14" x 18" or 15" x 20" trays. The top and base will be made of 16-gauge stainless steel. Compartment floor will have pitched drain with plug. Side panels will have noise reducing 5" wide folded channels running entire height of panel. The door(s) will be made of 20-gauge stainless steel, insulated double pan design, and will be mounted on stainless steel lift off hinges which allow 270° door swing. Door(s) shall have magnetic closers with pivot transport latch. Door(s) will be held in fully open position by magnets embedded beneath door surface and cabinet exterior. Tray ledge panels will be of formed 1-piece design and shall be removable for easy cleaning. Ledge panel mounts will be of friction cam design to eliminate vibration noise. Tray compartments will have vents on the end panels, and top will have tubular rail on three sides. Compartment(s) will have pitched floor with drain and drain plug. Exterior base will have bottom corner bumpers.

Casters:

Casters will be 6" in diameter, rigid and swivel. Rigid casters will be offset to facilitate travel over uneven surfaces. Caster wheels will be 2" wide, with soft rounded tread to ensure a smooth and quiet ride on carpet or tile. Caster will have a 1/4" neoprene pad between mount plate and unit undercarriage to reduce floor vibration.



Model
ST1D1T8

Features:

- Formed 1-piece ledge panel design eliminates seams and joints
- Friction cam ledge mounts eliminate vibration noise when full or empty
- Formed side panels minimize vibration noise
- Doors open 270° for unobstructed access.
- Pivot travel pressure latch eliminates door vibration during transport
- Pull-type door with magnetic closure and hold-open with ergonomic full-height door grasp for easy opening
- Wide, cushion-tread casters are specifically engineered for noise reduction
- Front casters are offset for easy travel over uneven surfaces
- Tubular push handle
- Pitched floor and drain with plug
- Anti-static floor strap eliminates static buildup
- NSF listed

Warranty:

- 2-year parts
- 1-year labor

Options:

- 8" casters
- Menu card holder
- Perimeter bumper
- Standard 6" cushion tread casters (deduct)
- Custom tray size (Specify _____)
- Custom exterior graphics
- Custom ledge spacing (Specify _____)
- Brake casters (2 ea. swivel)
- Drain reservoir
- Fourth top rail
- No top rails (deduct)

Spec. # _____

AIA # _____

Made in U.S.A.

901 West 14th Street ♦ Washington MO 63090 USA
tel: 888.892.2213 ♦ 636.239.8441 ♦ www.alluserv.com

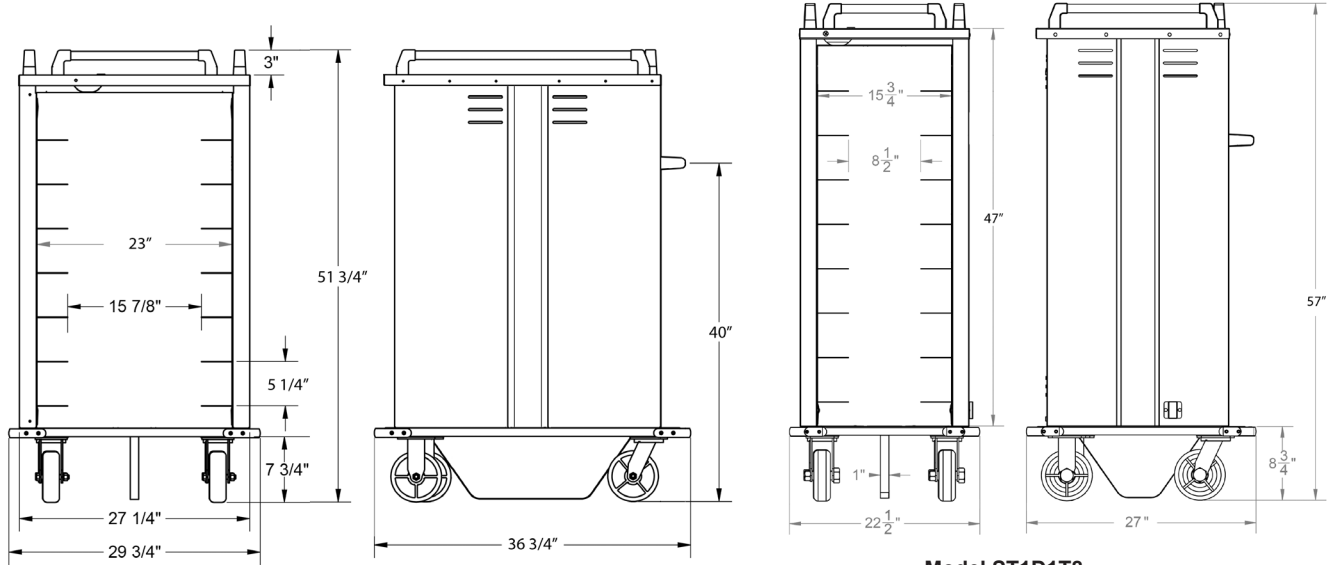
Powered by LAKESIDE®



Elevating Meal Service Experiences

Stealth™ Series Tray Carts

Spec. #



Model ST1D2T14

Model ST1D1T8

AIA #

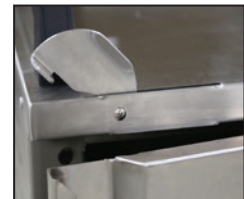
Model Information

Model	Pass-Through Model*	Overall Size			Tray Capacity	Trays Per Ledge	Casters		Case Wt. Lbs.
		W	L	H			Type	Dia.	
Single Compartment									
ST1D1T6	ST1DPT1T6	22½"	27"	46½"	6	1	2-swivel, 2-rigid	6"	170
ST1D1T8	ST1DPT1T8	22½"	27"	57"	8	1	2-swivel, 2-rigid	6"	190
ST1D2T10	ST1DPT2T10	29¾"	37½"	41¼"	10	2	2-swivel, 2-rigid	6"	210
ST1D2T12	ST1DPT2T12	29¾"	37½"	46½"	12	2	2-swivel, 2-rigid	6"	230
ST1D2T14	ST1DPT2T14	29¾"	37½"	51¼"	14	2	2-swivel, 2-rigid	6"	250
ST1D2T16	ST1DPT2T16	29¾"	37½"	57"	16	2	2-swivel, 2-rigid	6"	270
ST1D2T18	ST1DPT2T18	29¾"	37½"	62"	18	2	2-swivel, 2-rigid	6"	290
ST1D2T20	ST1DPT2T20	29¾"	37½"	67½"	20	2	2-swivel, 2-rigid	6"	310
Double Compartment									
ST2D1T10	ST2DPT1T10	28"	45"	41¼"	10	1	2-swivel, 2-rigid	6"	230
ST2D1T12	ST2DPT1T12	28"	45"	46½"	12	1	2-swivel, 2-rigid	6"	250
ST2D1T14	ST2DPT1T14	28"	45"	51¼"	14	1	2-swivel, 2-rigid	6"	270
ST2D1T16	ST2DPT1T16	28"	45"	57"	16	1	2-swivel, 2-rigid	6"	290
ST2D1T18	ST2DPT1T18	28"	45"	62"	18	1	2-swivel, 2-rigid	6"	310
ST2D1T20	ST2DPT1T20	28"	45"	67½"	20	1	2-swivel, 2-rigid	6"	330
ST2D2T20	ST2DPT2T20	36¾"	50"	41¼"	20	2	2-swivel, 2-rigid	6"	350
ST2D2T24	ST2DPT2T24	36¾"	50"	46½"	24	2	2-swivel, 2-rigid	6"	370
ST2D2T28	ST2DPT2T28	36¾"	50"	51¼"	28	2	2-swivel, 2-rigid	6"	390
ST2D2T32	ST2DPT2T32	36¾"	50"	57"	32	2	2-swivel, 2-rigid	6"	410
ST2D2T36	ST2DPT2T36	36¾"	50"	62"	36	2	2-swivel, 2-rigid	6"	430

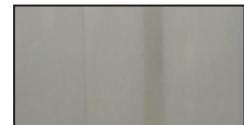
* Pass-through models feature doors on both sides of compartment.



Removable edge panels with friction cam mounts eliminate vibration noise.



Pivot door travel latch holds door firmly against door frame pads.



Formed side wall reduces 'drumming' vibration.



Tubular push handle

Made in U.S.A.

901 West 14th Street ♦ Washington MO 63090 USA
tel: 888.892.2213 ♦ 636.239.8441 ♦ www.alluserv.com

Powered by **LAKESIDE**