

Mega Top Sandwich Table Refrigerator

BAMT60



WARRANTY

- 2Years Parts and Labor, 5 Years on Compressor in USA



Conforms to NSF/ANSI 7(ETL)

223 W. Rosecrans Ave. Gardena, CA. 90248 USA

Tel : 1.866.677.8500 / 310.808.0102
Fax : 310.808.0242 / 310.808.0262

BAMT60 Mega Top Sandwich Table

Product Specification

MODEL NAME	BAMT60
Product Description	Refrigerator
Capacity(Cu.ft.)	16.5
Exterior Dimensions(WxDxH)	60 1/2" x 33 3/4" x 44"
Net Weight(lbs)	278
Foot	Caster 4
Door Type	2 Doors (Swing)
Door Auto Closer	Equipped(Spring)
Shelves	2 ea
Input	AC 115V / 60Hz
Amps	6.0 A
Compressor(Hp)	3/8 Hp
Refrigerant	R-134a
Range of Temperature	32 ~40°F
Easy access for Service	Sliding Condensing Unit
Pans	1/6" x 24 ea

* BLUE AIR has the right to change specifications without further notice.

● STAINLESS STEEL INTERIOR, EXTERIOR

The excellent quality of stainless steel help minimizes dents, scratches, and rust. It also maximizes the tensile and bright smooth sheen. In addition our stainless steel offers long-life durability and easy maintenance.

● 5" DIAMETER SWIVEL CASTERS WITH BRAKES FOR THE FRONT

● RECESSED DOOR HANDLE

● SELF-CLOSING DOOR

● STAINLESS STEEL ROLL-BACK COVER IS FOAM INSULATED

● SELF CONTAINED SYSTEM

Simple installation with no plumbing. Comes with a 9 foot long cord

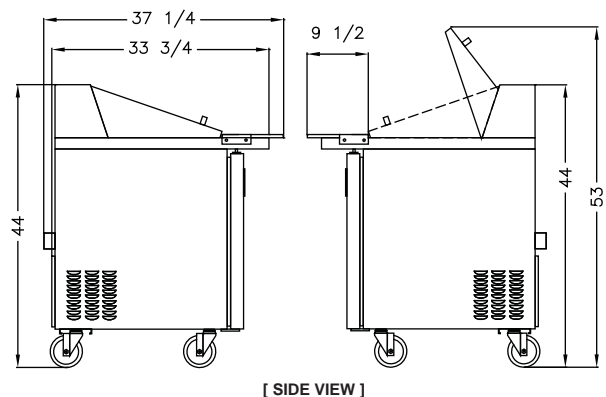
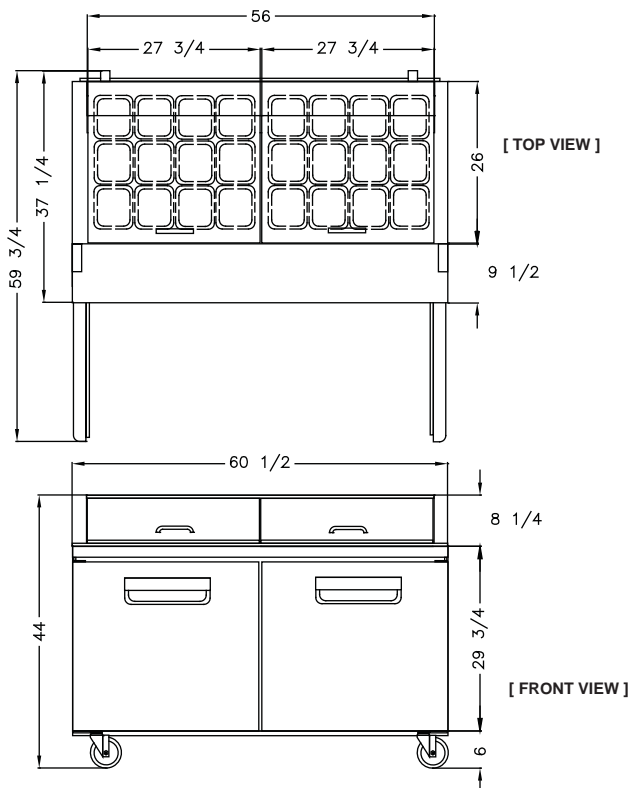
● CFC-FREE FOAMED-IN-PLACE POLYURETHANE WITH HIGH DENSITY

With the extra density and high-capacity cells, There is more energy efficiency.

● ELEGANT ROUND CORNER

An elegant design with a more stable appearance and safely benefits

● Conforms to NSF/ANSI 7(ETL).



WARRANTY

- 2 Years Parts and Labor, 5 Years on Compressor in USA



BLUE AIR Commercial Refrigeration Inc.

223 W. Rosecrans Ave.
Gardena, CA. 90248 USA

Tel : 1.866.677.8500 / 310.808.0102
Fax : 310.808.0242 / 310.808.0262

<http://www.Blueairinc.com>
Email : info@blueairinc.com