

**Sushi Case, for remote cooling unit**



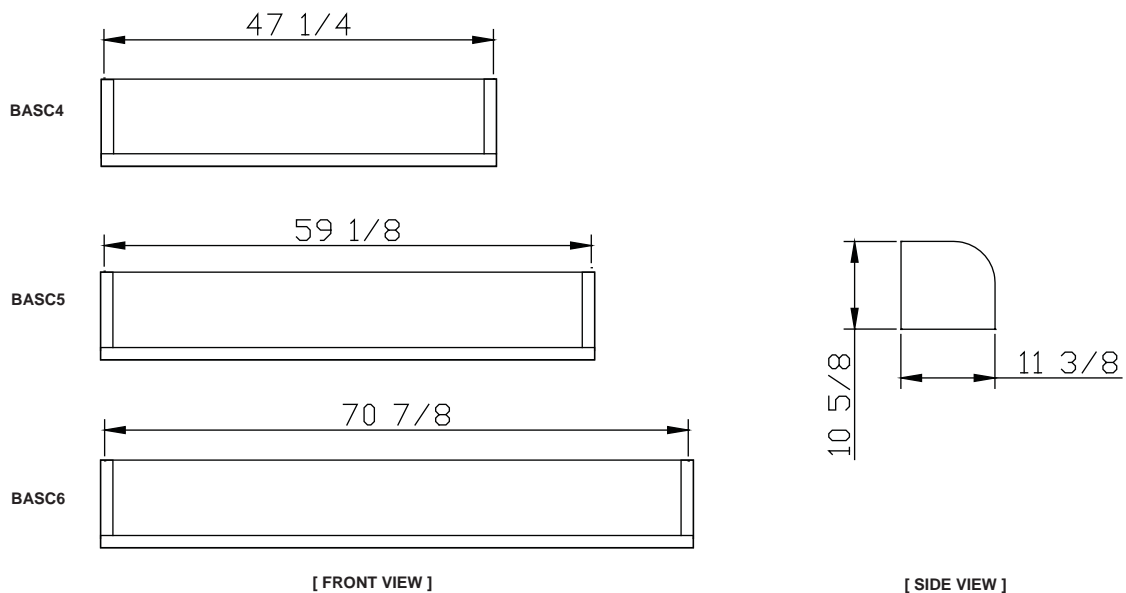
## SUSHI CASE for remote control unit, with elegant Round glass

### Product Specification

Model	Exterior (W x D x H)	Interior (W x D x H)	Cu.Ft.	Net Weight(lbs)	Gross Weight(lbs)
BASC4	47 1/4" x 11 3/8" x 10 5/8"	42 1/4" x 10 1/2" x 7 1/2"	1.82	56	73
BASC5	59 1/8" x 11 3/8" x 10 5/8"	54 7/8" x 10 1/2" x 7 1/2"	2.31	70	90
BASC6	70 7/8" x 11 3/8" x 10 5/8"	65 7/8" x 10 1/2" x 7 1/2"	2.87	83	104

\* BLUE AIR has the right to change specifications without further notice.

- **Top and front glass incorporated with a smooth curve that brings a better attraction at a glance to maximize the display appearance.**
- **Excellent mirror finished 304 Stainless Steel.**
- **Durability & energy efficiency**  
- Cabinet (Top, Bottom, Sides) insulated with CFC free urethane insulation.
- **Easy to open & close**  
- 4 rear glass doors with an elaborate recessed door handle.
- **Easy to clean with removable shelves (2pcs)**
- **Distinguished Refrigeration**  
- Four interior evaporation bars creating eminent refrigeration
- **Multiple units can be connected to one condensing unit.**
- **BLUE AIR's Sushi case is made with an elegant round glass for a beautiful display.**  
Its Stainless Steel top is wide enough to place the entrees, great for serving.



### BLUE AIR Commercial Refrigeration Inc.