

Direct Draw Beer Dispenser

BDD90-4B

BDD90-4S



WARRANTY

- 2 Years Parts and Labor, 5 Years on Compressor in USA



Conforms to NSF/ANSI 7(UL)

223 W. Rosecrans Ave. Gardena, CA. 90248 USA

Tel : 1.866.677.8500 / 310.808.0102

Fax : 310.808.0242 / 310.808.0262

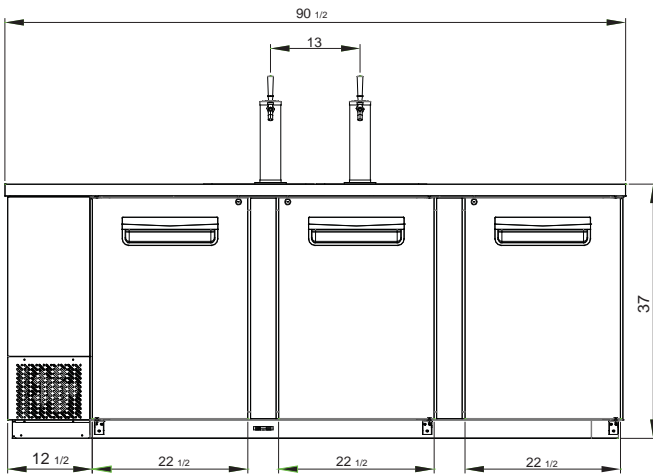
BDD90-4B(S) Direct Draw Beer Dispenser

Product Specification

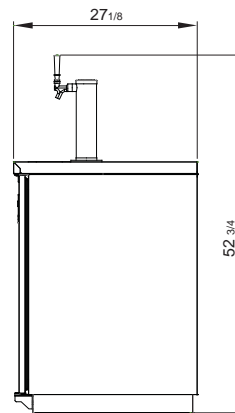
MODEL NAME	BDD90-4B(S)
Product Description	Direct Draw Beer Dispenser
Capacity(Cu.ft.)	31.5
Exterior Dimensions(WxDxH),without HDL	90 1/2" x 27 1/8" x 37"
Net Weight(lbs)	441
Door Type	3 Solid Door (Swing)
Door Stopper	Yes
Barrels(1/2)	4 ea
Input	AC 115V / 60Hz
Amps	6.3 A
Compressor(Hp)	3/8 HP
Refrigerant	R-134a
Range of Temperature	32 ~40°F

* BLUE AIR has the right to change specifications without further notice.

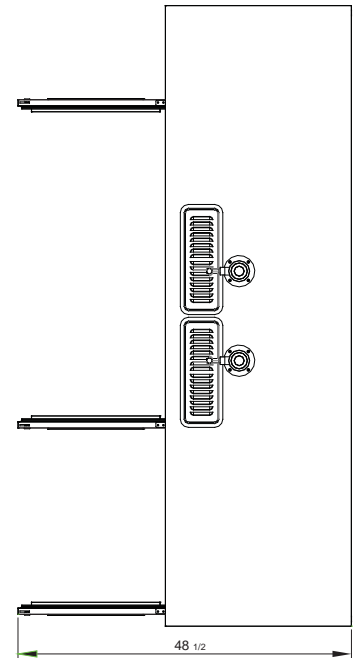
- Forced Air Cooling System
- Side-mount Compressor left side with extra ventilation
- Available Black vinyl finish(B) or Stainless(S)
- Galvanized Interior and Stainless Steel Floor
- High density & Eco - friendly CFC Free Insulation
- Eco - Friendly refrigerant - R134a
- Durable Gasket with easy replacement & Cleaning
- 3" Insulated beer tower
- Door locks
- Recessed door handle
- Simple plug - in



[FRONT VIEW]



[SIDE VIEW]



[TOP VIEW]

WARRANTY

- 2 Years Parts and Labor, 5 Years on Compressor in USA



BLUE AIR Commercial Refrigeration Inc.

223 W. Rosecrans Ave.
Gardena, CA. 90248 USA

Tel : 1.866.677.8500 / 310.808.0102
Fax : 310.808.0242 / 310.808.0262

<http://www.Blueairinc.com>
Email : info@blueairinc.com