



Blue Air
COMMERCIAL REFRIGERATION
 223 W. Rosecrans Ave., Gardena, CA 90248
 Toll Free 1.866.677.8500 T. 310.808.0102, F. 310.808.0242
 www.blueairinc.com | info@blueairinc.com

PROJECT :	
MODEL # :	
ITEM # :	QTY :
AVAILABLE W/H :	
APPROVAL :	

E-Line Sinks

High Quality Stainless steel



STANDARD FEATURES

ENTIRE ASSEMBLY IS FUSED, SHIELDED AND POLISHED PROVIDING A ONE-PIECE SEAMLESS SINK UNIT

WELDED AREAS ARE HIGH-SPEED BELT BLENDED TO MATCH ADJACENT SURFACES WITH THE CONTINUITY OF A SATIN FINISH

ALL SINK COMPARTMENTS ARE COVERED ON A FULL 5/8" RADIUS AND CONSTRUCTED USING STATE OF THE ART SEAMLESS WELDING TECHNIQUES

DIE-STAMPED CREASED DRAIN BOARDS FOR POSITIVE DRAINAGE

SWIRL AWAY BOWL DRAINAGE

GALVANIZED LEGS AND GUSSETS

ADJUSTABLE ABS BULLET FEET

STAINLESS STEEL LEGS AVAILABLE (OPTIONAL)

Model	Description	Overhal Exterior Dimensions (inches)			Net Weight (lbs)
		Width	Depth	Height	
BES1-18-12/L	1 Compartment Left Drain Board	39"	24"	44 1/2"	42
BSE1-18-12/R	1 Compartment Right Drain Board	39"	24"	44 1/2"	42
BSE2-18-12/2D	2 Compartments Two Drain Board	72"	24"	44 1/2"	70
BSE3-18-12/2D	3 Compartments Two Drain Board	90"	24"	44 1/2"	85



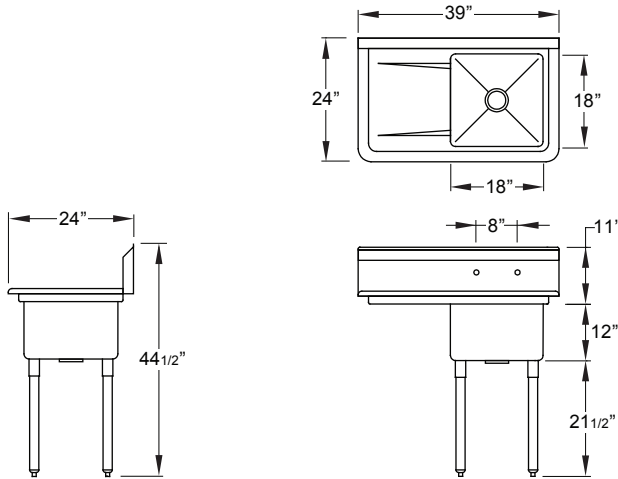
APPROVALS:

AVAILABLE AT:

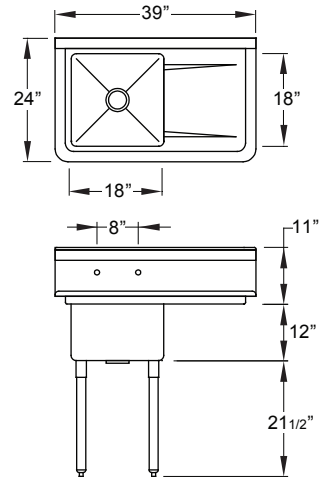
Stainless Steel Sinks

PRODUCT SPECIFICATION

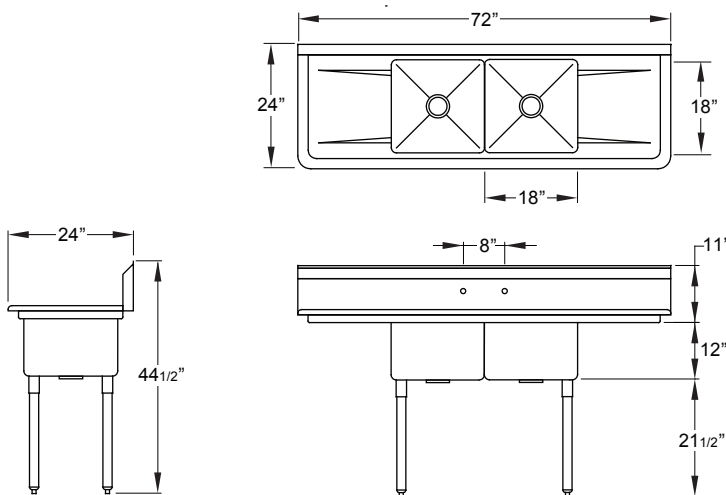
MODEL NAME	PRODUCT	EXTERIOR (W x D x H)	BOWL SIZE(W x D x H)	WEIGHT (lbs)
BSE1-18-12/R	1 Compartment 1 Right Drain Board	39" x 24" x 44 1/2"	18" x 18" x 12"	42
BSE1-18-12/L	1 Compartment 1 Left Drain Board	39" x 24" x 44 1/2"	18" x 18" x 12"	42
BSE2-18-12/2D	2 Compartments 2 Drain Board	72" x 24" x 44 1/2"	18" x 18" x 12"	70
BSE3-18-12/2D	3 Compartments 2 Drain Board	90" x 24" x 44 1/2"	18" x 18" x 12"	85



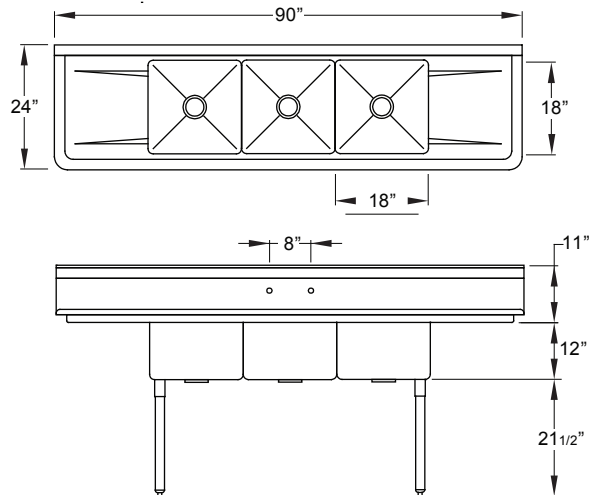
[BSE1-18-12/L]



[BSE1-18-12/R]



[BSE2-18-12/2D]



[BSE3-18-12/2D]



223 W. Rosecrans Ave., Gardena, CA 90248
Toll Free 1.866.677.8500 T. 310.808.0102, F. 310.808.0242

www.blueairinc.com | info@blueairinc.com