



BLUE AIR Commercial Refrigeration Inc.

[D-Series]

Reach-In Solid Swing Door Freezer

BSF23



WARRANTY

- 18 Months Parts and Labor, 5 Years on Compressor in USA



Conforms to NSF/ANSI 7(ETL)

223 W. Rosecrans Ave. Gardena, CA. 90248 USA

Tel : 1.866.677.8500 / 310.808.0102
Fax : 310.808.0242 / 310.808.0262



BLUE AIR Commercial Refrigeration Inc.

BSF23 Bottom Mount Reach-In Solid Swing Door Freezer

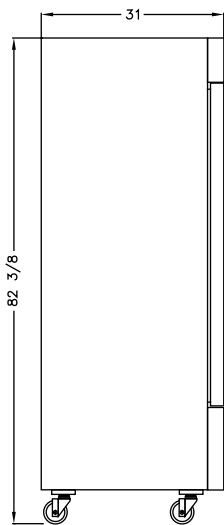
D-Series

Product Specification

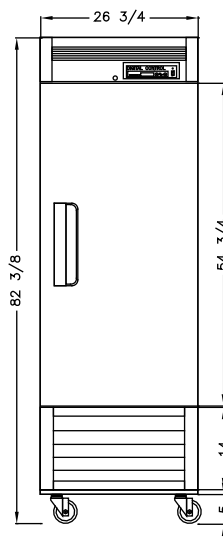
MODEL NAME	BSF23
Product Description	Freezer
Capacity(Cu.ft.)	23
Exterior Dimensions(WxDxH)	26 3/4" x 31" x 82 3/8"
Net Weight(lbs)	284
Foot	Caster 4
Door Type	1 Door (Swing)
Door Auto Closer	Equipped
Shelves	4 ea
Input	AC 115V / 60Hz
Amps	7.0 A
Compressor(Hp)	1/3 HP
Refrigerant	R-134a
Range of Temperature	-9~5 °F

* BLUE AIR has the right to change specifications without further notice.

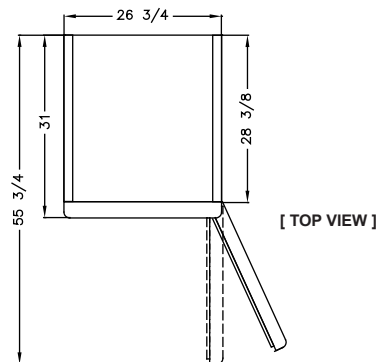
- Bottom Mounted Refrigeration System.
- Stainless Steel Interior and Exterior.
- Oversized Refrigeration System
- Digital Temperature controller
- Self-Closing & Stay Open Door.
- Recessed Handles.
- Refrigeration system is optimized to function at 32~40F.
- Air Guard on rear wall ensuring proper air flow and cooling.
- Evaporator fan stop when door opens.
- Incandescent light interior.
- 5" Diameter swivel casters with front brakes.
- Energy Star rated.
- High Density Cell Polyurethane Insulation (CFC free).
- Accommodates full size bun sheet pans.
- 4 Shelves per door section.
- 1" adjustable shelving heights.
- Door open warning Alarm.
- Door locks - each door is equipped with individual locks
- Durable usage door gasket
- Fabric condensation Kit
- Elegant Round Corners
- Field door Reversible(Left Hinge)
- Conforms to NSF/ANSI 7(ETL)



[SIDE VIEW]



[FRONT VIEW]



[TOP VIEW]

WARRANTY

- 18 Months Parts and Labor, 5 Years on Compressor in USA



BLUE AIR Commercial Refrigeration Inc.

223 W. Rosecrans Ave.
Gardena, CA. 90248 USA

Tel : 1.866.677.8500 / 310.808.0102
Fax : 310.808.0242 / 310.808.0262

<http://www.Blueairinc.com>
Email : info@blueairinc.com