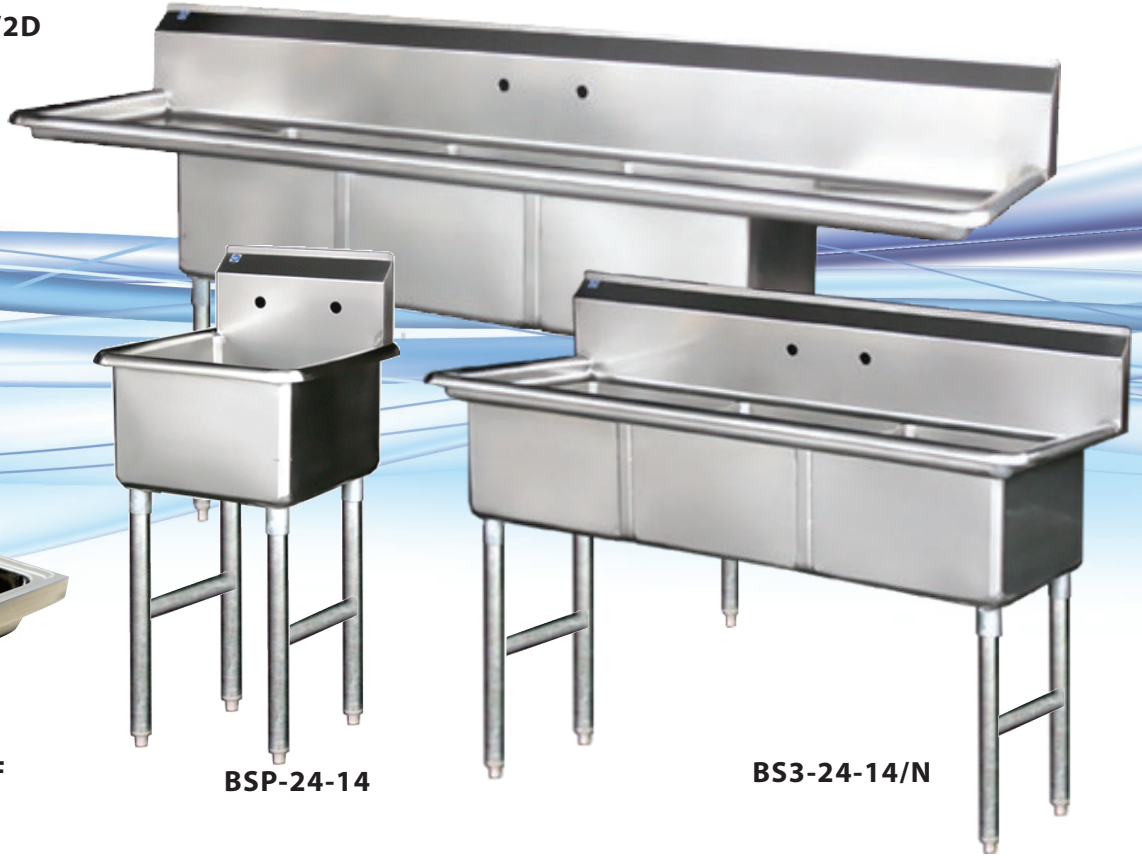


PROJECT :	
MODEL # :	
ITEM # :	QTY :
AVAILABLE W/H :	
APPROVAL :	

Hand Sinks / 24x24 Bowl Sinks

High Quality 304 Stainless Steel

BS3-24-14/2D



**BSH-14
BSH-14/LF**

BSP-24-14

BS3-24-14/N

STANDARD FEATURES

ENTIRE ASSEMBLY IS FUSED WELDED, SHIELDED AND POLISHED TO CREATE A ONE PIECE SEAMLESS SINK UNIT

WELDED AREAS ARE HIGH-SPEED BELT BLENDED TO MATCH ADJACENT SURFACES WITH THE CONTINUITY OF A SATIN FINISH

SWIRL AWAY BOWL DRAINAGE

ADJUSTABLE ABS BULLET FEET

ALL SINK COMPARTMENTS ARE COVERED WITH A FULL 5/8" RADIUS

STAINLESS STEEL CROSS BRACED LEGS AND GUSSETS FOR ADDITIONAL STRENGTH AND STABILITY

ALL SINK MODELS EQUIPPED WITH STANDARD STRAINERS WITH BRASS FITTINGS INSTEAD OF ALUMINUM

DIE-STAMPED CREASED DRAIN BOARDS FOR POSITIVE DRAINAGE

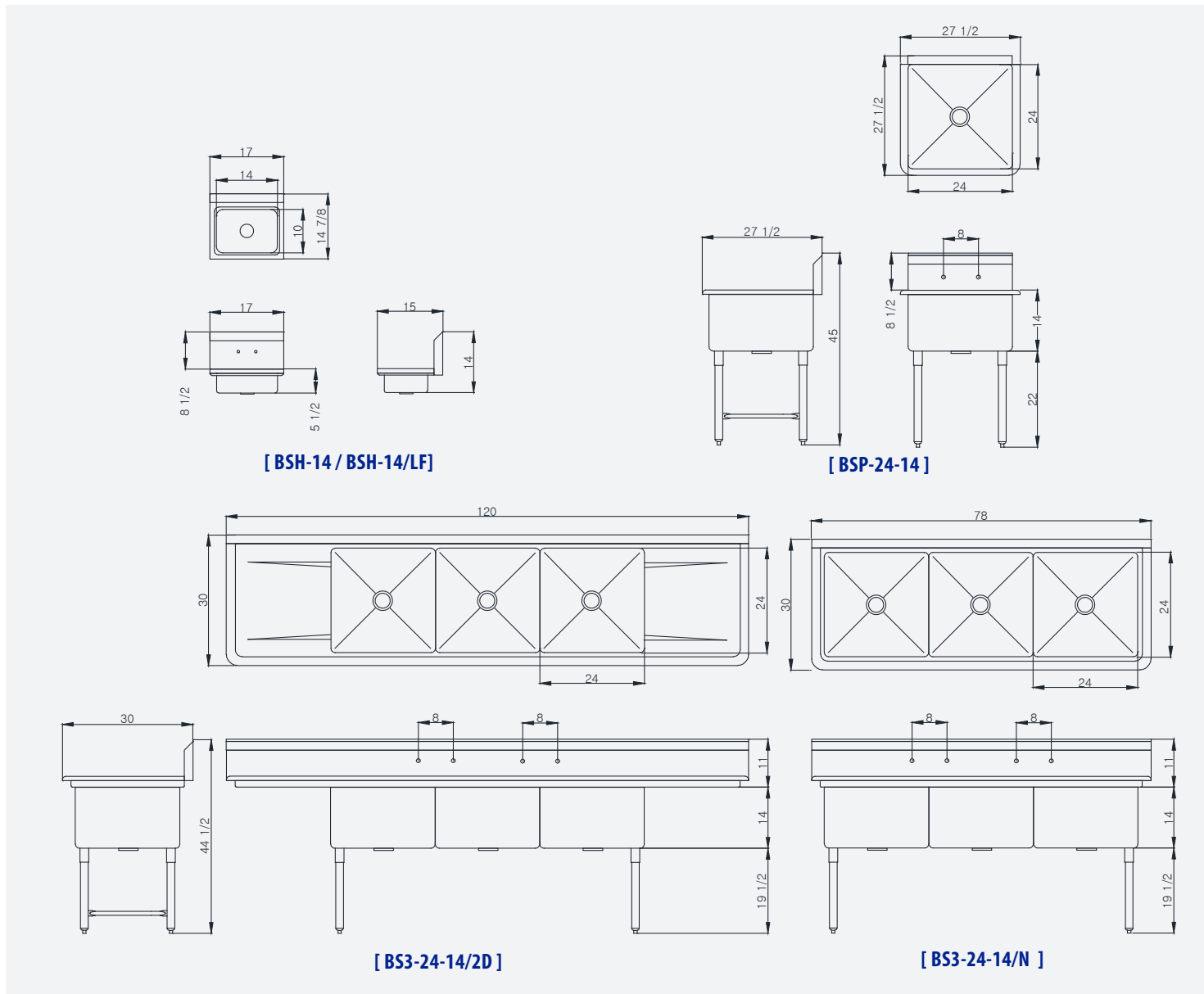


APPROVALS:

AVAILABLE AT:

Hand Sinks and 24x24 Bowl Sinks

Product plan View



Product Specification

Hand Sinks and 24x24 Bowl Sinks

Model	Description	Overall Size (inches / mm)			Bowl Size (inches / mm)			Net Weight (lbs/kg)	Ship Weight (lbs/kg)
		L	D	H	L	D	H		
BSH-14	Hand Sink with Faucet	17"(432mm)	15"(381mm)	14"(356mm)	10"(254mm)	14"(356mm)	5 1/2"(127mm)	15(7)	17(8)
BSH-14/LF	Hand Sink with Lead Free Faucet	17"(432mm)	15"(381mm)	14"(356mm)	10"(254mm)	14"(356mm)	5 1/2"(127mm)	15(7)	17(8)
BSP-24-14	Prep Sink (24x24)	27 1/2"(699mm)	27 1/2"(699mm)	45"(1143mm)	24"(610mm)	24"(610mm)	14"(356mm)	40(18)	44(20)
BS3-24-14/N	3 Compartment (24X24) No Drain Board	78"(1981mm)	30"(762mm)	44 1/2"(1130mm)	24"(610mm)	24"(610mm)	14"(356mm)	105(48)	115(52)
BS3-24-14/2D	3 Compartment (24X24) 2 Drain Boards	120"(3048mm)	30"(762mm)	44 1/2"(1130mm)	24"(610mm)	24"(610mm)	14"(356mm)	127(58)	139(63)

* BLUE AIR has the right to change specifications without further notice.



<http://www.blueairinc.com>
info@blueairinc.com
 Toll Free.1.866.677.8500

223 W. Rosecrans Ave., Gardena, CA., 90248
 T.310.808.0102, F.310.808.0242

9 W. Shelton Terrace #A, Hillside, NJ., 07205
 T.908.688.0970, F.908.688.8143