

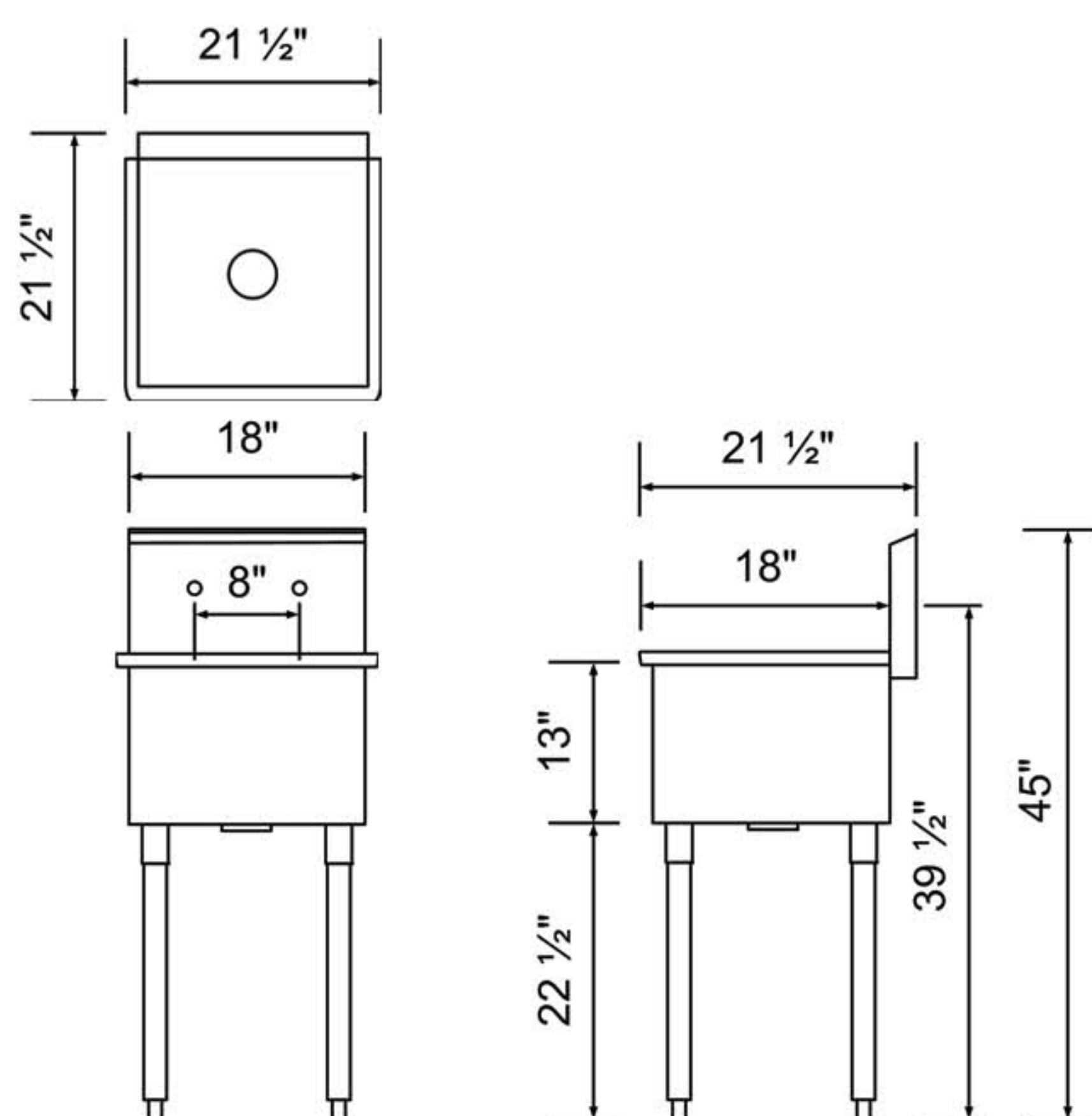
1 COMPARTMENT SINKS

COMMERCIAL STAINLESS STEEL 1 COMPARTMENT SINKS

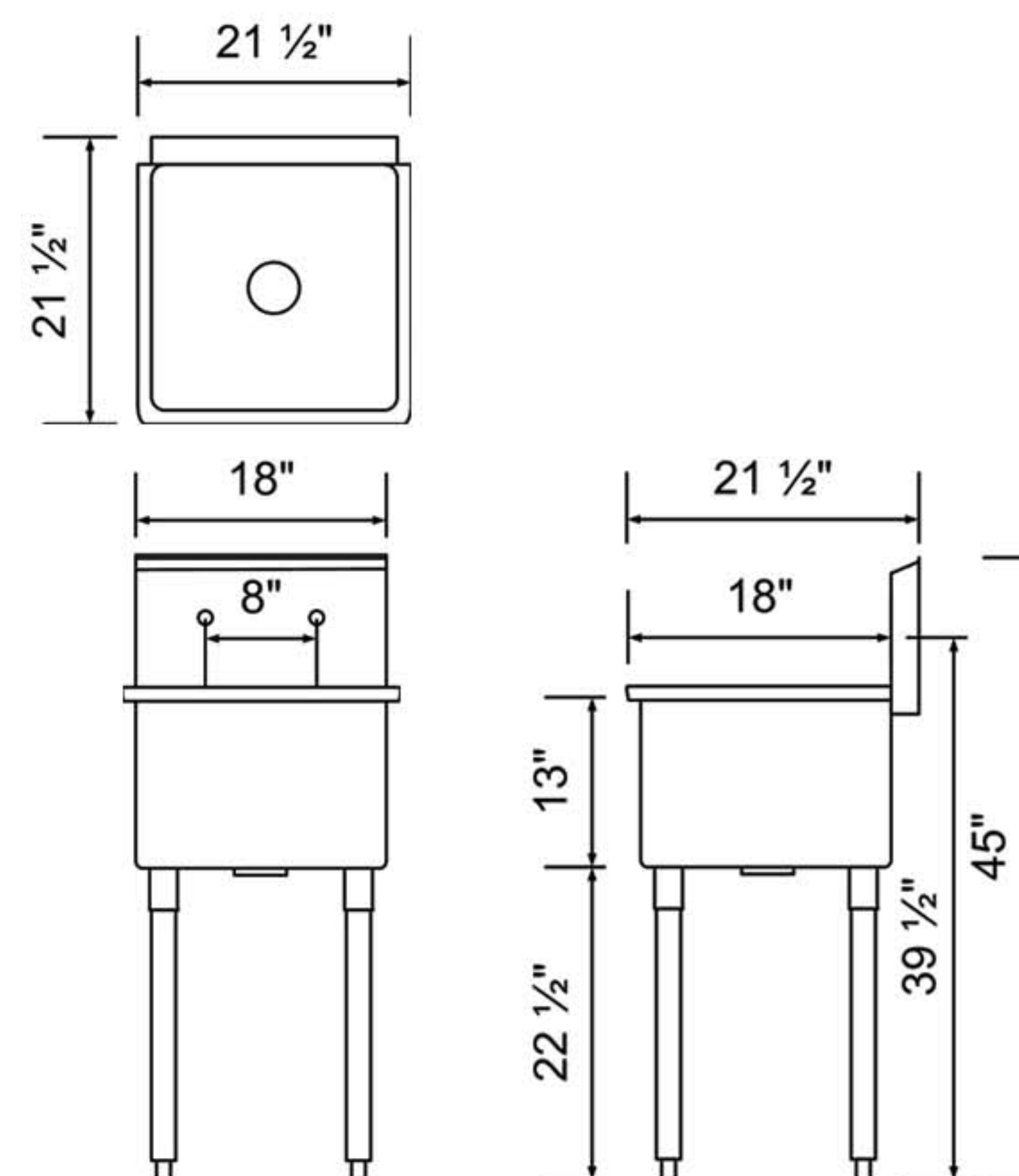
MODEL	PRODUCT	OVERALL SIZE(WxDxH)	BOWL SIZE(WxDxH)	WEIGHT(lbs)
BSM-18	Mop Sink(18x18)	21 1/2"x21 1/2"x45"	18"x18"x13"	31
BSP-18	Prep Sink(18x18)	21 1/2"x21 1/2"x45"	18"x18"x13"	31
BS1-18/R	1 Compartment 1 Right Drain Board	39"x24"x44 1/2"	18"x18"x11"	42
BS1-18/L	1 Compartment 1 Left Drain Board	39"x24"x44 1/2"	18"x18"x11"	42
BS1-18/2D	1 Compartment 2 Drain Boards	54"x24"x44 1/2"	18"x18"x11"	50

* BLUE AIR has the right to change specifications without further notice.

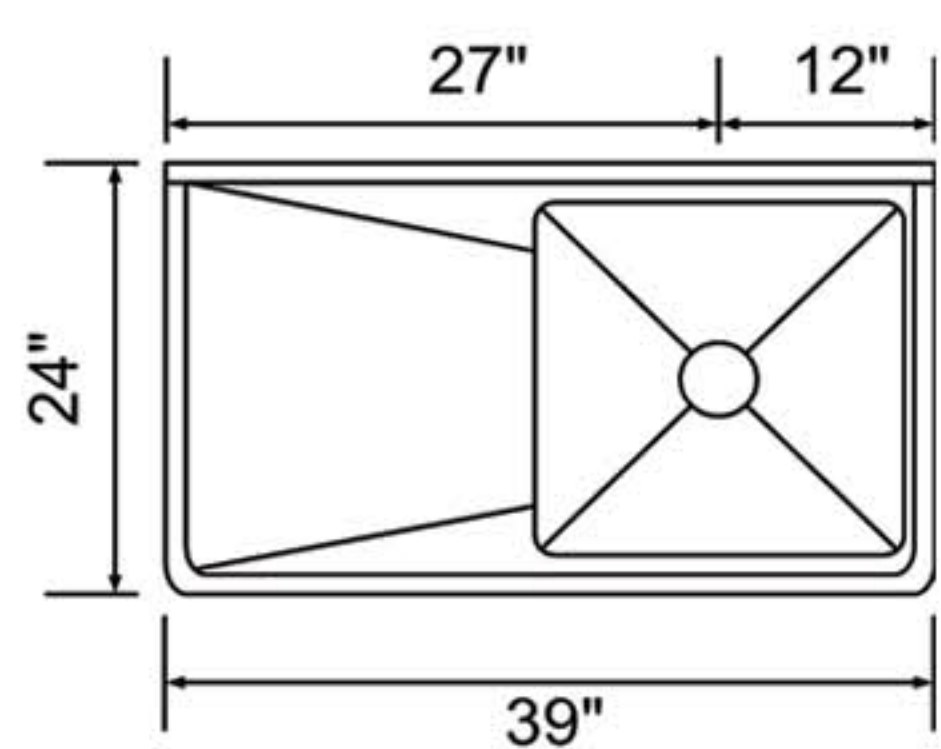
BSM-18



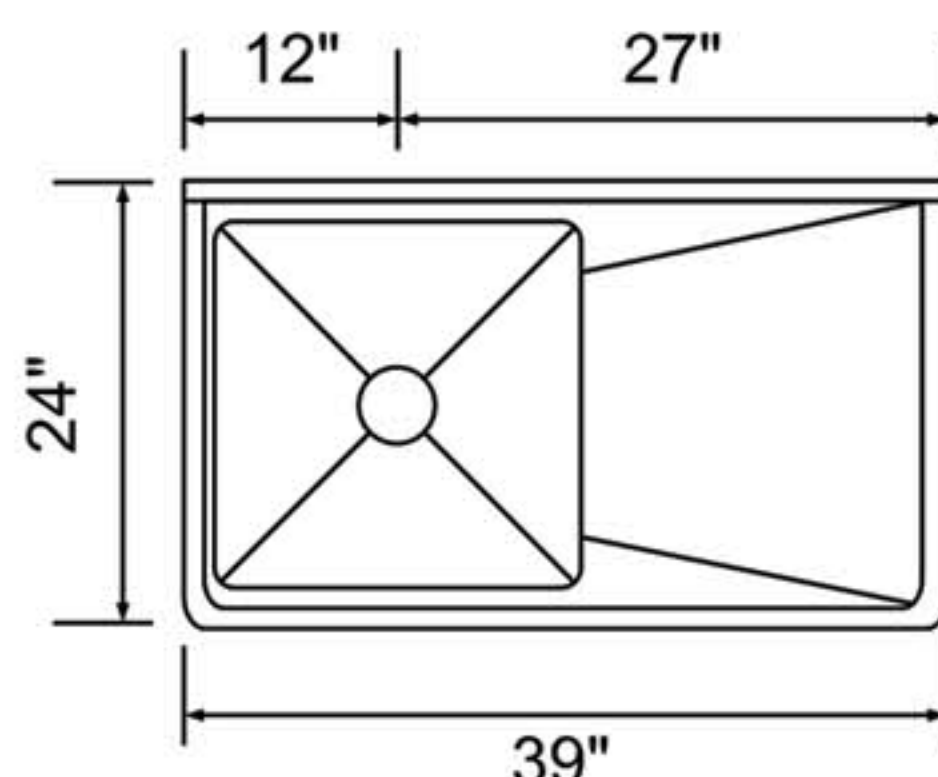
BSP-18



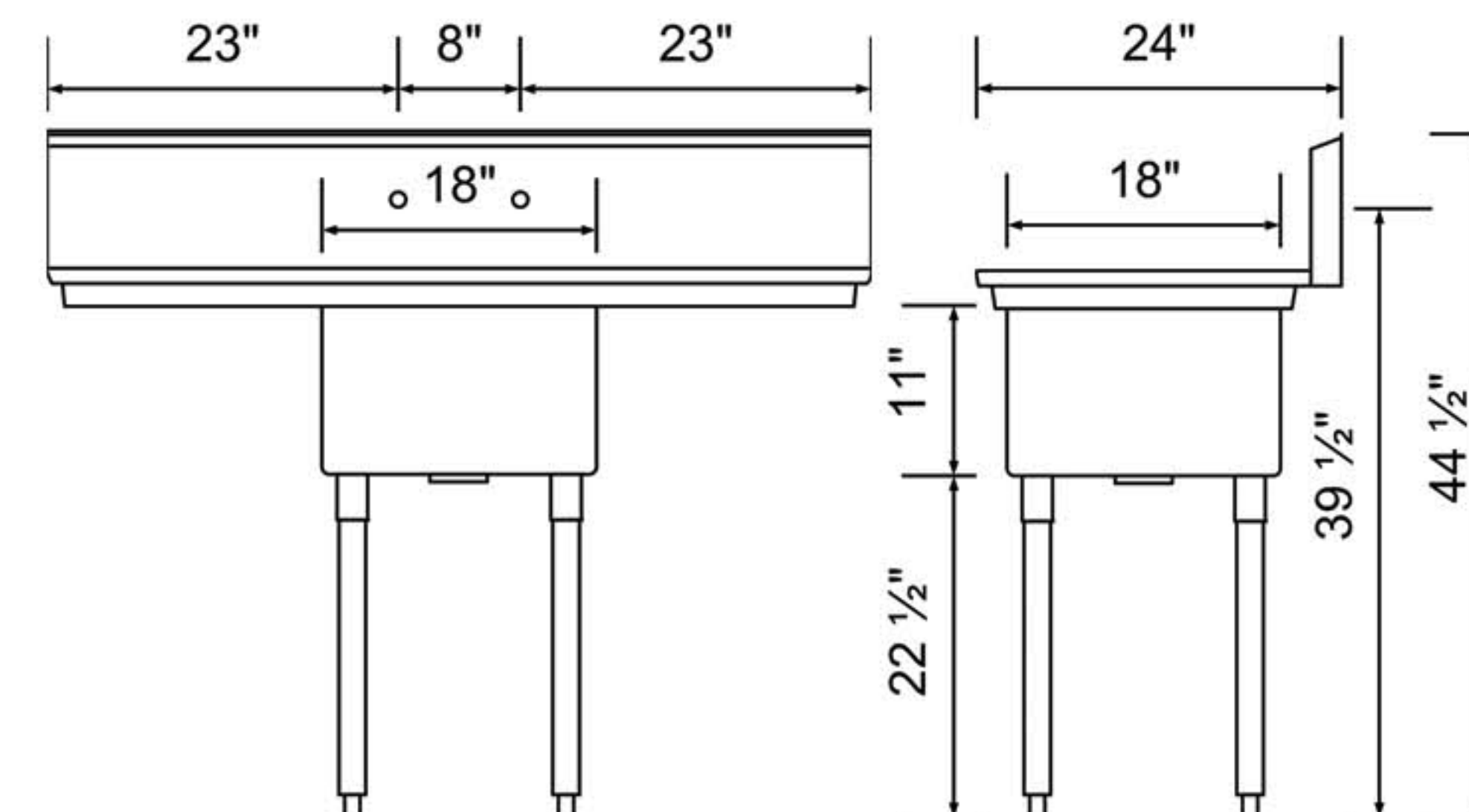
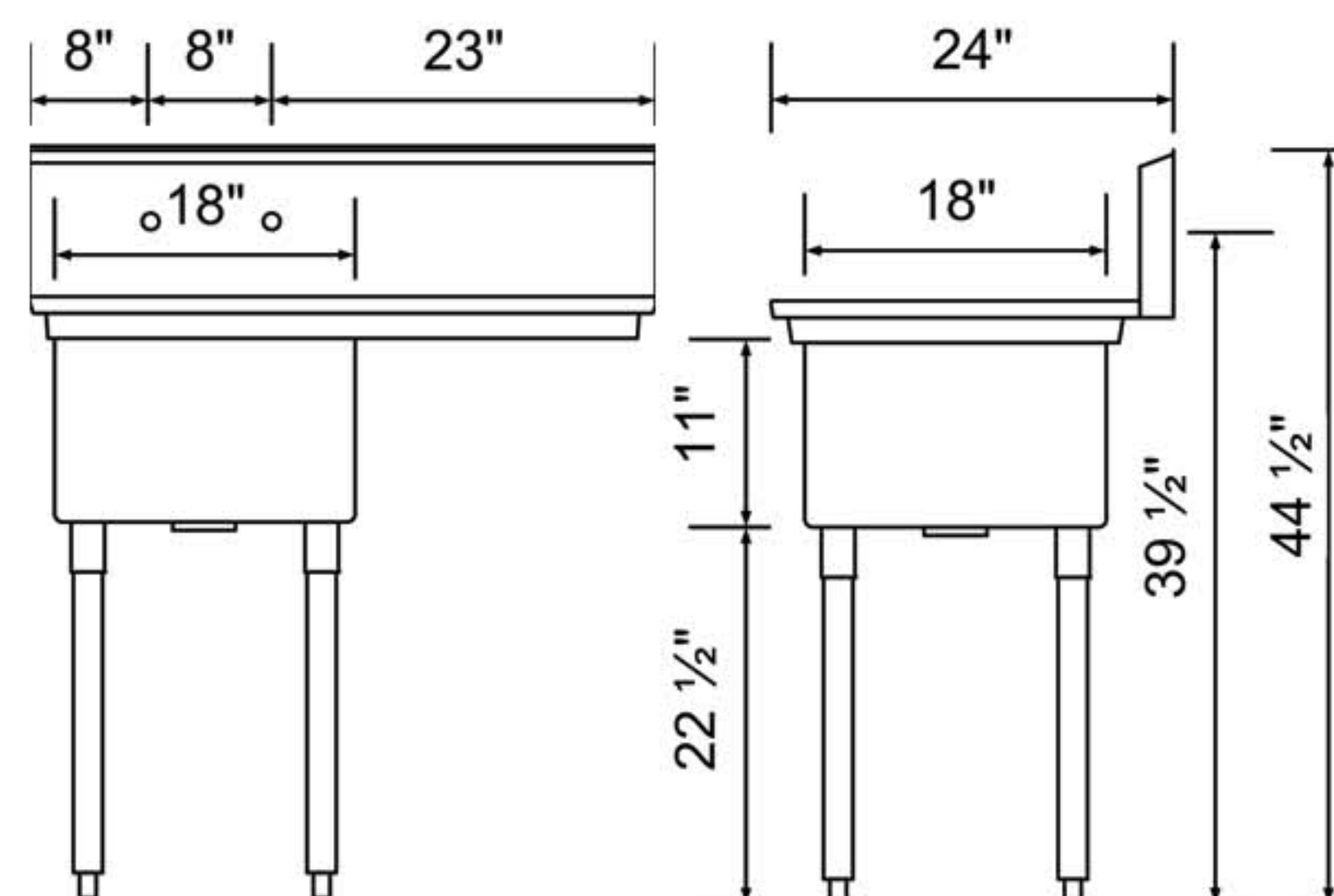
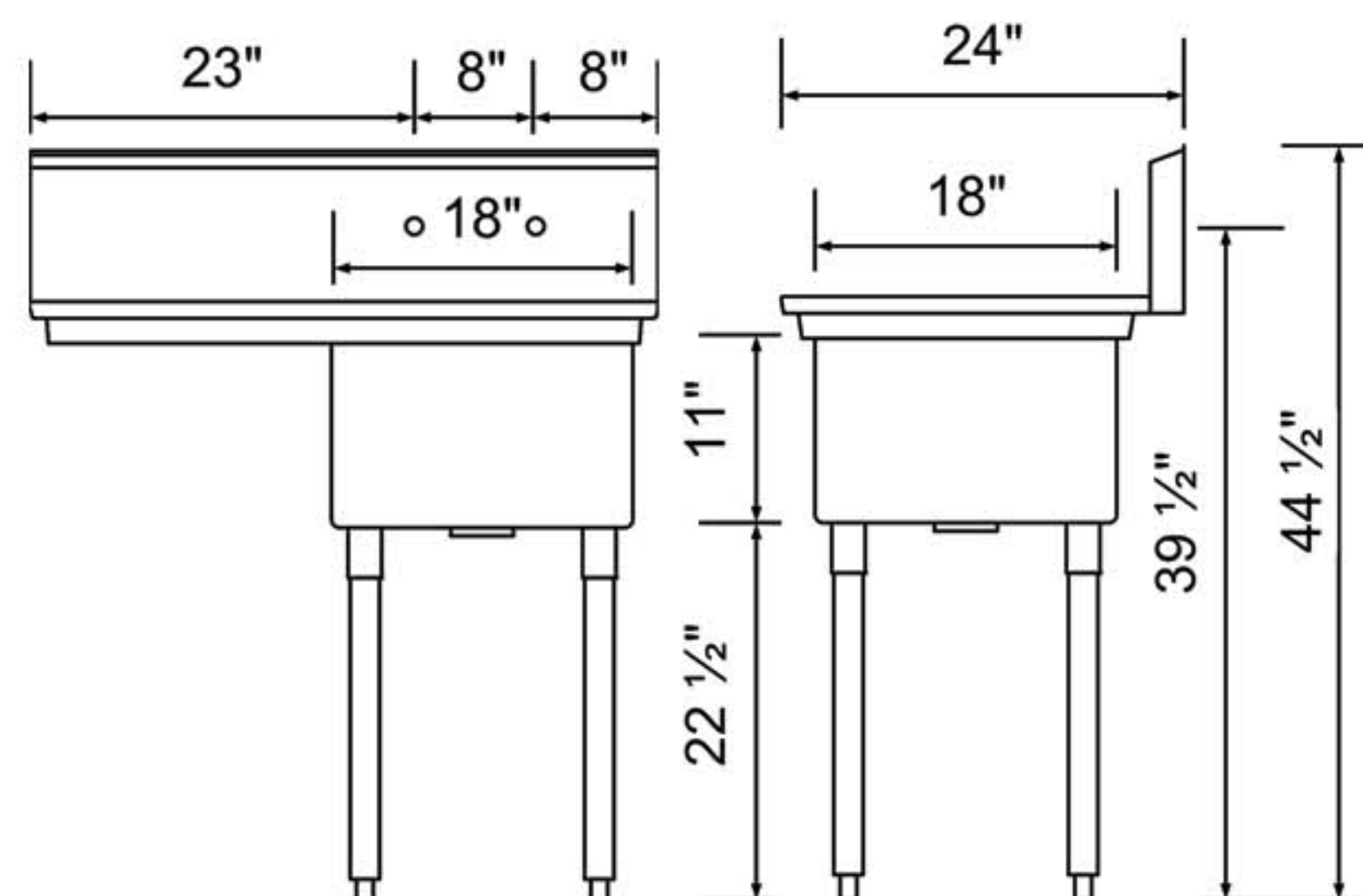
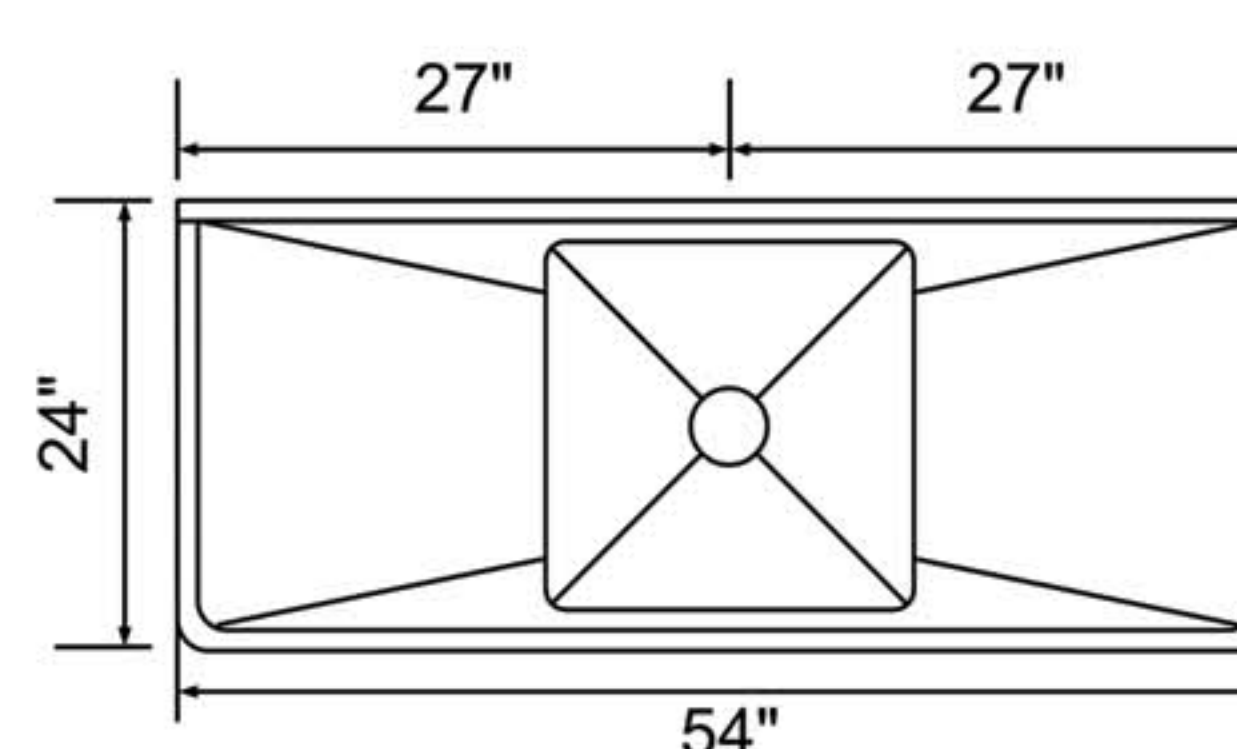
BS1-18/L



BS1-18/R



BS1-18/2D



[www. BLUEAIRinc.com](http://www.BLUEAIRinc.com)

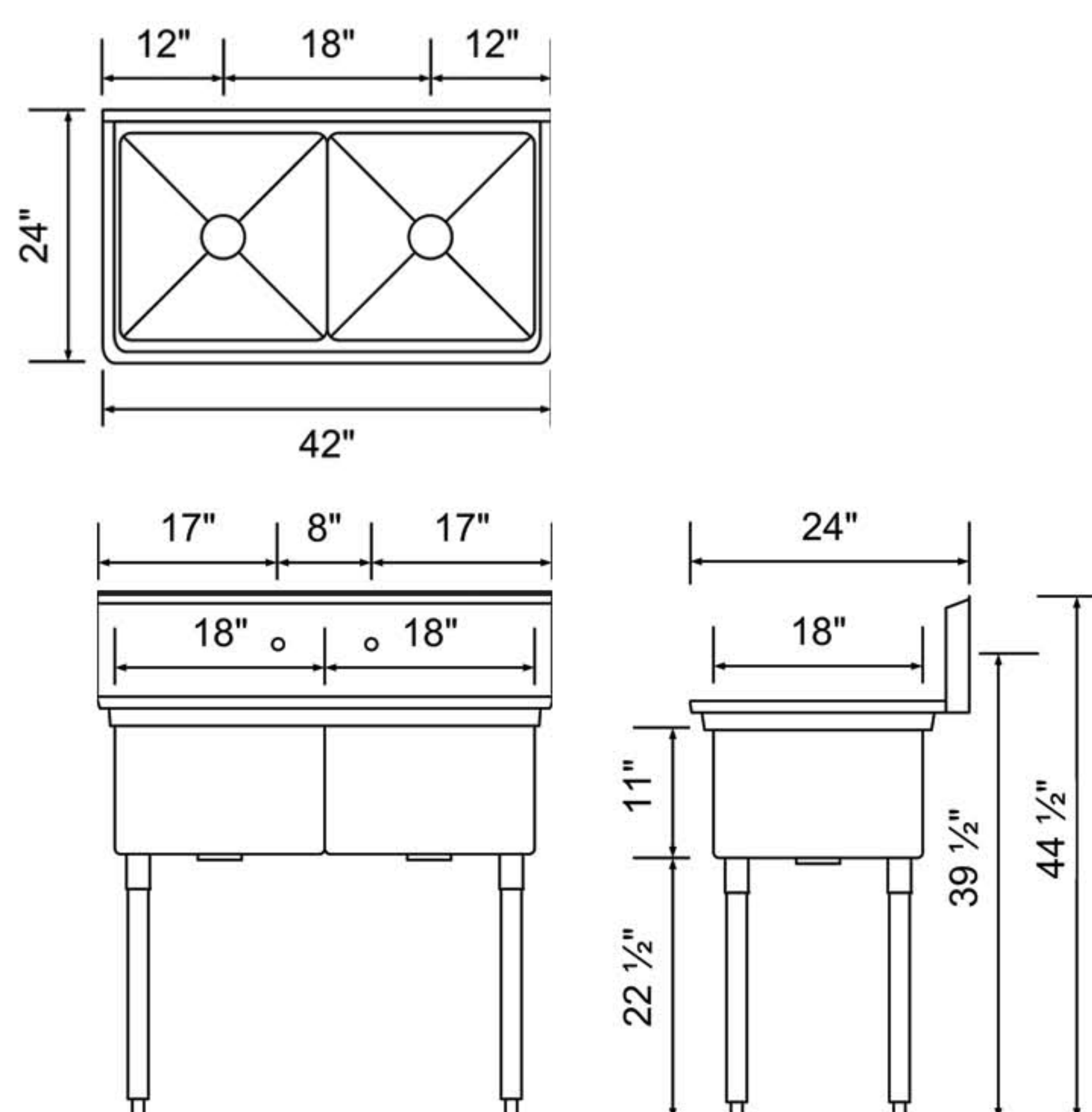
2 COMPARTMENT SINKS

COMMERCIAL STAINLESS STEEL 2 COMPARTMENT SINKS

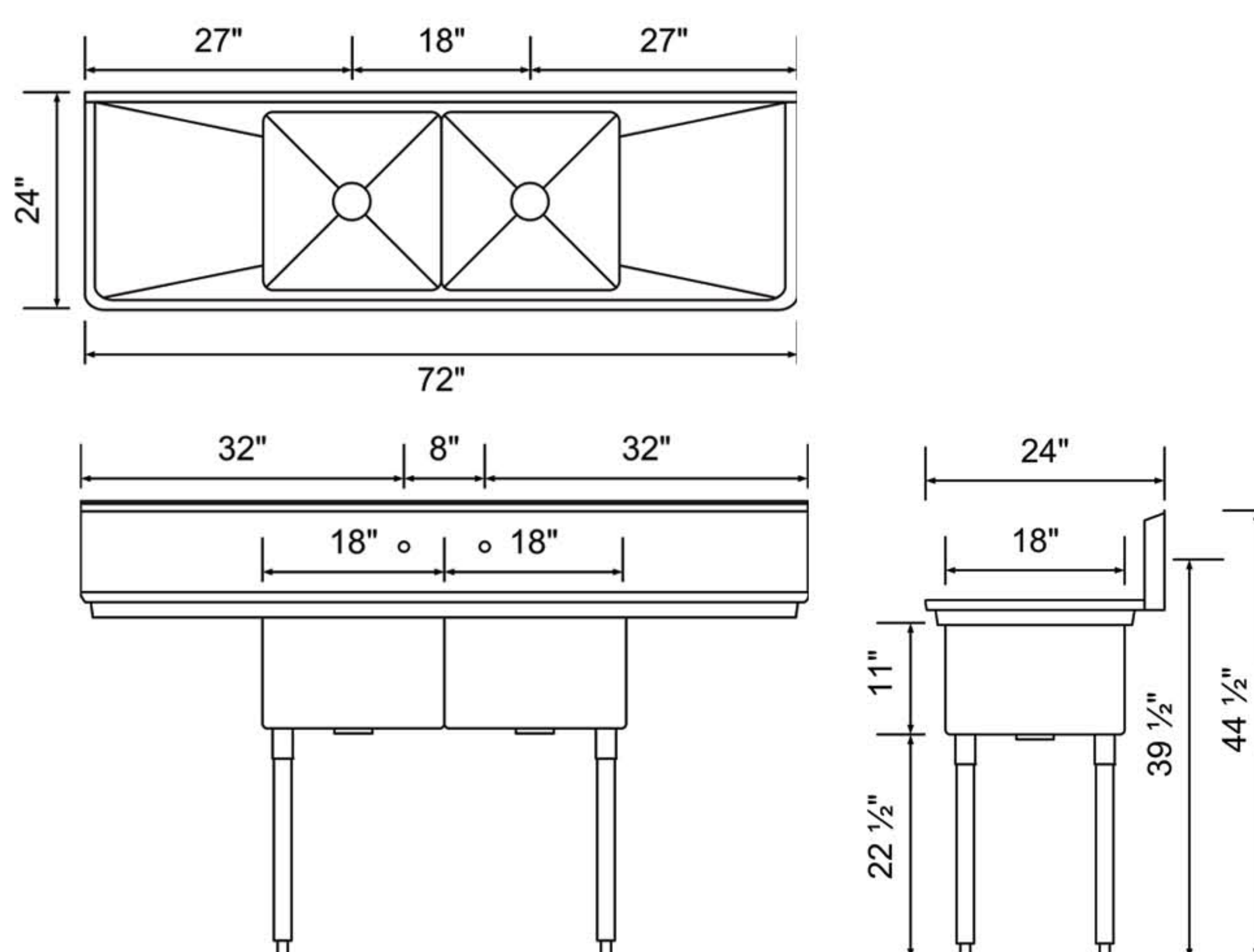
MODEL	PRODUCT	OVERALL SIZE(WxDxH)	BOWL SIZE(WxDxH)	WEIGHT(lbs)
BS2-18/N	2 Compartment No Drain Board	42"x24"x44 1/2"	18"x18"x11"	47
BS2-18/R	2 Compartment 1 Right Drain Board	57"x24"x44 1/2"	18"x18"x11"	61
BS2-18/L	2 Compartment 1 Left Drain Board	57"x24"x44 1/2"	18"x18"x11"	61
BS2-18/2D	2 Compartment(18x18) 2 Drain Boards	72"x24"x44 1/2"	18"x18"x11"	70

* BLUE AIR has the right to change specifications without further notice.

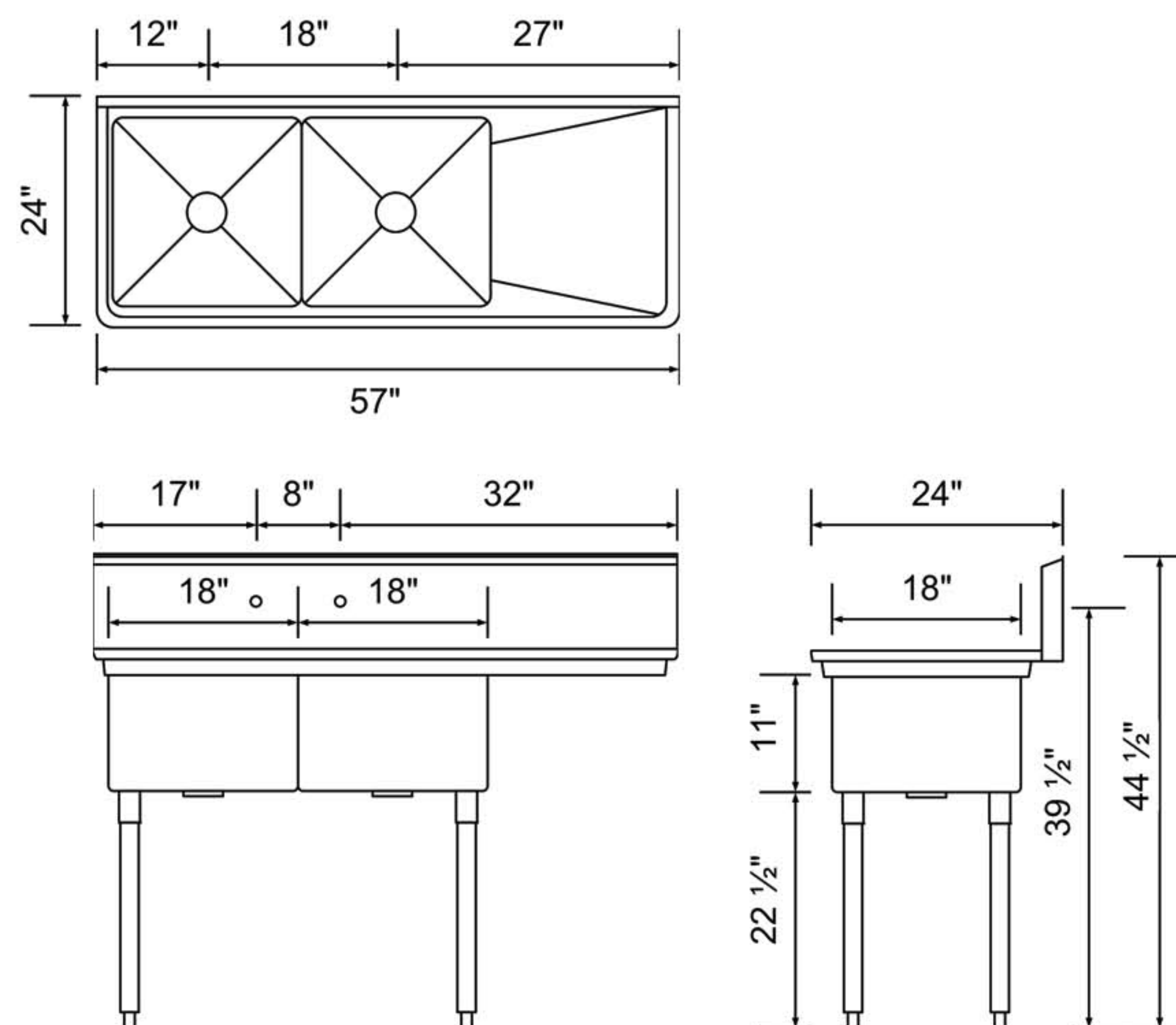
BS2-18/N



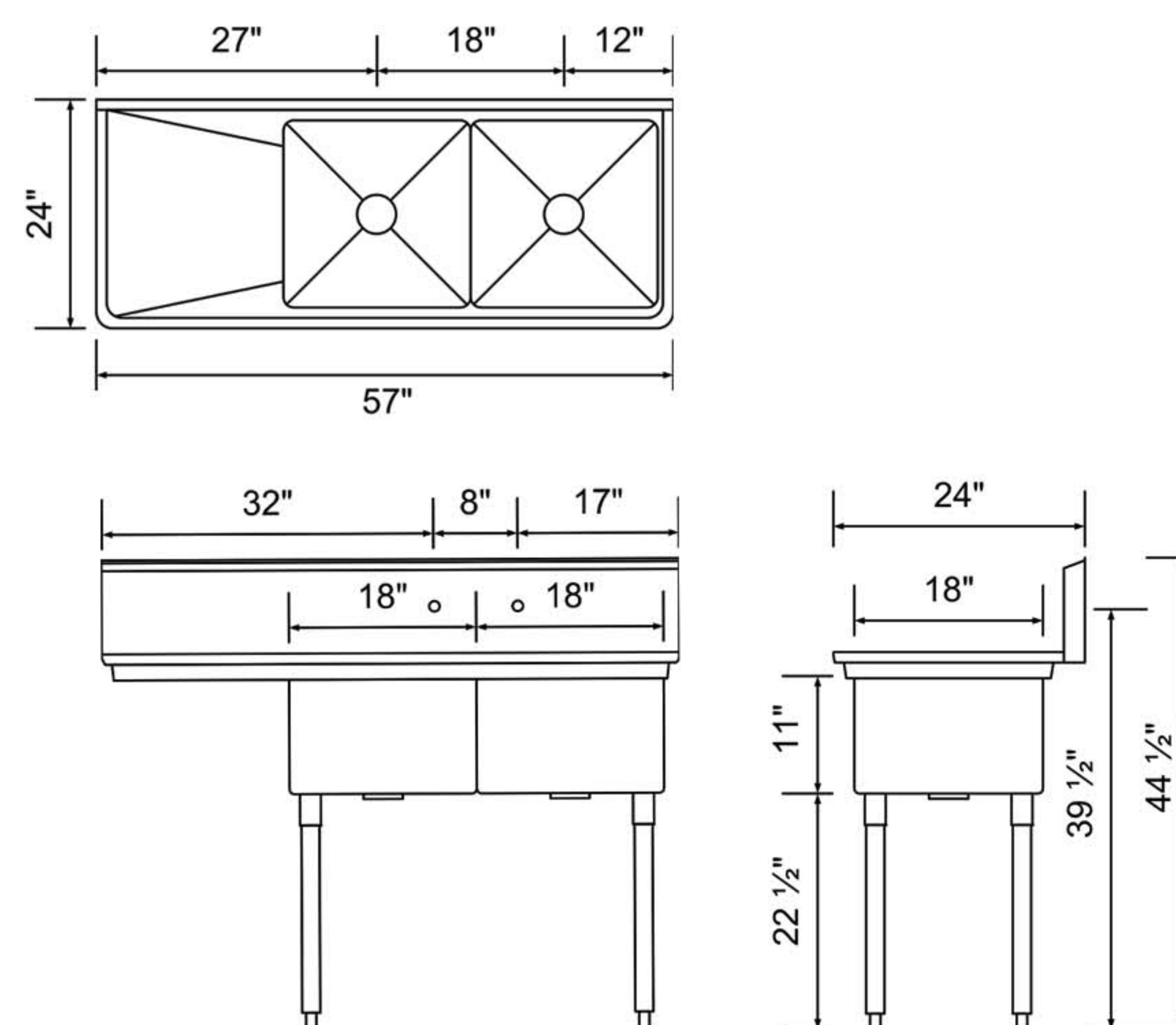
BS2-18/2D



BS2-18/R



BS2-18/L



www.BLUEAIRinc.com

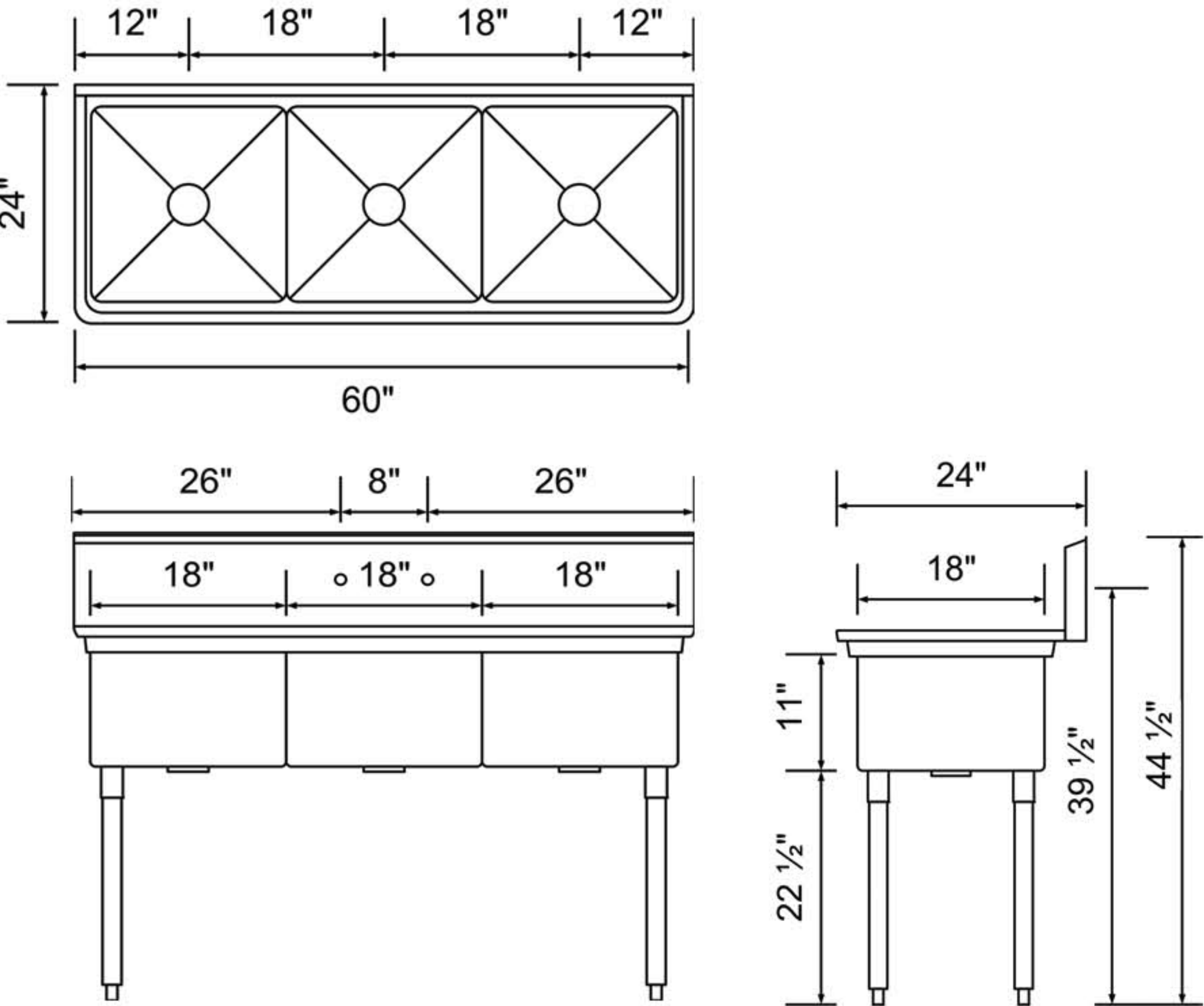
3 COMPARTMENT SINKS

COMMERCIAL STAINLESS STEEL 3 COMPARTMENT SINKS

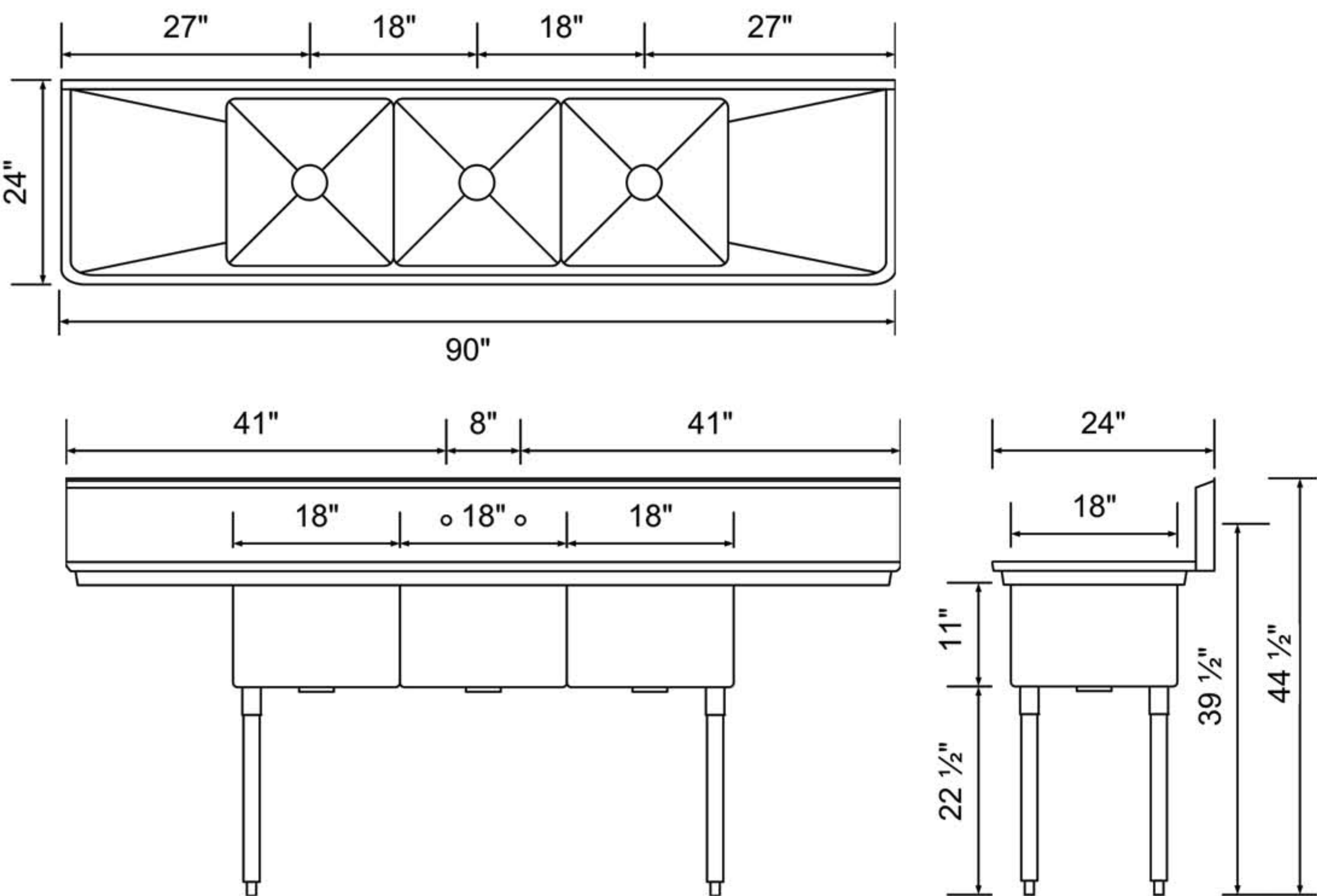
MODEL	PRODUCT	OVERALL SIZE(WxDxH)	BOWL SIZE(WxDxH)	WEIGHT(lbs)
BS3-18/N	3 Compartment No Drain Board	60"x24"x44 1/2"	18"x18"x11"	72
BS3-18/R	3 Compartment 1 Right Drain Board	75"x24"x44 1/2"	18"x18"x11"	81
BS3-18/L	3 Compartment 1 Left Drain Board	75"x24"x44 1/2"	18"x18"x11"	81
BS3-18/2D	3 Compartment(18x18) 2 Drain Boards	90"x24"x44 1/2"	18"x18"x11"	85

* BLUE AIR has the right to change specifications without further notice.

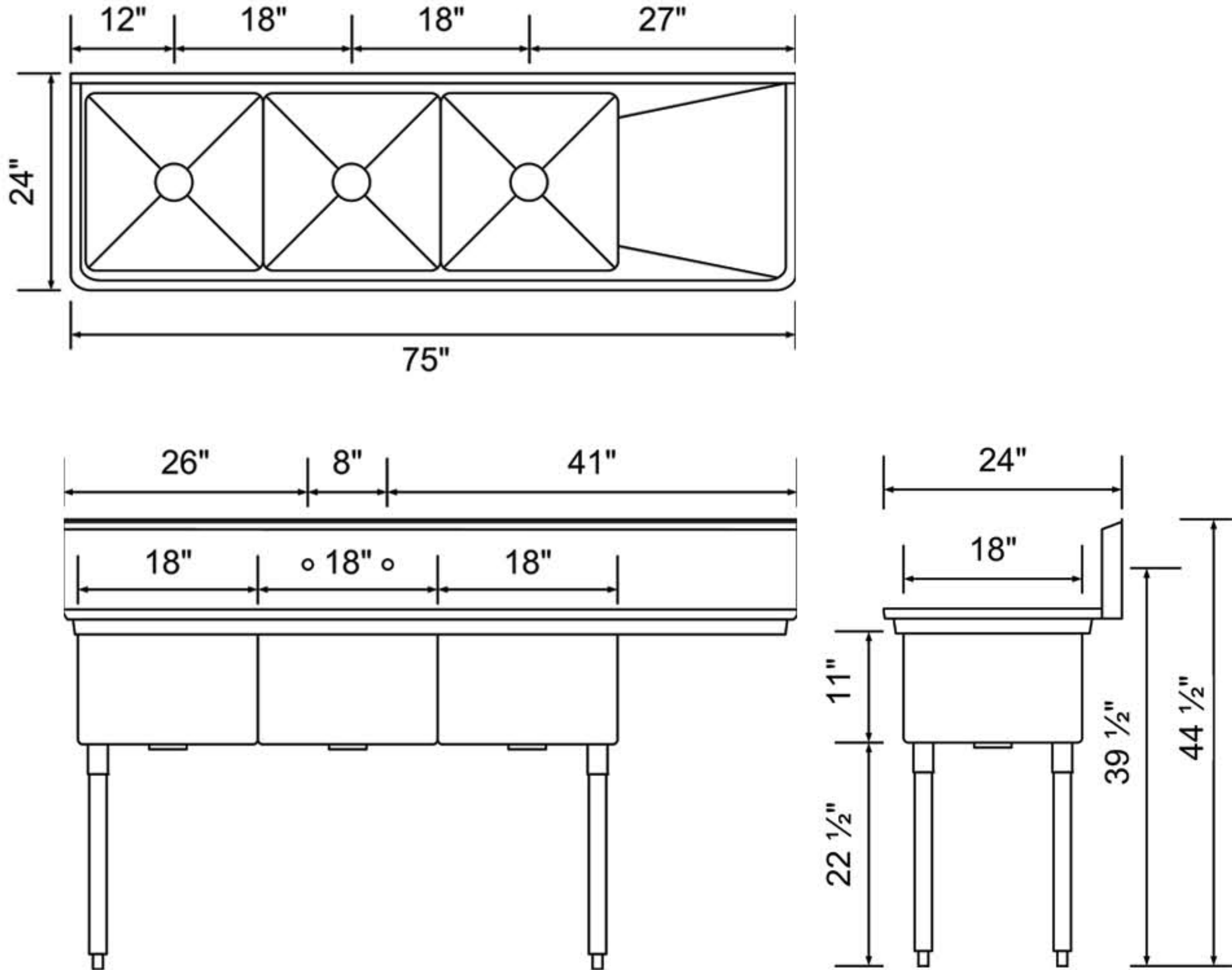
BS3-18/N



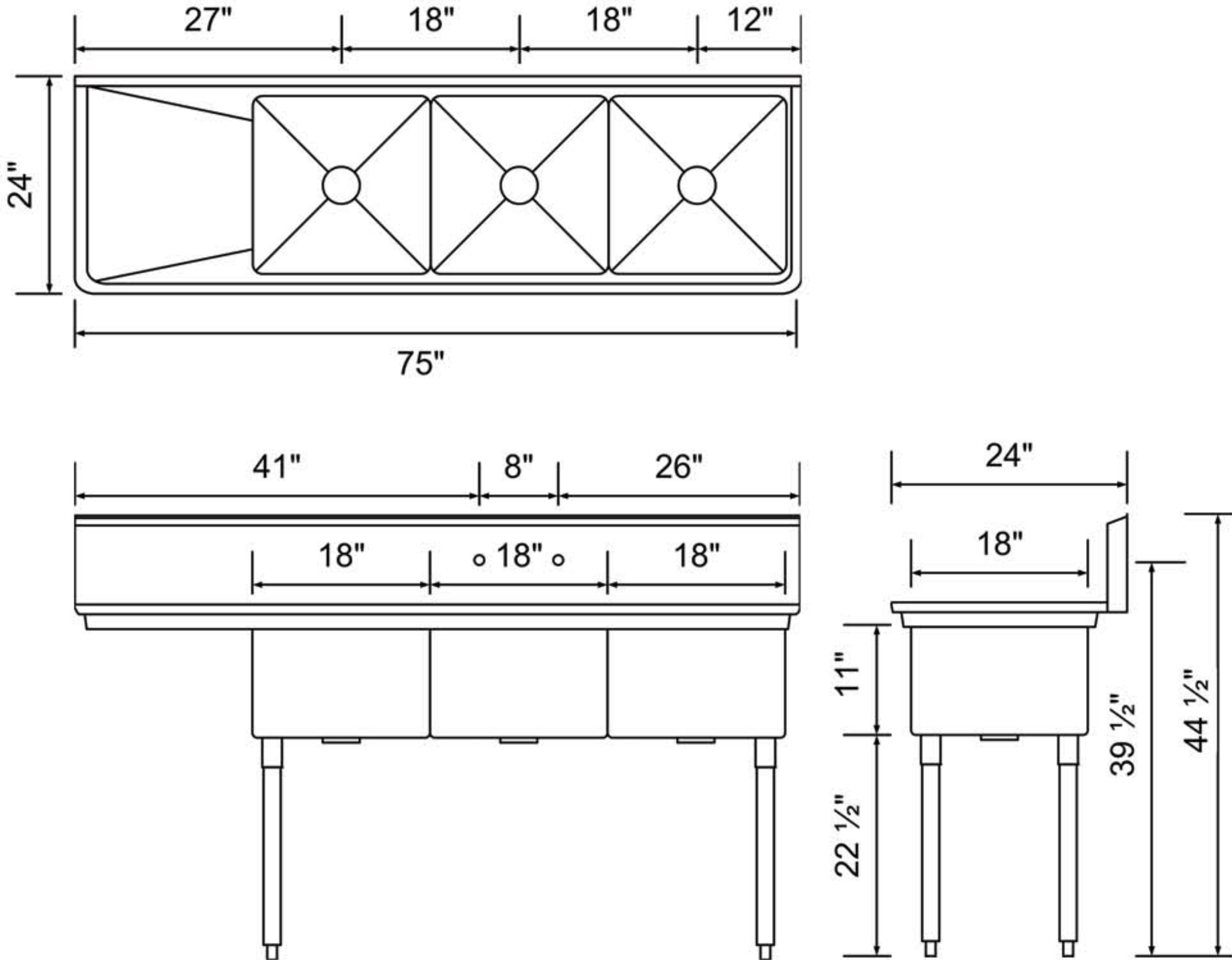
BS3-18/2D



BS3-18/R



BS3-18/L



[www. BLUEAIRinc.com](http://www.BLUEAIRinc.com)

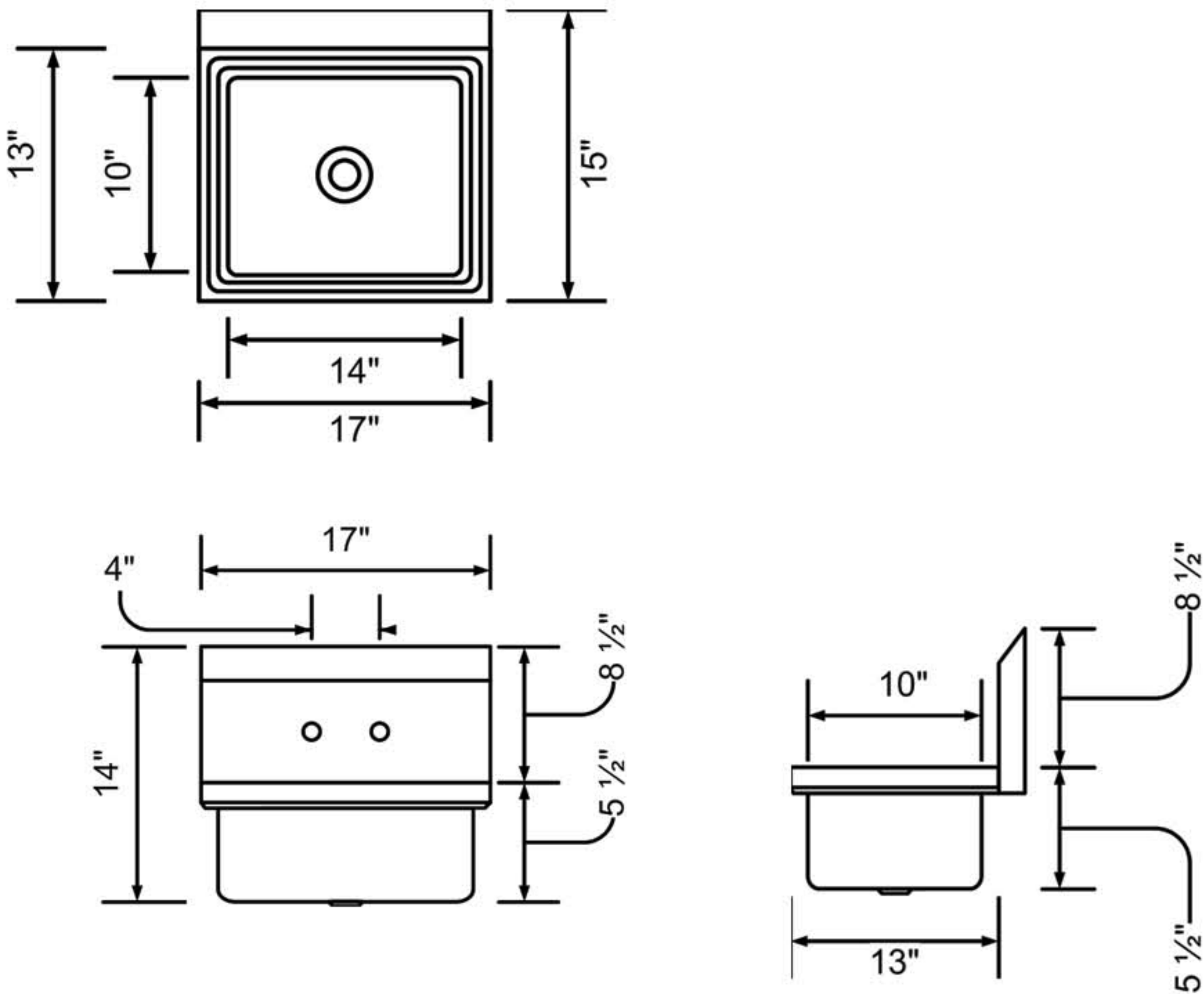
HAND SINK & SINKS

COMMERCIAL HAND SINK & SINKS(24X24)

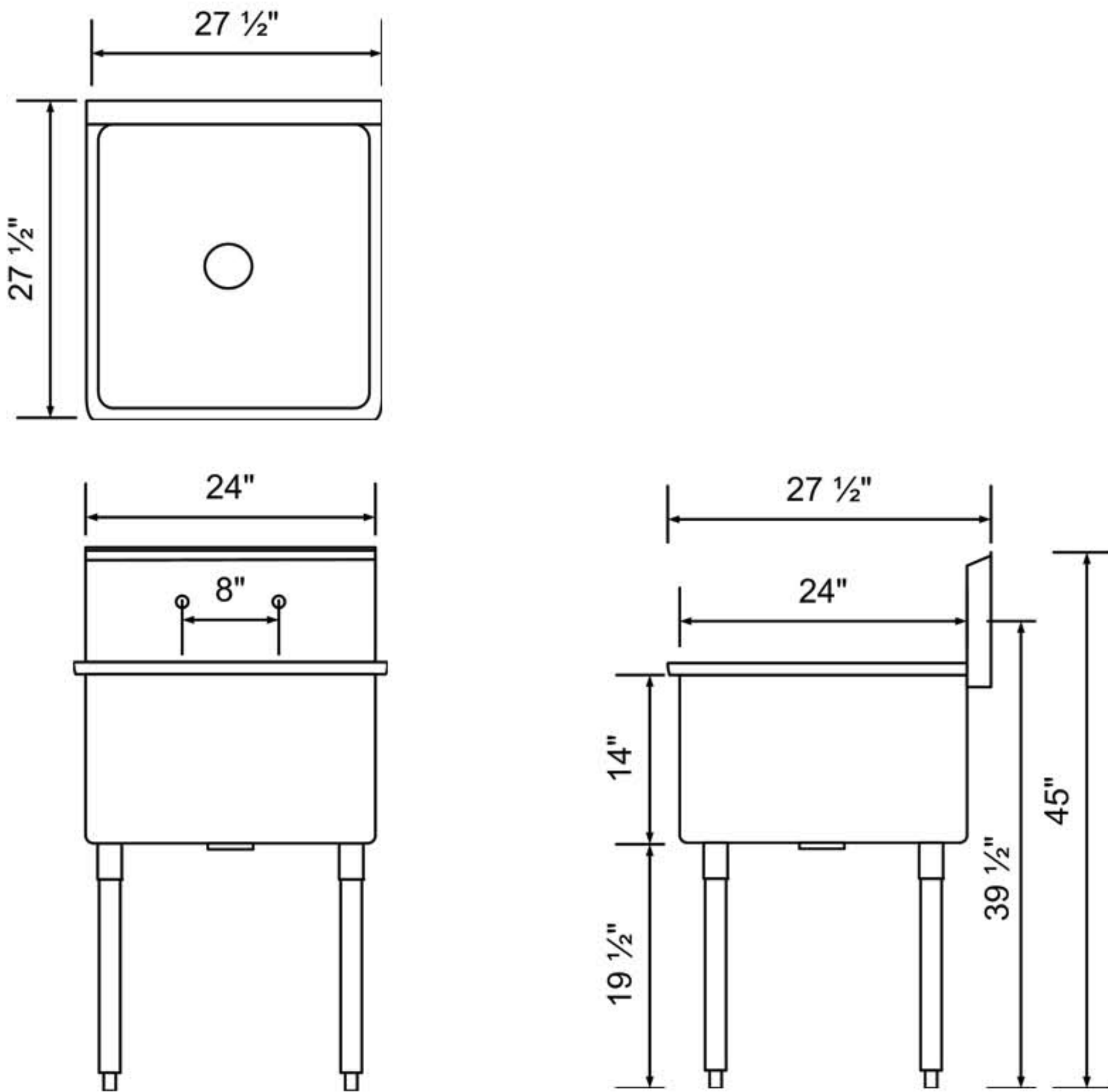
MODEL	PRODUCT	OVERALL SIZE(WxDxH)	BOWL SIZE(WxDxH)	WEIGHT(lbs)
BSH-14	Hand Sink	17"x15"x14"	10"x14"x5 ¹ / ₂ "	15
BSP-24	Prep Sink(24x24)	27 ¹ / ₂ "x27 ¹ / ₂ "x45"	24"x24"x14"	40
BS3-24/2D	3 Compartment(24x24) 2 Drain Boards	120"x30"x44 ¹ / ₂ "	24"x24"x14"	117

* BLUE AIR has the right to change specifications without further notice.

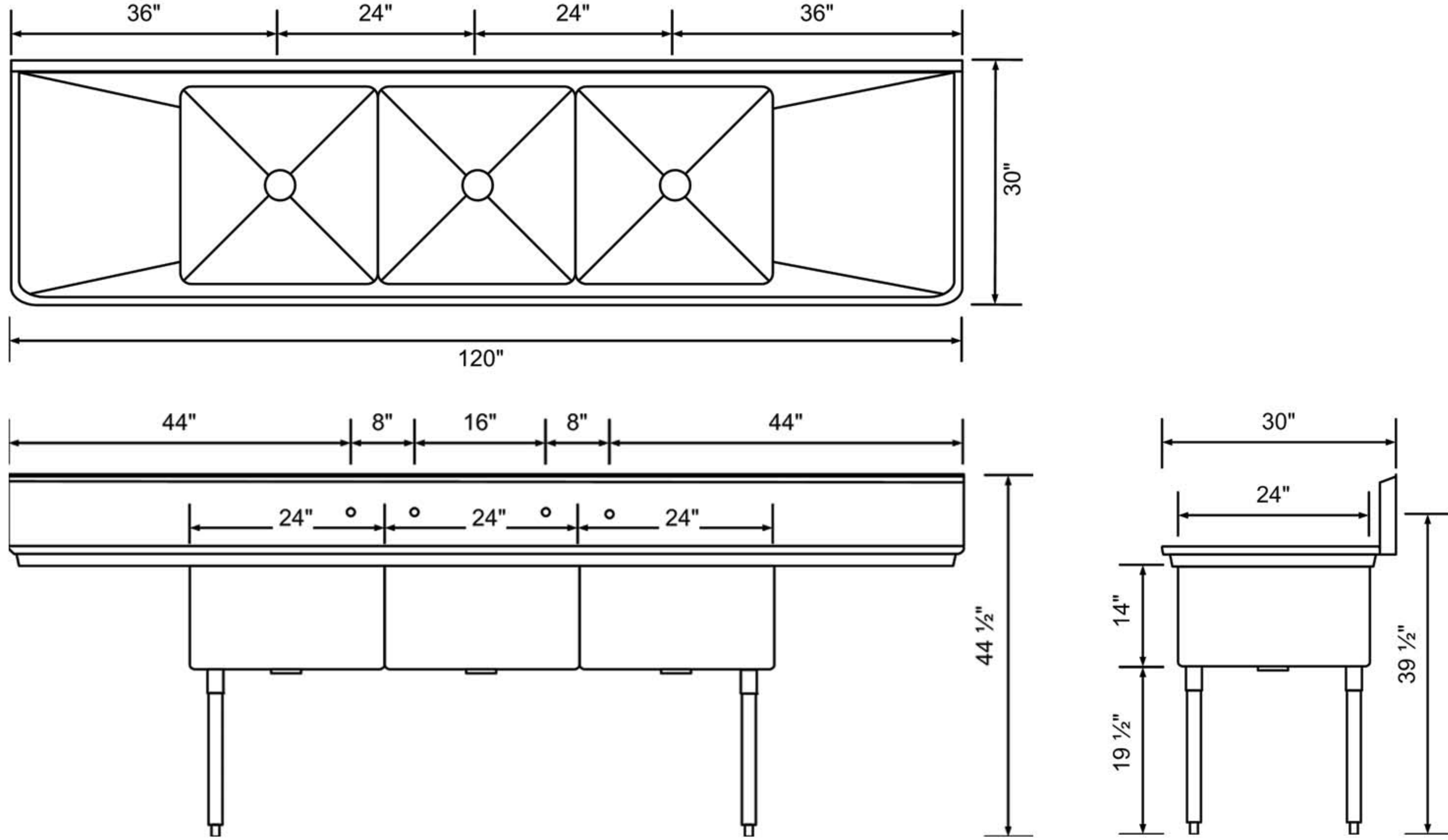
BSH-14



BSP-24



BS3-24/2D



[www. BLUEAIRinc.com](http://www.BLUEAIRinc.com)