



HEAVY DUTY COUNTERTOP GAS OPEN BURNER RANGES



Picture is representative only. Not actual product.

SPECIFICATIONS

Gas counter top open burner ranges with a low profile design are only 13 1/8" tall to range surface making them ideal for use on refrigerated cabinets or countertops.

HDOB Series Ranges are designed to mix and match with the XX or HD Series Char Broilers and the HD Series Counter Top Griddles.

The HDOB open burner counter top ranges feature exceptionally heavy, removable, individual cast iron top grates. Four widths are available including a 12" wide (305mm) two-burner, 24" wide (610mm) four-burner, 36" wide (915mm) six-burner and a 48" wide (1220mm) eight-burner.

The HDOB Series features two high-performance, cast iron, 30,000 BTUH burners located every 12" with lift-off burner heads for easy cleaning and with individual, operator-controlled valves. Patented valve has a low setting of only 5,000 BTUH for simmering and energy savings.

The interior combustion chamber is heavy-duty heat resistant 11- and 16-gauge steel, and is hand-welded for strength and durability.

Standard features include all stainless steel and aluminized exterior, stainless steel landing ledge, optional stainless steel back-splash and large capacity, slide-out stainless steel crumb tray.

Additional features include individual 3/4" NPT rear gas connection in natural or LP gas, pressure regulator and 4" (102mm) NSF approved legs with adjustable bullet feet.

One year limited parts and labor warranty.

Job _____ Item # _____

GAS COUNTER TOP OPEN BURNER RANGES

- Model HDOB-212
- Model HDOB-424
- Model HDOB-636
- Model HDOB-848

STANDARD FEATURES

- 30" deep range top
- Heavy gauge, hand-welded, heat-resistant steel combustion chamber
- 30,000 BTUH burners - two per every 12"
- Up to 240,000 total BTUH in natural or 200,000 in LP gas
- 180° individually operator controlled burner valves for precise control & low-flame standby position
- All steel exterior
- Stainless steel landing ledge
- Low profile, counter top design - only 13 1/8" to range surface
- Stainless steel, slide-out crumb tray
- Heavy-duty 4" NSF approved chrome legs with adjustable bullet feet
- 3/4" (19mm) NPT rear gas connection
- Limited one year parts & labor warranty

OPTIONS & ACCESSORIES

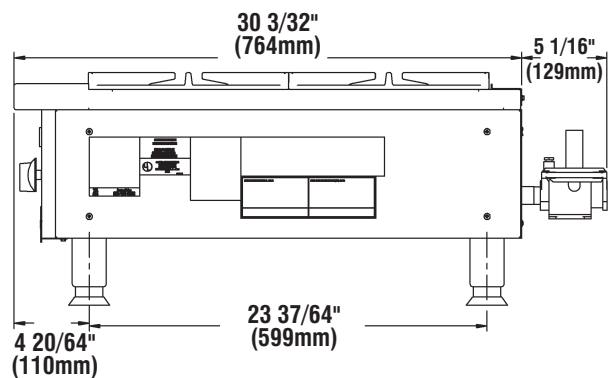
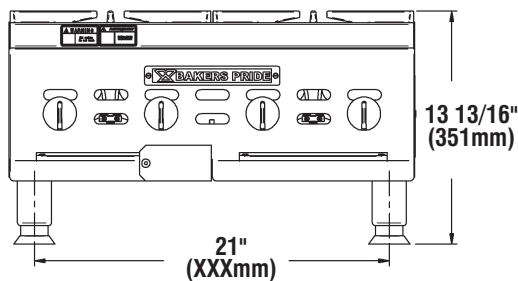
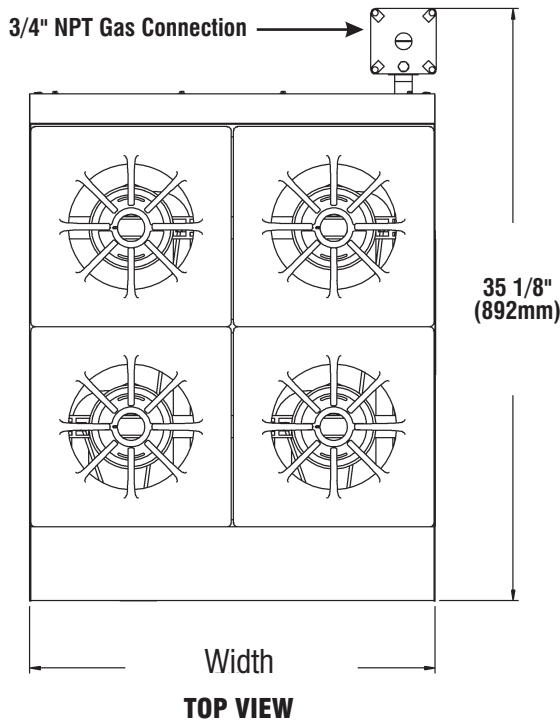
- Stainless steel front-mounted work deck with or without sauce pan cut-outs
- Gas connector hoses
- Equipment stands with our without casters
- Stainless steel backsplash

CERTIFICATIONS



BAKERS PRIDE OVEN COMPANY, INC.
30 Pine Street, New Rochelle, NY 10801
914/576-0200 • 1-800-431-2745 • fax 914/576-0605
www.bakerspride.com

Continuous product improvement is a policy of Bakers Pride Oven Company. Therefore, specifications and design are subject to change without notification



ALL DIMENSIONS NOMINAL

SHIPPING INFORMATION

Model	Shipping Weight		Carton Dimensions						Cubic	
	Lbs.	Kilos	Inches	Width mm	Inches	Depth mm	Inches	Height mm	Feet	Meter
HDOB-212	80	36	16 3/4	425	35	889	20 1/4	514	10.6	.31
HDOB-424	161	75	28 3/4	730	35	889	20 1/4	514	16	.46
HDOB-636	227	103	40 3/4	1035	35	889	20 1/4	514	24.6	.71
HDOB-848	298	135	52 3/4	1340	35	889	20 1/4	514	30.2	.88

GAS SUPPLY

Model	*BTUH	KW	CONNECTION
HDOB-212	60,000	17.57	3/4"
HDOB-424	120,000	35.15	3/4"
HDOB-636	180,000	52.72	3/4"
HDOB-848	240,000	70.30	3/4"

*Natural Gas

SPECIFICATIONS

Model	Grilling Area		# of Burners	Overall Dimensions*					
	in.	mm		Inches	Width mm	Inches	Depth mm	Inches	Height mm
HDOB-212	12 x 23 3/4	305 x 603	2	12	305	30 1/8	765	13 13/16	351
HDOB-424	24 x 23 3/4	610 x 603	4	24	610	30 1/8	765	13 13/16	351
HDOB-636	36 x 23 3/4	914 x 603	6	36	914	30 1/8	765	13 13/16	351
HDOB-848	48 x 23 3/4	1219 x 603	8	48	1219	30 1/8	765	13 13/16	351

*Height includes 4" (102 mm) standard legs to range surface

MINIMUM CLEARANCES

	Non-combustible construction only	
	Inches	mm
Right	0	0
Left	0	0
Rear	0	0

• From non-combustible construction
• Install only with non-combustible material above range top



BAKERS PRIDE OVEN COMPANY, INC.
30 Pine Street, New Rochelle, NY 10801
914/576-0200 • 1-800-431-2745 • fax 914/576-0605
www.bakerspride.com

Continuous product improvement is a policy of Bakers Pride Oven Company. Therefore, specifications and design are subject to change without notification

HEAVY-DUTY-HDOB — TSW:01/09