



Item No. \_\_\_\_\_

# MINI DOUGH MOULDER BMMDM01 BMMDM02

## Features:

- Easy to use
- One person operation
- No moulding plates required
- Moveable hand powder box
- Specially designed for sticky dough
- Cover can be opened for quick and easy cleaning and maintenance
- Caster equipped for convenient moving
- Adjustable in any direction for users preference

## Other specifications:

- BMMDM01 features a 13" belt width
- BMMDM02 features a 19" belt width
- Capacity per hour is 3,000
- 0 to 18 mm variable roller gap
- BMMDM01 Moulding rang of 30 to 400 grams
- BMMDM02 Moulding range of 50 to 1200 grams



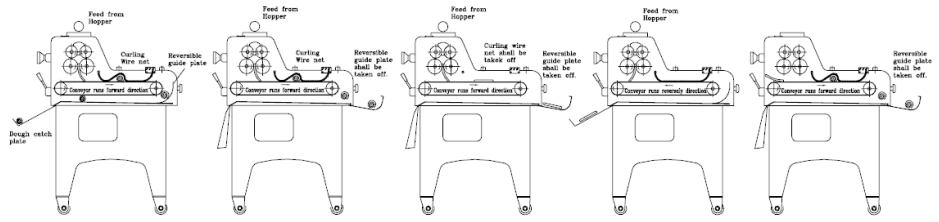
The BakeMax® Mini Dough Moulders work especially well for sticky dough which contains high percentages of water, sugar, and margarine. Cover can be opened for quick, easy cleaning and maintenance.



Think Quality, Value, Service.....Think



# MINI DOUGH MOULDER BMMDM01 BMMDM02

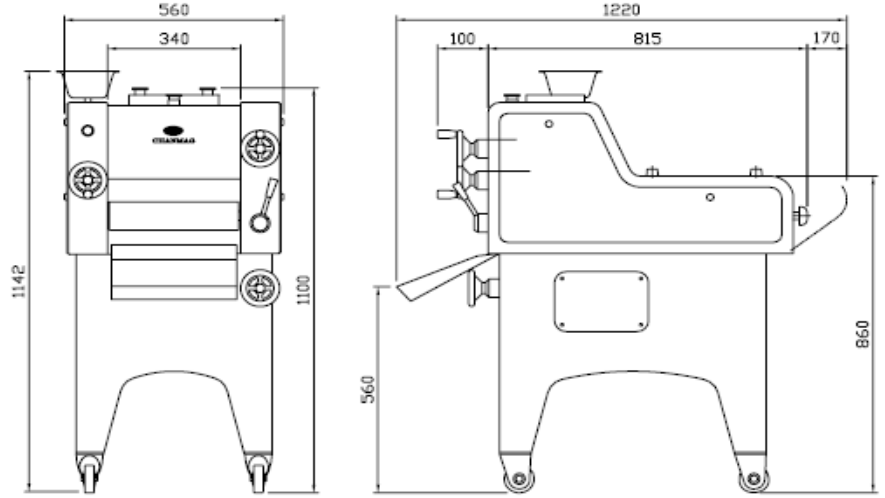


### Dimensions

Model	External	Belt Width
BMMDM01	45"D x 22"W x 48"H	13"
BMMDM02	45"D x 30"W x 46"H	19"

### Capacity Chart

Model	Dough Weight	Pcs per hour
BMMDM01	30 to 400g	3000 pcs/hr
BMMDM02	50 to 1200g	3000 pcs/hr



### Electrical Information

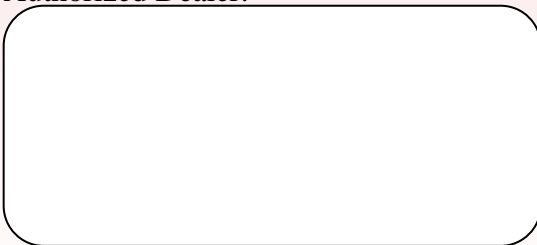
Model	Voltage	Phase	Amps	Hertz	NEMA
BMCS01	110	1	4	60	5-15P
BMMDM02	110	1	7	60	5-15P

### Shipping Information

Model	Net Weight (kg)	Crated Weight(kg)	Crate Dimensions (D x W x H)
BMCS01			
BMCS05			



Authorized Dealer:



BakeMax Manufacturing, Inc.  
170 Millenium Blvd, Moncton, NB, E1C 1M8  
Toll Free: 1-800-565-BAKE  
Telephone: 1-506-858-8990  
Fax: 1-506-859-6929

