



Item No. \_\_\_\_\_

## 40qt PLANETARY MIXER BMPM040

### Features:

- Gear driven.
- Professional table top model.
- 1.5 HP motor offers enough power to mix stiffer dough and larger batches.
- All metal and die-cast aluminum body.
- Transmission is made of hardened alloy steel gears.
- All shafts are mounted in ball bearings.
- Automatic electronic 3 speed control.
- Planetary mixing action ensures perfect results.
- Simple hand lift for tool change and bowl removal.

### Other specifications:

- 40qt stainless steel bowl.
- 30 Minute digital timer.
- Includes dough hook, flat beater and wire whip.
- Safety guard is standard for model BMPM040 and provides with automatic shut-off when guard is opened at any speed.



BakeMax<sup>®</sup> Planetary Mixers provide durability, long life and excellent mixing performance. A wide range of sizes to choose from provides clients with the exact mixer for their particular needs. They are safe, easy to use and capable of a broad range of dough and food mixing applications.

Think Quality, Value, Service.....Think

**BakeMax<sup>®</sup>**

# 40qt PLANETARY MIXER BMPM040

## Volume

External and Internal Dimensions (D x W x H)

Model	External
BMPM040	24.5" x 23.5" x 48"

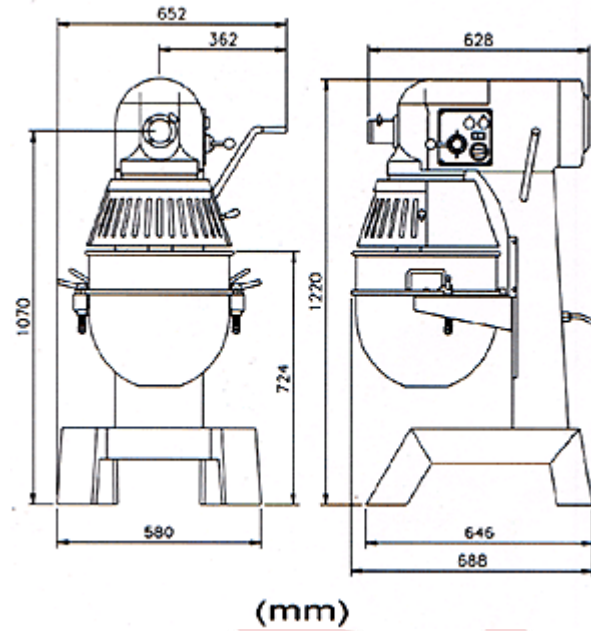
## Capacity Chart (approx.) 40 Quart

Product	Tool	Amount
Egg White	Whip	1.75 qt
Whipping Cream	Whip	9 qts
Mayonnaise (oil)	Whip	13 qts
Layer cake (egg/sugar)	Beater	45 lbs
Mashed Potatoes	Beater	30 lbs
Pound Cake	Beater	40 lbs
Bread Dough (Light)	Hook*	25 lbs (Flour)
Bread Dough (Heavy)	Hook*	20 lbs Flour
Whole Wheat Dough	Hook**	25 lbs Flour

\*1<sup>st</sup> speed only \*\* 1<sup>st</sup> and 2<sup>nd</sup> speed only

1 gallon of water weights 8.33 lbs.

If high gluten flour is used, reduce above dough batch size by 10 %



(mm)

## Electrical Information

Model	Voltage	Phase	Amps	Watts	Hertz	NEMA
BMPM040	110	1	24	2640	50	L5-30P



Authorized Dealer:

BakeMax Manufacturing, Inc.  
170 Millenium Blvd, Moncton, NB, E1C 1M8  
Toll Free: 1-800-565-BAKE  
Telephone: 1-506-858-8990  
Fax: 1-506-859-6929

Think Quality, Value, Service.....Think

**BakeMax**<sup>®</sup>

Toll Free: 1-800-565-BAKE

Web Site: [www.bakemax.com](http://www.bakemax.com)

E-mail: [sales@bakemax.com](mailto:sales@bakemax.com)

Printed in Canada