



ARCHITECTURAL HIGH PERFORMANCE 10

Ambient (Unheated) Air Curtain

Data Sheet

For Door Heights To 10' (environmental separation) and 8' (insect control)

STANDARD CONSTRUCTION

- 12 ¼" high x 21 ¼" deep
- 1/2 hp three speed motor(s)
- Factory installed fan speed switch
- Clear satin anodized aluminum exterior (Optional: Custom Color or Stainless)
- Wall & Top Mounting
- High efficiency, low noise Pro-V Nozzle
- Optional: Filter (washable)



Berner International Corporation certifies that the air curtains shown herein are licensed to bear the AMCA Seal. The ratings shown are based on tests and procedures performed in accordance with AMCA Publication 211 and comply with the requirements of the AMCA Certified Ratings Program. Rated data shown is for base (unheated) units. The AMCA Certified Ratings Seal applies to airflow rate, average outlet velocity, outlet velocity uniformity, velocity projection and power rating at free delivery only.

5 Year Limited Warranty



MODEL	Nozzle Width (in)	Max Vel. at Nozzle (fpm)	Avg. Outlet Vel. (fpm)	Air Volume (cfm)	Outlet Vel. Uniformity	Power Rating (kW)	Motor(s) @ hp	Net Wt. (lbs)
AHC10-1036A	36.75	3,977	2,110	1,346	91%	0.52	1 @ ½	65
AHC10-1042A	42.75	4,095	1,873	1,390	86%	0.52	1 @ ½	68
AHC10-1048A	48.75	3,838	1,674	1,417	71%	0.52	1 @ ½	70
AHC10-2048A	48.75	4,166	2,240	1,896	92%	0.71	2 @ ½	95
AHC10-2060A	60.75	3,950	2,408	2,540	92%	1.01	2 @ ½	125
AHC10-2072A	74.50	3,977	2,081	2,692	91%	1.04	2 @ ½	130
AHC10-2084A	86.50	4,095	1,851	2,780	86%	1.04	2 @ ½	140
AHC10-2096A	98.50	3,838	1,657	2,834	71%	1.04	2 @ ½	145
AHC10-3096A	98.50	4,166	2,217	3,792	92%	1.42	3 @ ½	165
AHC10-3108A	112.25	3,977	2,072	4,038	91%	1.56	3 @ ½	170
AHC10-3120A	118.25	3,977	2,010	4,126	91%	1.56	3 @ ½	175

NOTE: Operation at 50 Hz will generate approximately a 17% reduction in air performance. See sheet EP-210 for amp draws/total load requirements.

MODEL NUMBER CONFIGURATION

AHC10-1 036 A A-R-SS

Series	# of Motors	Opening Width	Heat	Voltage	Opt. Switch	Opt. Cabinet Finish
AHC10	1, 2, 3	036" - 120"	A=Ambient	*A=120/1/60 B=208/1/60 J=240/1/60 V=220/1/50	Remote Switch	SS=Stainless Steel CC=Custom Color

*Suitable for 50hz

VELOCITY PROFILE: Model AHC10-1036A			
Distance from Nozzle (ft)	3	4	5
Core Velocity (fpm)	1600	1367	1233

Sound level measured 10' (3m) from the unit in free field:
 1 motor: Low/Medium/High Speed: 54/55/56 dBA
 2 motors: Low/Medium/High Speed: 57/58/59 dBA
 3 motors: Low/Medium/High Speed: 60/61/62 dBA
 Sound data is not AMCA certified.

Berner reserves the right to alter specifications without prior notice.



ARCHITECTURAL HIGH PERFORMANCE 10

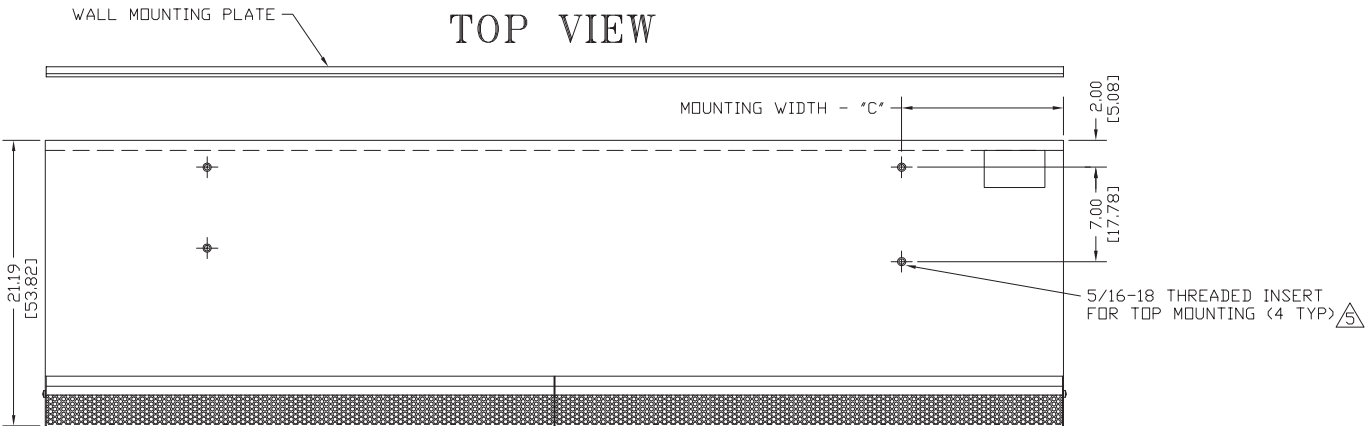
Ambient (Unheated) Air Curtain Electrical Performance Sheet

MODEL	# CKTS	120/1/60 (voltage code A) MOTOR AMP DRAW = 7.2 each		# CKTS	208/1/60 (voltage code B) or 220/1/50 (voltage code V) MOTOR AMP DRAW = 4.0 each		# CKTS	240/1/60 (voltage code J) MOTOR AMP DRAW = 4.0 each	
		AMPS PER CIRCUIT	BREAKER RATING PER CIRCUIT		AMPS PER CIRCUIT	BREAKER RATING PER CIRCUIT		AMPS PER CIRCUIT	BREAKER RATING PER CIRCUIT
AHC10-1036A AHC10-1042A AHC10-1048A	1	7.2	15	1	4.0	15	1	4.0	15
AHC10-2048A AHC10-2060A AHC10-2072A AHC10-2084A AHC10-2096A	1	14.4	20	1	8.0	15	1	8.0	15
AHC10-3096A AHC10-3108A AHC10-3120A	1	21.6	30	1	12.0	15	1	12.0	15

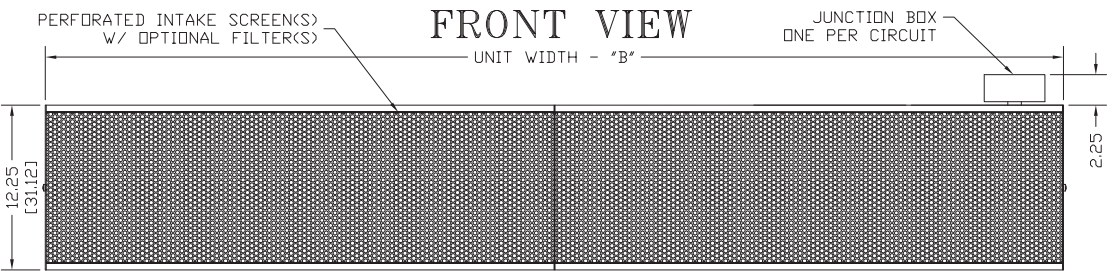
Berner reserves the right to alter specifications without prior notice.

AHC10 AMBIENT SYSTEM

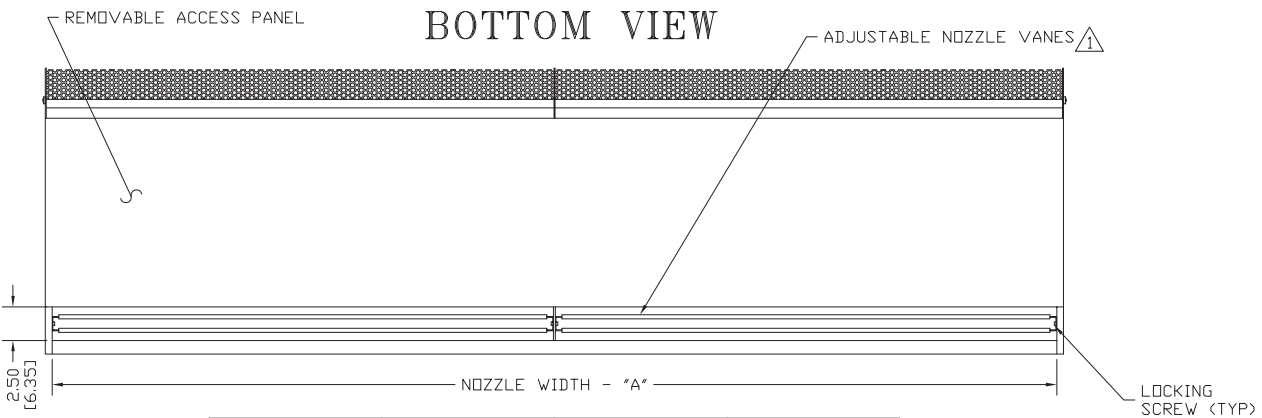
TOP VIEW



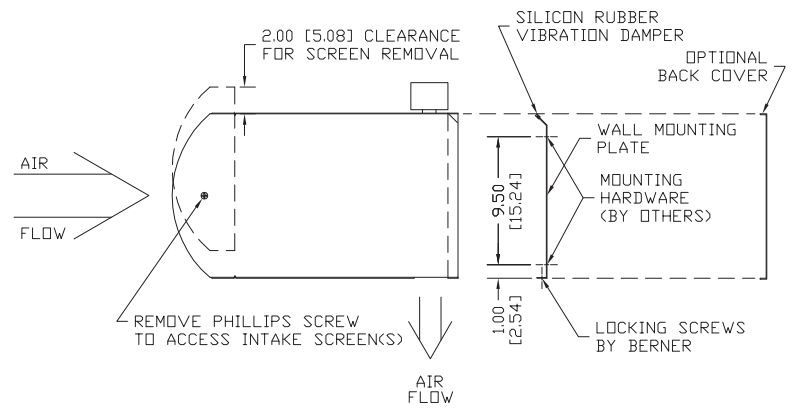
FRONT VIEW



BOTTOM VIEW



END VIEW



NOTES:

- ¹ AIR CURTAIN MUST BE INSTALLED SO AIR STREAM IS NOT OBSTRUCTED WHEN DEFLECTED 20° TO EITHER SIDE OF \square .
- ² ELECTRICAL CONNECTIONS TO BE FLEXIBLE.
- ³ FIELD VERIFY DIMENSIONS.
- ⁴ ANCHORS TO SUPPORTING STRUCTURE BY OTHERS.
- ⁵ ADEQUACY OF SUPPORTING STRUCTURE IS TO BE VERIFIED BY A PROFESSIONAL STRUCTURAL ENGINEER.
- ⁶ LETTER "A" IN MODEL NUMBER DESIGNATES AMBIENT UNIT.
- ⁷ DIMENSIONS IN INCHES [CENTIMETERS].

MODEL ⁶	NOZZLE WIDTH "A"	UNIT WIDTH "B"	MOUNTING WIDTH "C"
AHC10-1036A	36.75 [93.35]	37.75 [95.89]	8.00 [20.32]
AHC10-1042A	42.75 [108.59]	43.75 [111.13]	8.00 [20.32]
AHC10-1048A	48.75 [123.83]	49.75 [126.37]	10.00 [25.40]
AHC10-2048A	48.75 [123.83]	49.75 [126.37]	8.00 [20.32]
AHC10-2060A	60.75 [153.31]	61.75 [156.85]	8.00 [20.32]
AHC10-2072A	74.50 [189.23]	75.50 [191.77]	12.00 [30.48]
AHC10-2084A	86.50 [219.71]	87.50 [217.17]	12.00 [30.48]
AHC10-2096A	98.50 [250.19]	99.50 [252.73]	27.00 [68.58]
AHC10-3096A	98.50 [250.19]	99.50 [252.73]	27.00 [68.58]
AHC10-3108A	112.25 [285.12]	113.25 [287.66]	27.00 [68.58]
AHC10-3120A	118.25 [300.36]	119.25 [302.90]	27.00 [68.58]

PROJECT		
LOCATION		
ARCHITECT		
ENGINEER		
DWG. NO.	AHC10-AMB	TITLE: BERNER
DATE	21MAY14	MODEL AHC10 AIR CURTAIN AMBIENT SYSTEM
BY	S. Beil	
REPLACES	-	
BY	-	BERNER INTERNATIONAL CORP. NEW CASTLE, PA.