

For Door Heights To 10' (environmental separation)

STANDARD CONSTRUCTION

- 12 ¼" high x 21 ¼" deep
- 1/2 hp three speed motor(s)
- Factory installed fan speed/heat switch
- Clear satin anodized aluminum exterior (Optional: Custom Color or Stainless)
- Wall & Top Mounting
- High efficiency, low noise Pro-V Nozzle

- Open helical element with point suspension
 - Thermal overload protection
 - Galvanized steel frame
- Alternate kW: see sheet EP-212

2 Year Limited Warranty



MODEL	Nozzle Width (in)	Max Vel. at Nozzle (fpm)	Avg. Outlet Vel. (fpm)	Air Volume (cfm)	Outlet Vel. Uniformity	Power Rating (kW)	Motor(s) @ hp	Max. Electric Capacity (kW)	Heater Output (MBH)	Air Temp. Rise (°F)	Net Wt. (lbs)
AHC10-1036E	36.75	3,977	2,110	1,346	91%	0.52	1 @ ½	9.5	32.4	22°	71
AHC10-1042E	42.75	4,095	1,873	1,390	86%	0.52	1 @ ½	9.5	32.4	21°	74
AHC10-1048E	48.75	3,838	1,674	1,417	71%	0.52	1 @ ½	9.5	32.4	21°	76
AHC10-2048E	48.75	4,166	2,240	1,896	92%	0.71	2 @ ½	12.5	42.7	21°	107
AHC10-2060E	60.75	3,950	2,408	2,540	92%	1.01	2 @ ½	16.0	54.6	20°	137
AHC10-2072E	74.50	3,977	2,081	2,692	91%	1.04	2 @ ½	19.0	64.8	22°	142
AHC10-2084E	86.50	4,095	1,851	2,780	86%	1.04	2 @ ½	19.0	64.8	21°	152
AHC10-2096E	98.50	3,838	1,657	2,834	71%	1.04	2 @ ½	19.0	64.8	21°	157
AHC10-3096E	98.50	4,166	2,217	3,792	92%	1.42	3 @ ½	25.0	85.3	21°	183
AHC10-3108E	112.25	3,977	2,072	4,038	91%	1.56	3 @ ½	28.5	97.3	22°	188
AHC10-3120E	118.25	3,977	2,010	4,126	91%	1.56	3 @ ½	28.5	97.3	22°	193

NOTE:

1. Operation at 50 Hz will generate approximately a 17% reduction in air performance.
2. Performance data based on AMCA licensed data from unheated units.

See sheet EP-212 for amp draws/total load requirements and alternate kW.

MODEL NUMBER CONFIGURATION

AHC10-1 036 E B-R-SS

Series	# of Motors	Opening Width	Heat	Voltage	Opt. Switch	Opt. Cabinet Finish
AHC10	1, 2, 3	036" - 120"	E=Electric Heated	*B=208/1/60 *J=240/1/60 *V=220/1/50 K=120/480 L=120/600 S=208/480 M=208/600 U=240/480 N=240/600 X=208/3/60 Y=240/3/60 O=380/3/50	Remote Switch	SS=Stainless Steel CC=Custom Color

*Max 16kW
See sheet EP-212 for available lengths and voltages

Sound level measured 10' (3m) from the unit in free field:
 1 motor: Low/Medium/High Speed: 54/55/56 dBA
 2 motors: Low/Medium/High Speed: 57/58/59 dBA
 3 motors: Low/Medium/High Speed: 60/61/62 dBA

Berner reserves the right to alter specifications without prior notice.



ARCHITECTURAL HIGH PERFORMANCE 10

Electric Heated Air Curtain

Electrical Performance Sheet

MODEL	*kW option	Temp Rise °F	208/1/60 (voltage code B) or 220/1/50 (voltage code V) MOTOR AMP DRAW = 4.0 each			240/1/60 (voltage code J) MOTOR AMP DRAW = 4.0 each			208/3/60 (voltage code X) MOTOR AMP DRAW = 4.0 each			240/3/60 (voltage code Y) MOTOR AMP DRAW = 4.0 each		
			# CKTS	AMPS PER CIRCUIT (including motor)	BREAKER RATING PER CIRCUIT	# CKTS	AMPS PER CIRCUIT (including motor)	BREAKER RATING PER CIRCUIT	# CKTS	AMPS PER CIRCUIT (including motor)	BREAKER RATING PER CIRCUIT	# CKTS	AMPS PER CIRCUIT (including motor)	BREAKER RATING PER CIRCUIT
AHC10-1036E AHC10-1042E AHC10-1048E	9.5	22	1	49.7	60	1	43.6	60	1	30.4	40	1	26.9	35
	7.1	16	1	38.3	50	1	33.7	45	1	23.8	30	1	21.1	30
	5.4	12	1	30	40	1	24.8	35	1	19.0	25	1	17.0	25
AHC10-2048E	12.5	21	2	28.0/40.0	35/60	2	25.4/34.7	35/45	1	42.7	60	1	38.1	60
	9.4	16	2	23.0/30.1	30/40	1	47.2	60	1	34.1	45	1	30.6	45
	7.1	12	1	42.1	60	1	37.6	50	1	27.7	35	1	25.1	35
AHC10-2060E	16	20	-	N/A	N/A	-	N/A	N/A	1	52.4	60	1	46.5	60
	12	15	-	N/A	N/A	-	N/A	N/A	1	41.3	60	1	36.9	50
	8.4	11	-	N/A	N/A	-	N/A	N/A	1	31.3	40	1	28.2	35
AHC10-2072E AHC10-2084E AHC10-2096E	19	22	-	N/A	N/A	-	N/A	N/A	2	34.4/26.4	45/35	2	30.9/22.9	40/30
	14.2	16	-	N/A	N/A	-	N/A	N/A	2	27.8/19.8	35/25	2	25.1/17.1	35/25
	10.8	12	-	N/A	N/A	-	N/A	N/A	1	38.0	50	1	34.0	45
AHC10-3096E AHC10-3108E	25	21	-	N/A	N/A	-	N/A	N/A	2	46.7/34.7	60/45	2	42.1/30.1	60/40
	18.8	16	-	N/A	N/A	-	N/A	N/A	2	38.1/26.1	50/35	2	34.6/22.6	45/30
	14.2	12	-	N/A	N/A	-	N/A	N/A	2	31.7/19.7	40/25	2	29.1/17.1	35/25
AHC10-3108E AHC10-3120E	28.5	23	-	N/A	N/A	-	N/A	N/A	3	38.4/26.4/26.4	50/35/35	2	34.9/45.7	45/60
	21.3	17	-	N/A	N/A	-	N/A	N/A	2	31.8/39.7	40/50	2	29.1/34.2	35/45
	16.2	13	-	N/A	N/A	-	N/A	N/A	2	27.0/30.0	35/40	2	25.0/26.0	30/35



ARCHITECTURAL HIGH PERFORMANCE 10

Electric Heated Air Curtain

Electrical Performance Sheet

MODEL	*kW option	Temp Rise °F	120/1/60 - 480/3/60 (voltage code K) 120V MOTOR AMP DRAW = 7.2 each					208/1/60 - 480/3/60 (voltage code S) 208V MOTOR AMP DRAW = 4.0 each					240/1/60 - 480/3/60 (voltage code U) 240V MOTOR AMP DRAW = 4.0 each				
			# CKTS	AMPS PER CIRCUIT		BREAKER RATING PER CIRCUIT		# CKTS	AMPS PER CIRCUIT		BREAKER RATING PER CIRCUIT		# CKTS	AMPS PER CIRCUIT		BREAKER RATING PER CIRCUIT	
				120V/1	480V/3	120V/1	480V/3		208V/1	480V/3	208V/1	480V/3		240V/1	480V/3	240V/1	480V/3
AHC10-1036E AHC10-1042E AHC10-1048E	9.5	22	2	7.2	11.4	15	15	2	4.0	11.4	15	15	2	4.0	11.4	15	15
	7.1	16	2	7.2	8.5	15	15	2	4.0	8.5	15	15	2	4.0	8.5	15	15
	5.4	12	-	N/A	N/A	N/A	N/A	-	N/A	N/A	N/A	N/A	-	N/A	N/A	N/A	N/A
AHC10-2048E	12.5	21	2	14.4	15.0	20	20	2	8.0	15.0	15	20	2	8.0	15.0	15	20
	9.4	16	2	14.4	11.3	20	15	2	8.0	11.3	15	15	2	8.0	11.3	15	15
	7.1	12	-	N/A	N/A	N/A	N/A	-	N/A	N/A	N/A	N/A	-	N/A	N/A	N/A	N/A
AHC10-2060E	16	20	2	14.4	19.2	20	25	2	8.0	19.2	15	25	2	8.0	19.2	15	25
	12	15	2	14.4	14.4	20	20	2	8.0	14.4	15	20	2	8.0	14.4	15	20
	8.4	11	-	N/A	N/A	N/A	N/A	-	N/A	N/A	N/A	N/A	-	N/A	N/A	N/A	N/A
AHC10-2072E AHC10-2084E AHC10-2096E	19	22	2	14.4	22.9	20	30	2	8.0	22.9	15	30	2	8.0	22.9	15	30
	14.2	16	2	14.4	17.1	20	25	2	8.0	17.1	15	25	2	8.0	17.1	15	25
	10.8	12	-	N/A	N/A	N/A	N/A	-	N/A	N/A	N/A	N/A	-	N/A	N/A	N/A	N/A
AHC10-3096E AHC10-3108E	25	21	2	14.4	30.1	20	40	2	12.0	30.1	15	40	2	12.0	30.1	15	40
	18.8	16	2	14.4	22.6	20	30	2	12.0	22.6	15	30	2	12.0	22.6	15	30
	14.2	12	-	N/A	N/A	N/A	N/A	-	N/A	N/A	N/A	N/A	-	N/A	N/A	N/A	N/A
AHC10-3108E AHC10-3120E	28.5	23	2	21.6	34.3	25	45	2	12.0	34.3	15	45	2	12.0	34.3	15	45
	21.3	17	2	21.6	25.6	25	35	2	12.0	25.6	15	35	2	12.0	25.6	15	35
	16.2	13	-	N/A	N/A	N/A	N/A	-	N/A	N/A	N/A	N/A	-	N/A	N/A	N/A	N/A

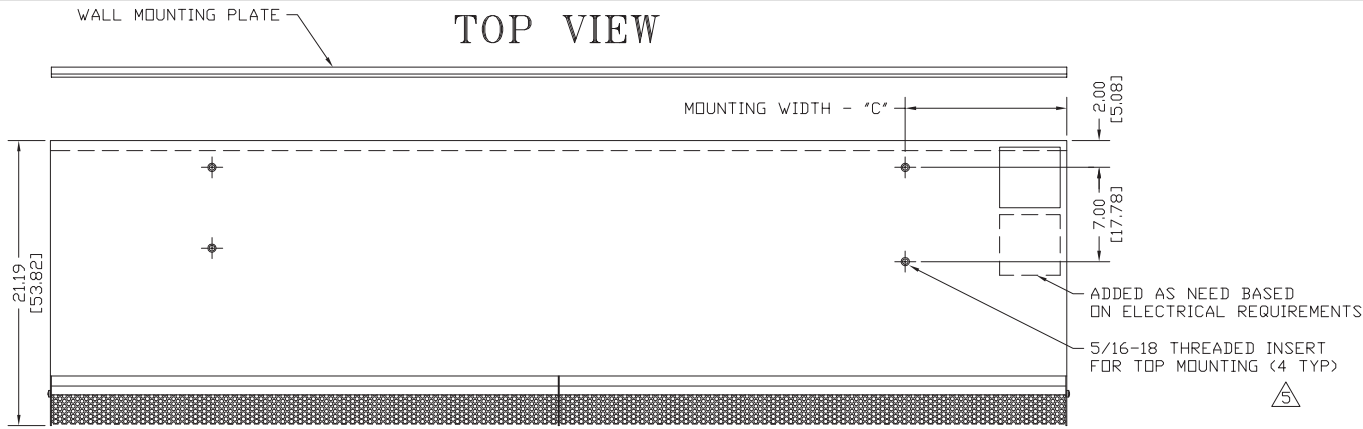


ARCHITECTURAL HIGH PERFORMANCE 10

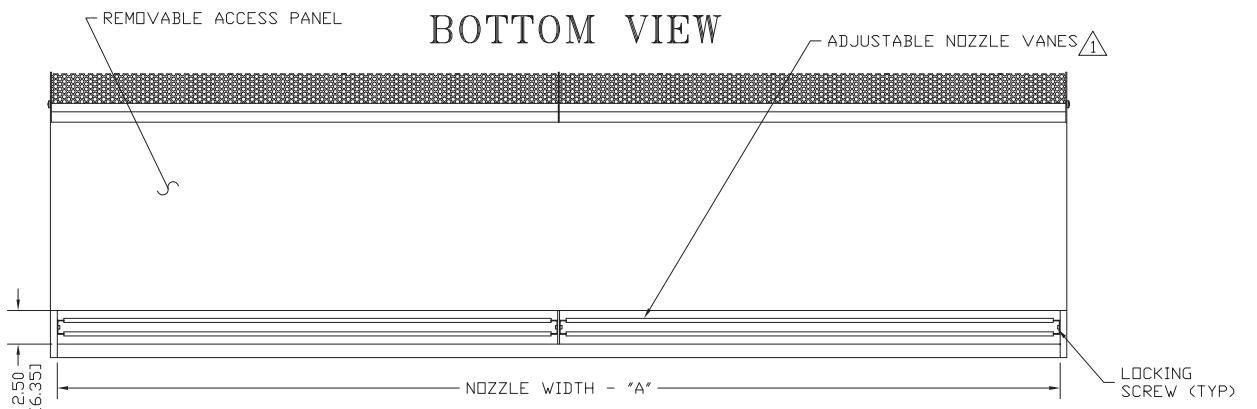
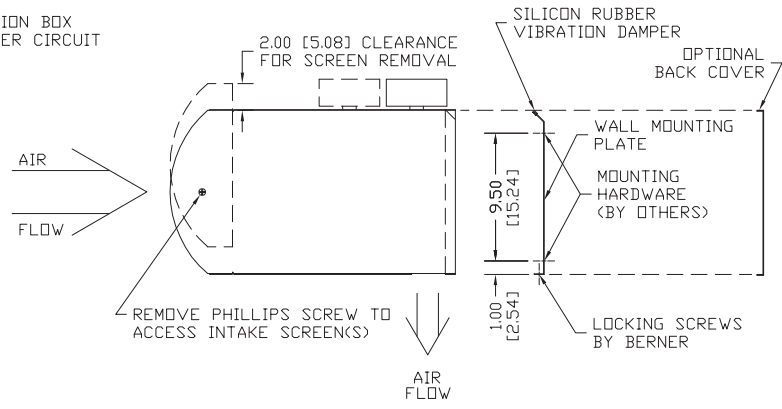
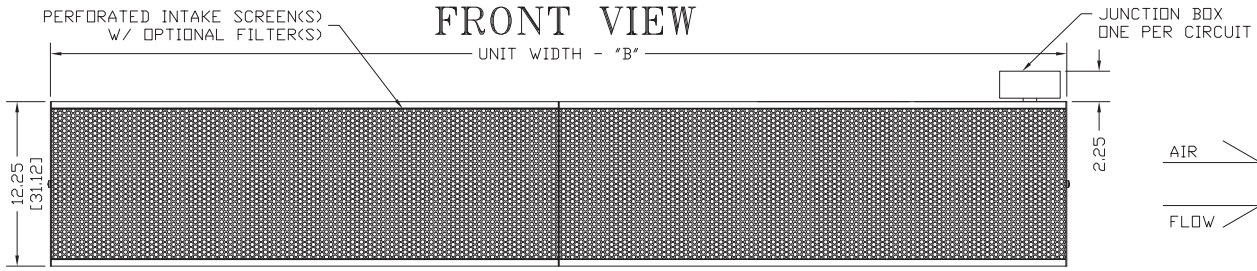
Electric Heated Air Curtain Electrical Performance Sheet

MODEL	*kW option	Temp Rise °F	120V/1/60 - 600V/3/60 (voltage code L) 120V MOTOR AMP DRAW = 7.2 each				208V/1/60 - 600V/3/60 (voltage code M) 208V MOTOR AMP DRAW = 4.0 each				240V/1/60 - 600V/3/60 (voltage code N) 208V MOTOR AMP DRAW = 4.0 each				380V/3/50 (voltage code O) MOTOR AMP DRAW = 4.0 each					
			# CKTS	AMPS PER CIRCUIT		BREAKER RATING PER CIRCUIT		# CKTS	AMPS PER CIRCUIT		BREAKER RATING PER CIRCUIT		# CKTS	AMPS PER CIRCUIT		BREAKER RATING PER CIRCUIT		# CKTS	AMPS PER CIRCUIT (including motor)	BREAKER RATING PER CIRCUIT
				120V/1	600V/3	120V/1	600V/3		208V/1	600V/3	208V/1	600V/3		240V/1	600V/3	240V/1	600V/3			
AHC10-1036E AHC10-1042E AHC10-1048E	9.5	22	2	7.2	9.5	15	15	2	4.0	9.5	15	15	2	4.0	9.5	15	15	1	18.4	25
	7.1	16	-	N/A	N/A	N/A	N/A	-	N/A	N/A	N/A	N/A	-	N/A	N/A	N/A	N/A	1	14.8	20
	5.4	12	-	N/A	N/A	N/A	N/A	-	N/A	N/A	N/A	N/A	-	N/A	N/A	N/A	N/A	1	12.2	20
AHC10-2048E	12.5	21	2	14.4	12.6	15	20	2	8.0	12.6	15	20	2	8.0	12.6	15	20	1	27.0	35
	9.4	16	-	N/A	N/A	N/A	N/A	-	N/A	N/A	N/A	N/A	-	N/A	N/A	N/A	N/A	1	22.3	30
	7.1	12	-	N/A	N/A	N/A	N/A	-	N/A	N/A	N/A	N/A	-	N/A	N/A	N/A	N/A	1	18.8	25
AHC10-2060E	16	20	2	14.4	16.0	20	20	2	8.0	16.0	15	20	2	8.0	16.0	15	20	1	32.3	40
	12	15	-	N/A	N/A	N/A	N/A	-	N/A	N/A	N/A	N/A	-	N/A	N/A	N/A	N/A	1	26.2	35
	8.4	11	-	N/A	N/A	N/A	N/A	-	N/A	N/A	N/A	N/A	-	N/A	N/A	N/A	N/A	1	20.8	25
AHC10-2072E AHC10-2084E AHC10-2096E	19	22	2	14.4	19.1	20	25	2	8.0	19.1	15	25	2	8.0	19.1	15	25	1	36.9	50
	14.2	16	-	N/A	N/A	N/A	N/A	-	N/A	N/A	N/A	N/A	-	N/A	N/A	N/A	N/A	1	29.6	40
	10.8	12	-	N/A	N/A	N/A	N/A	-	N/A	N/A	N/A	N/A	-	N/A	N/A	N/A	N/A	1	24.4	30
AHC10-3096E AHC10-3108E	25	21	2	14.4	25.1	20	35	2	12.0	25.1	15	35	2	12.0	25.1	15	35	2	31.0/19.0	40/25
	18.8	16	-	N/A	N/A	N/A	N/A	-	N/A	N/A	N/A	N/A	-	N/A	N/A	N/A	N/A	1	40.6	50
	14.2	12	-	N/A	N/A	N/A	N/A	-	N/A	N/A	N/A	N/A	-	N/A	N/A	N/A	N/A	1	33.6	40
AHC10-3108E AHC10-3120E	28.5	23	2	21.6	28.6	25	40	2	12.0	28.6	15	40	2	12.0	28.6	15	35	2	26.4/28.9	35/40
	21.3	17	-	N/A	N/A	N/A	N/A	-	N/A	N/A	N/A	N/A	-	N/A	N/A	N/A	N/A	1	44.4	60
	16.2	13	-	N/A	N/A	N/A	N/A	-	N/A	N/A	N/A	N/A	-	N/A	N/A	N/A	N/A	1	36.6	45

AHC10 ELECTRIC HEATED



END VIEW



NOTES:

- ① AIR CURTAIN MUST BE INSTALLED SO AIR STREAM IS NOT OBSTRUCTED WHEN DEFLECTED 20° TO EITHER SIDE OF ϕ .
- ② ELECTRICAL CONNECTIONS TO BE FLEXIBLE.
- ③ FIELD VERIFY DIMENSIONS.
- ④ ANCHORS TO SUPPORTING STRUCTURE BY OTHERS.
- ⑤ ADEQUACY OF SUPPORTING STRUCTURE IS TO BE VERIFIED BY A PROFESSIONAL STRUCTURAL ENGINEER.
- ⑥ LETTER 'E' IN MODEL NUMBER DESIGNATES ELECTRIC HEATED UNIT.
- ⑦ DIMENSIONS IN INCHES [CENTIMETERS].

MODEL ⑥	ELECTRIC HEATER OUTPUT KW	NOZZLE WIDTH 'A'	UNIT WIDTH 'B'	MOUNTING WIDTH 'C'
AHC10-1036E	9.5	36.75 [93.35]	37.75 [95.89]	8.00 [20.32]
AHC10-1042E	9.5	42.75 [108.59]	43.75 [111.13]	8.00 [20.32]
AHC10-1048E	9.5	48.75 [123.83]	49.75 [126.37]	10.00 [25.40]
AHC10-2048E	12.5	48.75 [123.83]	49.75 [126.37]	8.00 [20.32]
AHC10-2060E	16.0	60.75 [153.31]	61.75 [156.85]	8.00 [20.32]
AHC10-2072E	19.0	74.50 [189.23]	75.50 [191.77]	12.00 [30.48]
AHC10-2084E	19.0	86.50 [219.71]	87.50 [217.17]	12.00 [30.48]
AHC10-2096E	19.0	98.50 [250.19]	99.50 [252.73]	27.00 [68.58]
AHC10-3096E	25.0	98.50 [250.19]	99.50 [252.73]	27.00 [68.58]
AHC10-3108E	25.0 / 28.5	112.25 [285.12]	113.25 [287.66]	27.00 [68.58]
AHC10-3120E	28.5	118.25 [300.36]	119.25 [302.90]	27.00 [68.58]

PROJECT		
LOCATION		
ARCHITECT		
ENGINEER		
DWG. NO.	AHC10-ELE	TITLE: BERNER
DATE	21MAY14	MODEL AHC10 AIR CURTAIN
BY	S. Beil	ELECTRIC HEATED SYSTEM
REPLACES	-	
BY	-	BERNER INTERNATIONAL CORP. NEW CASTLE, PA.