



ARCHITECTURAL HIGH PERFORMANCE 10

Steam Heated Air Curtain

Data Sheet

For Door Heights To 10' (environmental separation)

STANDARD CONSTRUCTION

- 12 ¼" high x 21 ¼" deep
- 1/2 hp three speed motor(s)
- Factory installed fan speed/heat switch
- Clear satin anodized aluminum exterior (Optional: Custom Color or Stainless)
- Wall & Top Mounting
- High efficiency, low noise Pro-V Nozzle
- Optional: Filter (washable)

- Coil Features:
 - Galvanized steel casing
 - 5/8" copper tube with .035" wall
 - Aluminum fins
 - Leak tested at 450 psi

2 Year Limited Warranty



| MODEL | Nozzle Width (in) | Max Vel. at Nozzle (fpm) | Avg. Outlet Vel. (fpm) | Air Volume (cfm) | Outlet Vel. Uniformity | Power Rating (kW) | Motor(s) @ hp | Coil Output (MBH) | Inlet Pressure (PSIG) | Condensate (lbs/hr) | Air Temp. Rise (°F) | Net Wt. (lbs) |
|-------------|-------------------|--------------------------|------------------------|------------------|------------------------|-------------------|---------------|-------------------|-----------------------|---------------------|---------------------|---------------|
| AHC10-1036S | 36.75 | 3,977 | 2,110 | 1,346 | 91% | 0.52 | 1 @ ½ | 63.1 | 5 | 65.1 | 43° | 98 |
| AHC10-1042S | 42.75 | 4,095 | 1,873 | 1,390 | 86% | 0.52 | 1 @ ½ | 69.8 | 5 | 71.9 | 46° | 104 |
| AHC10-1048S | 48.75 | 3,838 | 1,674 | 1,417 | 71% | 0.52 | 1 @ ½ | 75.6 | 5 | 77.9 | 49° | 109 |
| AHC10-2048S | 48.75 | 4,166 | 2,240 | 1,896 | 92% | 0.71 | 2 @ ½ | 87.9 | 5 | 90.6 | 42° | 134 |
| AHC10-2060S | 60.75 | 3,950 | 2,408 | 2,540 | 92% | 1.01 | 2 @ ½ | 114.7 | 5 | 118.2 | 41° | 171 |
| AHC10-2072S | 74.50 | 3,977 | 2,081 | 2,692 | 91% | 1.04 | 2 @ ½ | 131.0 | 5 | 135.1 | 44° | 181 |
| AHC10-2084S | 86.50 | 4,095 | 1,851 | 2,780 | 86% | 1.04 | 2 @ ½ | 143.9 | 5 | 148.3 | 47° | 197 |
| AHC10-2096S | 98.50 | 3,838 | 1,657 | 2,834 | 71% | 1.04 | 2 @ ½ | 155.1 | 5 | 159.8 | 50° | 208 |
| AHC10-3096S | 98.50 | 4,166 | 2,217 | 3,792 | 92% | 1.42 | 3 @ ½ | 180.6 | 5 | 186.2 | 44° | 228 |
| AHC10-3108S | 112.25 | 3,977 | 2,072 | 4,038 | 91% | 1.56 | 3 @ ½ | 199.8 | 5 | 205.9 | 45° | 240 |
| AHC10-3120S | 118.25 | 3,977 | 2,010 | 4,126 | 91% | 1.56 | 3 @ ½ | 207.4 | 5 | 213.7 | 46° | 248 |

NOTES:

1. Operation at 50 Hz will generate approximately a 17% reduction in performance.
2. Performance data based on AMCA licensed data from unheated units.
3. Coil performance based on 65°F entering air temperature.
4. Standard connection same end supply/return.
5. Coil should be field supplied with a solenoid valve that energizes only when air curtain is energized. Consideration must be taken for freeze protection when necessary.
6. Maximum leaving air temperature shall not exceed 120°F.
7. Consult factory for alternate steam pressures or vertically mounted units.

See sheet EP-214 for amp draws/total load requirements.

MODEL NUMBER CONFIGURATION

AHC10-1 036 S A-R-SS

| Series | # of Motors | Opening Width | Heat | Voltage | Opt. Switch | Opt. Cabinet Finish |
|--------|-------------|---------------|----------------|---|---------------|---------------------------------------|
| AHC10 | 1, 2, 3 | 036" - 120" | S=Steam Heated | *A=120/1/60 B=208/1/60 J=240/1/60 V=220/1/50 | Remote Switch | SS=Stainless Steel CC=Custom Color |

*Suitable for 50hz

Sound level measured 10' (3m) from the unit in free field:
 1 motor: Low/Medium/High Speed: 54/55/56 dBA
 2 motors: Low/Medium/High Speed: 57/58/59 dBA
 3 motors: Low/Medium/High Speed: 60/61/62 dBA

Berner reserves the right to alter specifications without prior notice.



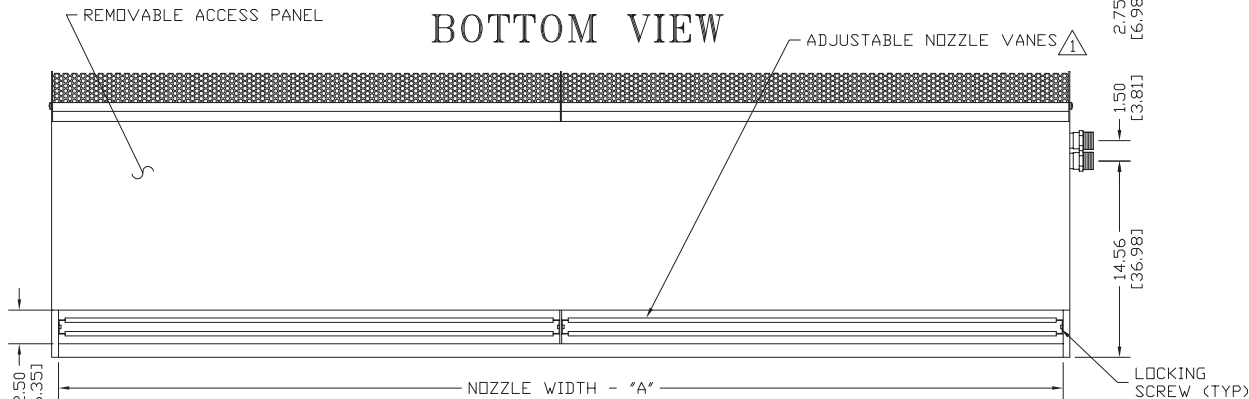
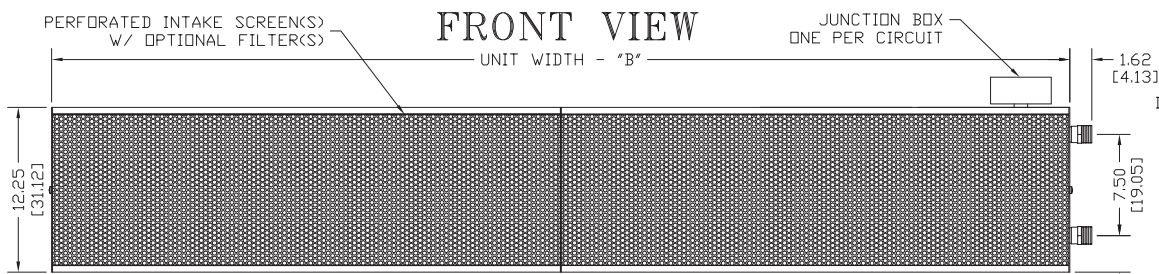
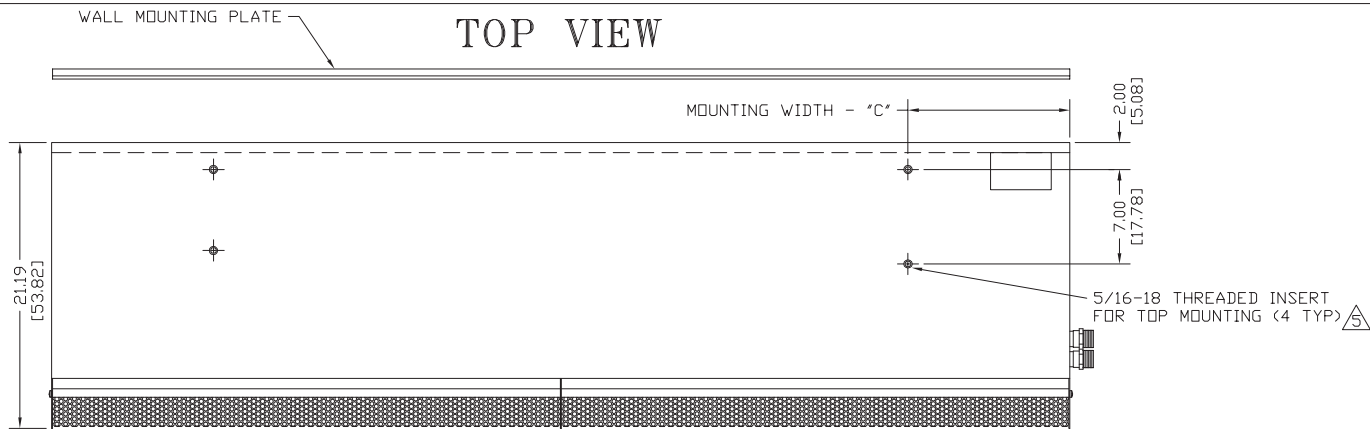
ARCHITECTURAL HIGH PERFORMANCE 10

Steam Heated Air Curtain Electrical Performance Sheet

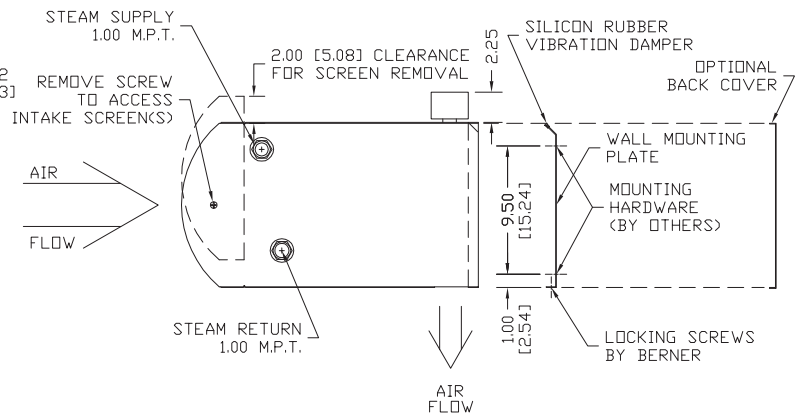
| MODEL | 120/1/60 (voltage code A) MOTOR AMP DRAW = 7.2 each | | | 208/1/60 (voltage code B) or 220/1/50 (voltage code V) MOTOR AMP DRAW = 4.0 each | | | 240/1/60 (voltage code J) MOTOR AMP DRAW = 4.0 each | | |
|---|--|------------------|----------------------------|--|------------------|----------------------------|--|------------------|----------------------------|
| | # CKTS | AMPS PER CIRCUIT | BREAKER RATING PER CIRCUIT | # CKTS | AMPS PER CIRCUIT | BREAKER RATING PER CIRCUIT | # CKTS | AMPS PER CIRCUIT | BREAKER RATING PER CIRCUIT |
| AHC10-1036S AHC10-1042S AHC10-1048S | 1 | 7.2 | 15 | 1 | 4.0 | 15 | 1 | 4.0 | 15 |
| AHC10-2048S AHC10-2060S AHC10-2072S AHC10-2084S AHC10-2096S | 1 | 14.4 | 20 | 1 | 8.0 | 15 | 1 | 8.0 | 15 |
| AHC10-3096S AHC10-3108S AHC10-3120S | 1 | 21.6 | 30 | 1 | 12.0 | 15 | 1 | 12.0 | 15 |

Berner reserves the right to alter specifications without prior notice.

AHC10 STEAM HEATED



END VIEW



NOTES:

- ① AIR CURTAIN MUST BE INSTALLED SO AIR STREAM IS NOT OBSTRUCTED WHEN DEFLECTED 20° TO EITHER SIDE OF ϕ .
- ② ELECTRICAL CONNECTIONS TO BE FLEXIBLE.
- ③ FIELD VERIFY DIMENSIONS.
- ④ ANCHORS TO SUPPORTING STRUCTURE BY OTHERS.
- ⑤ ADEQUACY OF SUPPORTING STRUCTURE IS TO BE VERIFIED BY A PROFESSIONAL STRUCTURAL ENGINEER.
- ⑥ LETTER "S" IN MODEL NUMBER DESIGNATES STEAM HEATED UNIT.
- ⑦ DIMENSIONS IN INCHES (CENTIMETERS).

| MODEL ⑥ | NOZZLE WIDTH "A" | UNIT WIDTH "B" | MOUNTING WIDTH "C" |
|-------------|------------------|-----------------|--------------------|
| AHC10-1036S | 36.75 [93.35] | 37.75 [95.89] | 8.00 [20.32] |
| AHC10-1042S | 42.75 [108.59] | 43.75 [111.13] | 8.00 [20.32] |
| AHC10-1048S | 48.75 [123.83] | 49.75 [126.37] | 10.00 [25.40] |
| AHC10-2048S | 48.75 [123.83] | 49.75 [126.37] | 8.00 [20.32] |
| AHC10-2060S | 60.75 [153.31] | 61.75 [156.85] | 8.00 [20.32] |
| AHC10-2072S | 74.50 [189.23] | 75.50 [191.77] | 12.00 [30.48] |
| AHC10-2084S | 86.50 [219.71] | 87.50 [222.25] | 12.00 [30.48] |
| AHC10-2096S | 98.50 [250.19] | 99.50 [252.73] | 27.00 [68.58] |
| AHC10-3096S | 98.50 [250.19] | 99.50 [252.73] | 27.00 [68.58] |
| AHC10-3108S | 112.25 [285.12] | 113.25 [287.66] | 27.00 [68.58] |
| AHC10-3120S | 118.25 [300.36] | 119.25 [302.90] | 27.00 [68.58] |

| | | |
|-----------|-----------|---|
| PROJECT | | |
| LOCATION | | |
| ARCHITECT | | |
| ENGINEER | | |
| DWG. NO. | AHC10-STM | TITLE: BERNER |
| DATE | 21MAY14 | MODEL AHC10 AIR CURTAIN |
| BY | S. Beil | STEAM HEATED SYSTEM |
| REPLACES | - | |
| BY | - | BERNER INTERNATIONAL CORP. NEW CASTLE, PA. |