

**STANDARD FEATURES**

- ◆ ¾ hp motors
- ◆ Galvanized steel fan wheels & housings
- ◆ Aluminum airfoil shaped directional vanes
- ◆ Aluminum base frame
- ◆ White aluminum or stainless steel housing
- ◆ Keyhole slots in backplate for quick wall mounting
- ◆ Licensed to bear AMCA Air Performance Seal
- ◆ UL Listed (United States & Canada)
- ◆ Five year parts warranty
- ◆ Crafted with Pride in the USA

MODEL WHITE ALUMINUM	MODEL STAINLESS STEEL	Nozzle Width (in)	Max. Velocity (fpm)	Avg. Outlet Velocity (fpm)†	Air Volume‡ (scfm)	# Motor(s) @ hp	Power Rating (kW)	Outlet Velocity Unif. (%)	# Fans	Net Wgt. (lbs)	Ship Wgt. (lbs)
ASN1036A-P	ASN1036A-P-SS	36"	3500	1965	1812	1 @ ¾	.68	71.9	2	50	69
ASN1042A-P	ASN1042A-P-SS	42"	3500	1716	1752	1 @ ¾	.75	78.6	2	52	78
ASN1048A-P	ASN1048A-P-SS	48"	3500	1504	1882	1 @ ¾	.73	54.6	2	53	80
ASN2060A-P*	ASN2060A-P-SS*	60"	3500	1805	2726	2 @ ¾	1.18	74.0	3	70	116
ASN2072A-P	ASN2072A-P-SS	72"	3500	1965	3624	2 @ ¾	1.36	71.9	4	84	130

\* Three blower system  
For door widths in excess of 72" combine units.

MOTOR VOLTAGES/AMP DRAWS			
Horsepower	¾	¾	¾
Speed	1	1	1
Volts	120	208/240	480
Phase	1	1	1
Hertz**	50/60	50/60	50/60
Amps per Motor	7.5	3.8	1.8

\*\*Operation at 50 Hz will generate approximately a 17% reduction in performance.

Sound level measured 10' (3m) from the unit in free field:  
ASN (2 FAN) **67 dBA**  
ASN (3 FAN) **69 dBA**

*AMCA Seal applies to air performance only.*



VELOCITY PROJECTION			
<b>Model: ASN1036</b>			
Distance from Nozzle (ft)	3	5	7
Core Velocity (fpm)	2060	1555	1300

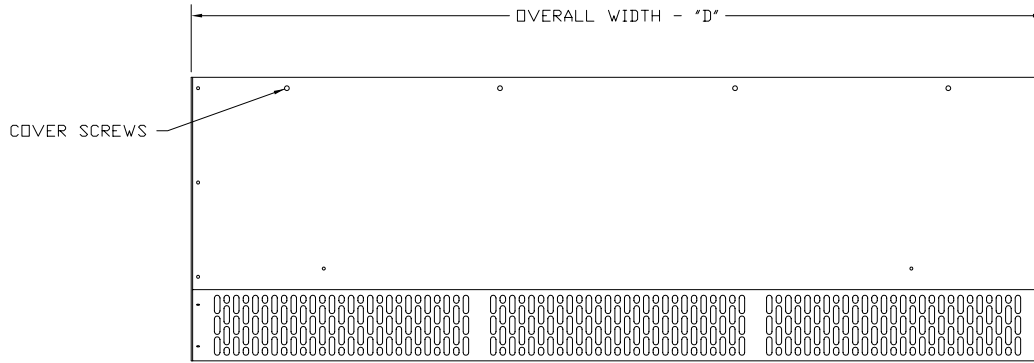


Berner International Corporation certifies that the air curtains shown herein are licensed to bear the AMCA Seal. The ratings shown are based on tests and procedures performed in accordance with AMCA Publication 211 and comply with the requirements of the AMCA Certified Ratings Program.  
Rated data shown is for base unheated units.

AMCA Certified Ratings Seal applies to airflow rate, average outlet velocity, outlet velocity uniformity, velocity projection and power rating at free delivery only.

*Berner reserves the right to alter specifications without prior notice.*

# TOP VIEW



# THE ARISTOCRAT

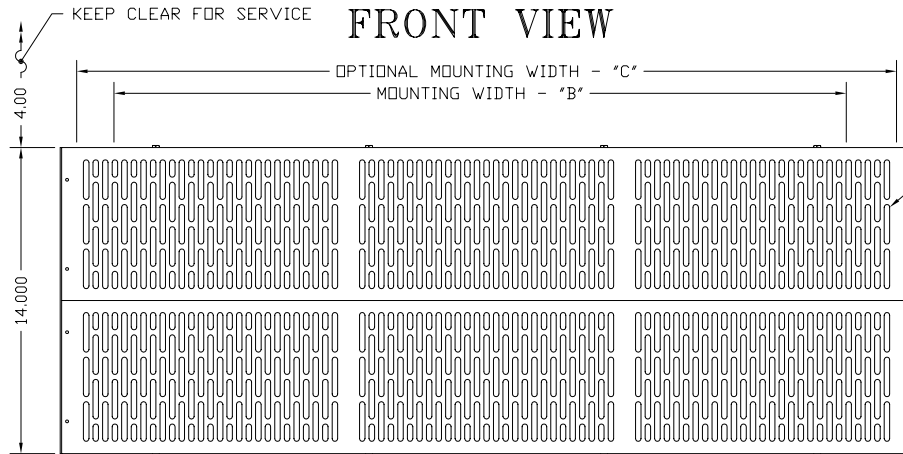
## AIR DOOR

### AMBIENT

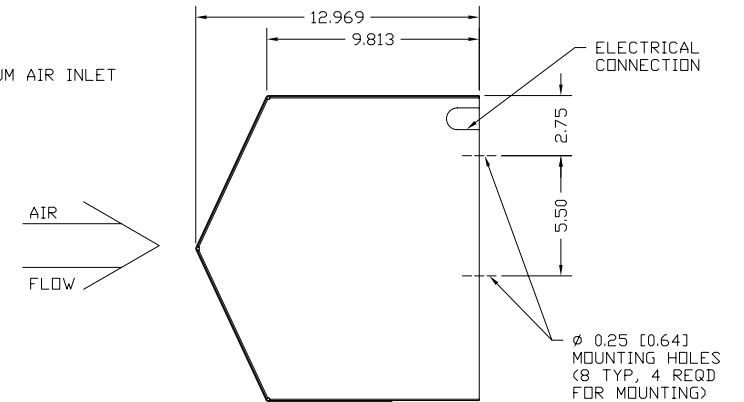
### NOTES:

- ⚠ AIR CURTAIN MUST BE INSTALLED SO AIR STREAM IS NOT OBSTRUCTED WHEN DEFLECTED 20° TO EITHER SIDE OF  $\bar{C}$ .
- ⚠ ELECTRICAL CONNECTIONS ARE TO BE FLEXIBLE.
- ⚠ FIELD VERIFY DIMENSIONS.
- ⚠ ANCHORS TO SUPPORTING STRUCTURE TO BE SUPPLIED BY OTHERS.
- ⚠ ADEQUACY OF SUPPORTING STRUCTURE IS TO BE VERIFIED BY A PROFESSIONAL STRUCTURAL ENGINEER.

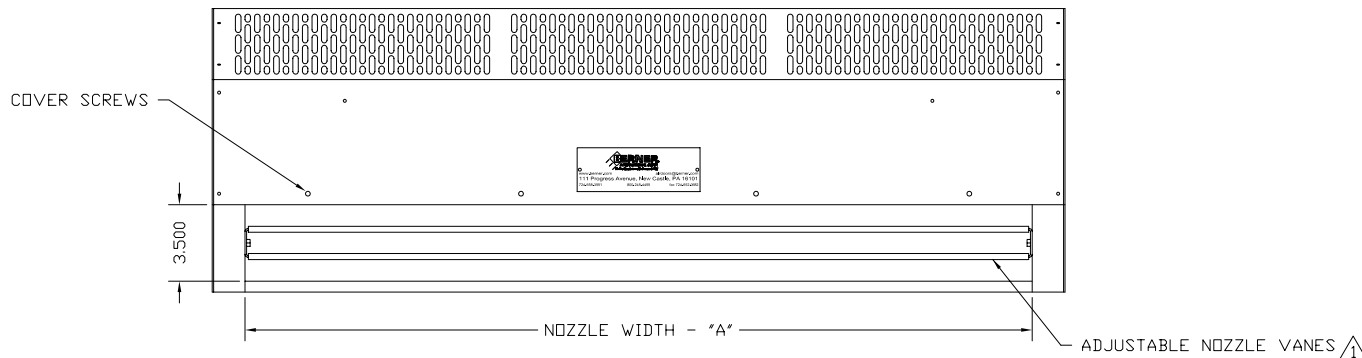
# FRONT VIEW



# END VIEW



# BOTTOM VIEW



AIRFLOW

MODEL	NOZZLE "A"	MOUNTING "B"	MOUNTING "C"	OVERALL "D"
AS*1036A	36.00 [91.44]	33.50 [85.09]	37.50 [95.25]	39.00 [99.06]
AS*1042A	42.00 [106.68]	39.50 [100.33]	43.50 [110.49]	45.00 [114.30]
AS*1048A	48.00 [121.92]	45.50 [115.57]	49.50 [125.73]	51.00 [129.54]
AS*1060A ASR2060A	60.00 [152.40]	57.50 [146.05]	61.50 [156.21]	63.00 [160.02]
ASF1072A AS*2072A	72.00 [193.04]	69.50 [176.53]	73.50 [186.69]	75.00 [190.50]

REPLACE '\*' WITH 'F', 'R' OR 'N' FOR FRONT, REAR OR NSF. NSF CERTIFICATION APPLIES TO ASN SERIES ONLY.

DWG. NO.	LWAT0068	TITLE:	<b>BERNER</b> MODEL ARISTOCRAT AIR DOOR AMBIENT
DATE	11OCT05	BY	
REPLACES		BERNER INTERNATIONAL CORP. NEW CASTLE, PA.	