

STANDARD FEATURES

- ◆ ¾ hp motor(s)
- ◆ Factory installed fan/heat switch
- ◆ Galvanized steel fan wheels & housings
- ◆ Aluminum airfoil shaped directional vanes
- ◆ Aluminum base frame
- ◆ White aluminum or stainless steel housing
- ◆ Keyhole slots in backplate for quick wall mounting
- ◆ UL Listed (United States & Canada)
- ◆ Two year parts warranty
- ◆ Crafted With Pride in the USA

HEATER FEATURES

- ◆ Helical coil with point suspension of elements for longer life
- ◆ Available single or three phase
- ◆ Easily replaceable heater elements
- ◆ Galvanized steel frame
- ◆ Thermally protected against overheating

OPTIONAL FEATURES

- ◆ Reduced kW available (consult factory)

MODEL WHITE ALUMINUM	MODEL STAINLESS STEEL	Nozzle Width (in)	Max. Vel. (fpm)	Avg. Outlet Velocity (fpm)	Air Volume (scfm)	# Motor(s) @ hp	Power Rating (kW)	Outlet Velocity Unif. (%)	# Fans	Electric Capacity (kW)	Temp Rise °F	Net Wgt. (lbs)	Ship Wgt. (lbs)
CUSTOMER ENTRY MODELS													
ASF1036E	ASF1036E-SS	36"	2700	1337	958	1 @ ¾	.51	81.4	2	10.0	33	55	71
ASF1042E	ASF1042E-SS	42"	2700	958	978	1 @ ¾	.33	78.9	2	10.0	32	56	81
ASF1048E	ASF1048E-SS	48"	2700	1011	966	1 @ ¾	.53	59.4	2	10.0	33	56	83
ASF1060E-2*	ASF1060E-SS-2*	60"	2700	692	1009	1 @ ¾	.33	26.0	2	10.0	31	63	95
ASF1060E-3**	ASF1060E-SS-3**	60"	2700	1005	1487	1 @ ¾	.50	70.0	3	15.0	32	65	121
ASF1072E	ASF1072E-SS	72"	2700	838	1467	1 @ ¾	.50	62.0	3	15.0	32	75	131
ASF2072E	ASF2072E-SS	72"	2700	1337	1916	2 @ ¾	1.02	81.4	4	20.0	33	100	140
SERVICE ENTRY MODELS													
ASR1036E	ASR1036E-SS	36"	3500	1965	1812	1 @ ¾	.68	79.6	2	10.0	18	52	71
ASR1042E	ASR1042E-SS	42"	3500	1716	1752	1 @ ¾	.75	78.6	2	10.0	18	55	81
ASR1048E	ASR1048E-SS	48"	3500	1504	1882	1 @ ¾	.73	54.6	2	10.0	18	56	83
ASR1060E	ASR1060E-SS	60"	3500	1225	1817	1 @ ¾	.74	27.0	2	10.0	18	63	95
ASR2060E	ASR2060E-SS	60"	3500	1805	2726	2 @ ¾	1.18	74.0	3	15.0	18	96	121
ASR2072E	ASR2072E-SS	72"	3500	1965	3624	2 @ ¾	1.36	71.9	4	20.0	18	100	140

* Two blower system **Three blower system For door widths in excess of 72" combine units.

ELECTRIC HEATER DATA							
ALUMINUM	STAINLESS STEEL	208/240/1*	208/3	240/3	480/3	600/3**	Temp. Rise °F @ kW
CUSTOMER ENTRY MODELS							
ASF1036E	ASF1036E-SS	7.5 or 10.0 kW	7.5 or 10.0 kW	7.5 or 10.0 kW	10.0 kW	10.0 kW	25° @ 7.5 Kw / 33° @ 10.0 kW
ASF1042E	ASF1042E-SS	7.5 or 10.0 kW	7.5 or 10.0 kW	7.5 or 10.0 kW	10.0 kW	10.0 kW	24° @ 7.5 kW / 32° @ 10.0 kW
ASF1048E	ASF1048E-SS	7.5 or 10.0 kW	7.5 or 10.0 kW	7.5 or 10.0 kW	10.0 kW	10.0 kW	24° @ 7.5 kW / 33° @ 10.0 kW
ASF1060E-2	ASF1060E-SS-2	7.5 or 10.0 kW	7.5 or 10.0 kW	7.5 or 10.0 kW	10.0 kW	10.0 kW	23° @ 7.5 kW / 31° @ 10.0 kW
ASF1060E-3	ASF1060E-SS-3	N/A	15.0 kW	15.0 kW	15.0 kW	15.0 kW	32° @ 15.0 kW
ASF1072E	ASF1072E-SS	N/A	15.0 kW	15.0 kW	15.0 kW	15.0 kW	32° @ 15.0 kW
ASF2072E	ASF2072E-SS	N/A	15.0 or 20.0 kW	15.0 or 20.0 kW	20.0 kW	20.0 kW	25° @ 15.0 kW / 33° @ 20.0 kW
SERVICE ENTRY MODELS							
ASR1036E	ASR1036E-SS	7.5 or 10.0 kW	7.5 or 10.0 kW	7.5 or 10.0 kW	10.0 kW	10.0 kW	14° @ 7.5 kW / 18° @ 10.0 kW
ASR1042E	ASR1042E-SS	7.5 or 10.0 kW	7.5 or 10.0 kW	7.5 or 10.0 kW	10.0 kW	10.0 kW	14° @ 7.5 kW / 18° @ 10.0 kW
ASR1048E	ASR1048E-SS	7.5 or 10.0 kW	7.5 or 10.0 kW	7.5 or 10.0 kW	10.0 kW	10.0 kW	14° @ 7.5 kW / 18° @ 10.0 kW
ASR1060E	ASR1060E-SS	7.5 or 10.0 kW	7.5 or 10.0 kW	7.5 or 10.0 kW	10.0 kW	10.0 kW	14° @ 7.5 kW / 18° @ 10.0 kW
ASR2060E	ASR2060E-SS	N/A	15.0 kW	15.0 kW	15.0 kW	15.0 kW	18° @ 15.0 kW
ASR2072E	ASR2072E-SS	N/A	15.0 or 20.0 kW	15.0 or 20.0 kW	20.0 kW	20.0 kW	14° @ 15.0 kW / 18° @ 20.0 kW

*Two circuits are required when combined amp draw of motor(s) and heater(s) is greater than 48 amps.

**A separate 120/208 or 240/1 circuit required for the motor.

MOTOR VOLTAGES/AMP DRAWS			
Horsepower	3/4	3/4	3/4
Volts	120	208/240	480
Phase	1	1	1
Hertz**	50/60	50/60	50/60
Amps per Motor	7.5	3.8	1.8

**Operation at 50 HZ will generate approximately a 17% reduction in performance.



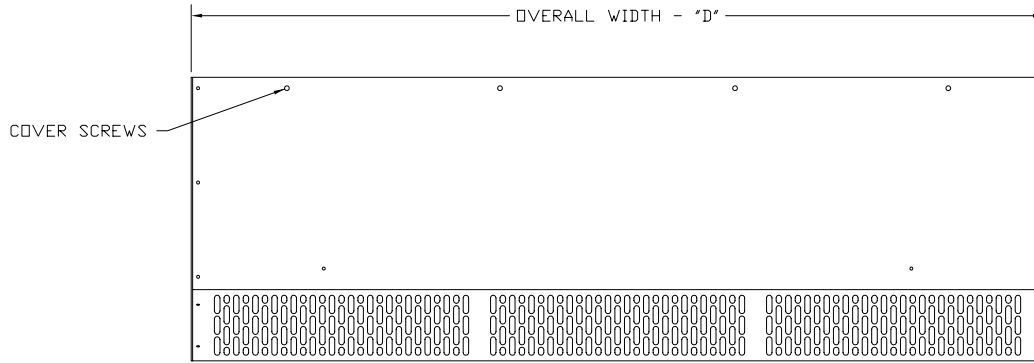
	HEATER AMP DRAWS @ kW					
	208/1	240/1	208/3	240/3	480/3	600/3
10.0 kW	48.0*	41.7	27.8	24.1	12.0	10
15.0 kW	N/A	62.5*	41.6	36.1	18.0	15.1
20.0 kW	N/A	83.3*	55.1*	48.1*	24.1	20.1

*total heater amp draw; two circuits required

Sound level measured 10' (3m) from the unit in free field:
ASF-E **58 dBA**
ASR-E **67 dBA**

Berner reserves the right to alter specifications without prior notice.

TOP VIEW



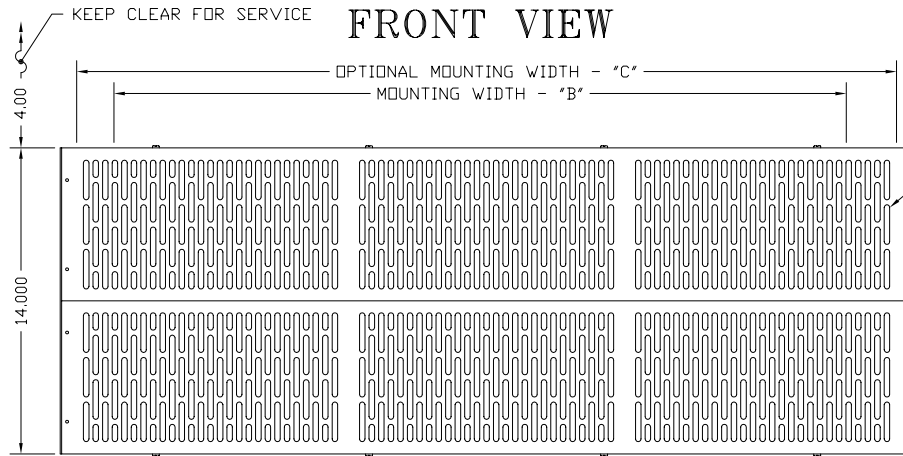
THE ARISTOCRAT

AIR DOOR ELECTRIC HEATED SINGLE & THREE SPEED

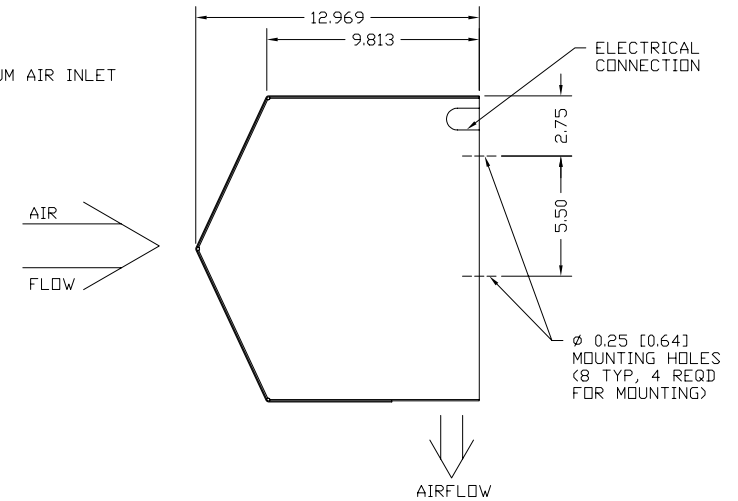
NOTES:

- ⚠ AIR CURTAIN MUST BE INSTALLED SO AIR STREAM IS NOT OBSTRUCTED WHEN DEFLECTED 20° TO EITHER SIDE OF \bar{C} .
- ⚠ ELECTRICAL CONNECTIONS ARE TO BE FLEXIBLE.
- ⚠ FIELD VERIFY DIMENSIONS.
- ⚠ ANCHORS TO SUPPORTING STRUCTURE TO BE SUPPLIED BY OTHERS.
- ⚠ ADEQUACY OF SUPPORTING STRUCTURE IS TO BE VERIFIED BY A PROFESSIONAL STRUCTURAL ENGINEER.

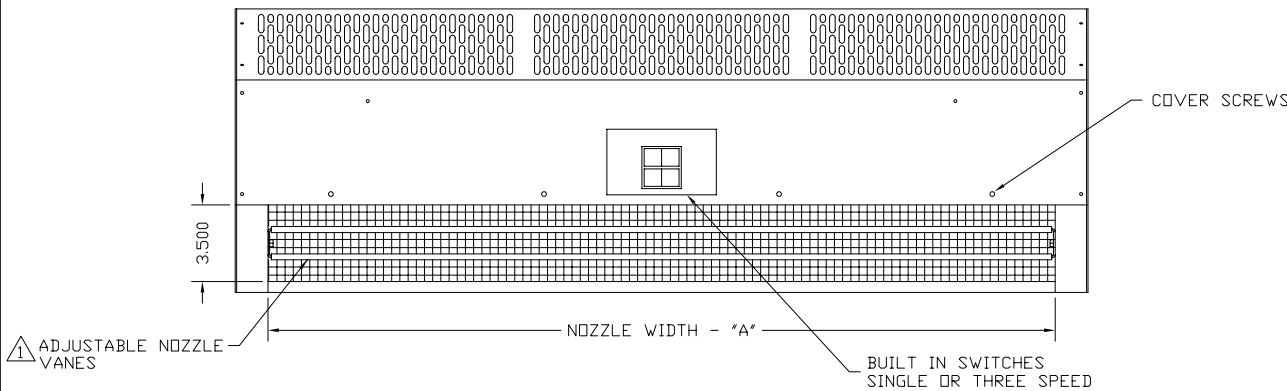
FRONT VIEW



END VIEW



BOTTOM VIEW



MODEL	NOZZLE "A"	MOUNTING "B"	MOUNTING "C"	OVERALL "D"
AS*1036E†	36.00 [91.44]	33.50 [85.09]	37.50 [95.25]	39.00 [99.06]
AS*1042E†	42.00 [106.68]	39.50 [100.33]	43.50 [110.49]	45.00 [114.30]
AS*1048E†	48.00 [121.92]	45.50 [115.57]	49.50 [125.73]	51.00 [129.54]
ASF1060E	60.00 [152.40]	57.50 [146.05]	61.50 [156.21]	63.00 [160.02]
ASF1072E	72.00 [193.04]	69.50 [176.53]	73.50 [186.69]	75.00 [190.50]

REPLACE "*" WITH "F" OR "R" FOR FRONT OR REAR DOOR (SINGLE SPEED ONLY). REPLACE "†" WITH "-3X" FOR 3-SPD (REAR DOOR ONLY)

DWG. NO.	LWAT0067	TITLE:	BERNER
DATE	11OCT05		MODEL ARISTOCRAT AIR DOOR
BY	A. Johnston		SINGLE SPEED & 3-SPEED ELECTRIC HEATED
REPLACES			
BY			BERNER INTERNATIONAL CORP. NEW CASTLE, PA.