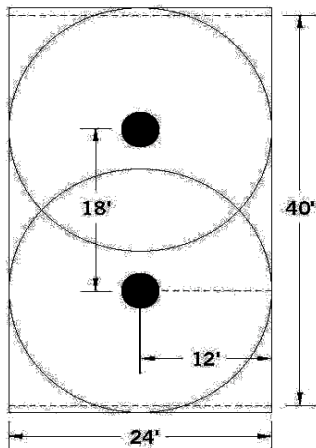


# BERNER PATIO HEATERS Portable Parasol

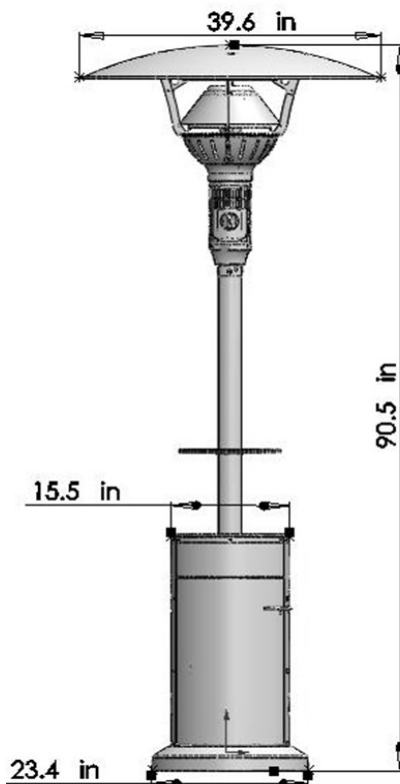
<b>Portable Models</b>		
<b>SPECIFICATIONS</b>	<b>DRR/G423RO U5</b>	<b>DRR/423RO D</b>
Finish	304 S/S	Powder Coated Black
Gas Manifold Pressure	11" W.C	11" W.C
Max. Inlet Gas Supply Pressure	250psi	250psi
Control	AA Battery 'Piezo' Ignition	AA Battery 'Piezo' Ignition
Fuel	LPG	LPG
Variable Fire Rate (max)	*46,000 BTU/H	*46,000 BTU/H
Wood & Concrete Securable	Yes	Yes
Wheels	Included	Included
Beverage / Food Tray	Optional	Optional
Weight	120lbs (without tank)	120lbs (without tank)
Effective Range	*12' to 24' Radius	*12' to 24' Radius
Distance	*14' to 20' apart	*14' to 20' apart

## \*TYPICAL COVERAGE

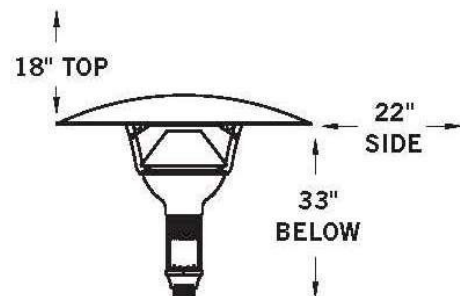


\*Note: Ambient temperatures and wind conditions vary and will affect heater performance. To maximize layout distances, employ building walls, alcoves, fences and shrubbery lines as wind barriers.

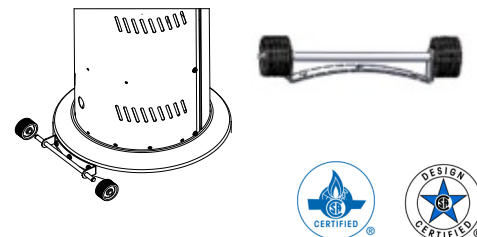
## SIZE



## CLEARANCE TO COMBUSTIBLES



## BALL BEARING WHEELS



## WARRANTY

- *Emitter and Burner = 5 years*
- *All other parts = 1 year*

