



COMMERCIAL HIGH PERFORMANCE 10

Electric Heated Air Curtain

Data Sheet

For Door Heights To 10' (environmental separation)

STANDARD CONSTRUCTION

- 14" high x 15" deep
- 1/2 hp three speed motor(s)
- Factory installed fan speed/heat switch
- White aluminum exterior cover (Optional: Custom Color or Stainless)
- Wall Mounting (Optional: Top)

- Patented venturi open helical element with point suspension
 - Thermal overload protection
 - Galvanized steel frame
- Alternate kW: see sheet EP-112

2 Year
Limited
Warranty



MODEL	Nozzle Width (in)	Max Vel. at Nozzle (fpm)	Avg. Outlet Vel. (fpm)	Air Volume (cfm)	Outlet Vel. Uniformity	Power Rating (kW)	Motor(s) @ hp	Max Electric Capacity (kW)	Heater Output (MBH)	Air Temp. Rise (°F)	Net Wt. (lbs)
CHC10-1036E	36.00	5,917	2,071	1,812	72%	0.56	1 @ 1/2	14.0	47.8	24°	52
CHC10-1042E	42.00	4,418	1,716	1,752	79%	0.57	1 @ 1/2	14.0	47.8	25°	55
CHC10-1048E	48.00	3,815	1,613	1,882	55%	0.58	1 @ 1/2	14.0	47.8	23°	56
CHC10-1060E	60.00	2,930	1,246	1,817	27%	0.59	1 @ 1/2	14.0	47.8	24°	63
CHC10-2060E	60.00	3,963	1,869	2,726	74%	1.09	2 @ 1/2	21.0	71.7	24°	96
CHC10-2072E	72.00	5,917	2,071	3,624	72%	1.12	2 @ 1/2	28.0	95.6	24°	104
CHC10-2084E	87.00	4,418	1,657	3,504	79%	1.14	2 @ 1/2	28.0	95.6	25°	110
CHC10-2096E	99.00	3,815	1,564	3,764	55%	1.17	2 @ 1/2	28.0	95.6	23°	112
CHC10-3096E	99.00	2,930	1,886	4,538	72%	1.65	3 @ 1/2	35.0	119.5	24°	148
CHC10-2108E	111.00	3,963	1,371	3,699	27%	1.18	2 @ 1/2	28.0	95.6	24°	119
CHC10-3108E	111.00	5,917	2,015	5,436	72%	1.68	3 @ 1/2	42.0	143.3	24°	156
CHC10-2120E	116.25	2,930	1,286	3,634	27%	1.19	2 @ 1/2	28.0	95.6	24°	126
CHC10-3120E	116.25	4,418	1,903	5,376	72%	1.69	3 @ 1/2	42.0	143.3	25°	159

- NOTE: Operation at 50 Hz will generate approximately a 17% reduction in air performance.
- Performance data based on unheated units.

Berner does not recommend CHC10-1060E, exist only as an equivalent to competitors' models.

See sheet EP-112 for amp draws/total load requirements and alternate kW.

MODEL NUMBER CONFIGURATION

CHC10-1 036 E B-R-SS

Series	# of Motors	Opening Width	Heat	Voltage	Opt. Switch	Opt. Cabinet Finish
CHC10	1, 2	036" - 120"	E=Electric Heated	*B=208/1/60 *J=240/1/60 *V=220/1/50 X=208/3/60 Y=240/3/60 Z=480/3/60 Q=600/3/60 O=380/3/50	Remote Switch	SS=Stainless Steel CC=Custom Color

*Max 15kW
See sheet EP-112
for available lengths
and voltages

Sound level measured 10' (3m) from the unit in free field:

1 motor:	Low/Medium/High Speed:	64/65/66 dBA
2 motors 60":	Low/Medium/High Speed:	66/67/68 dBA
2 motors:	Low/Medium/High Speed:	67/68/69 dBA
3 motors:	Low/Medium/High Speed:	70/71/72 dBA

Berner reserves the right to alter specifications without prior notice.



COMMERCIAL HIGH PERFORMANCE 10

Electric Heated Air Curtain Electrical Performance Sheet

MODEL	*kW option	Temp Rise °F	# CKTS	208/1/60 (voltage code B) 220/1/50 (voltage code V) MOTOR AMP DRAW = 3.5 each		# CKTS	240/1/60 (voltage code J) MOTOR AMP DRAW = 3.5 each		# CKTS	208/3/60 (voltage code X) MOTOR AMP DRAW = 3.5 each		# CKTS	240/3/60 (voltage code Y) MOTOR AMP DRAW = 3.5 each	
				AMPS PER CIRCUIT (including motor)	BREAKER RATING PER CIRCUIT		AMPS PER CIRCUIT (including motor)	BREAKER RATING PER CIRCUIT		AMPS PER CIRCUIT (including motor)	BREAKER RATING PER CIRCUIT		AMPS PER CIRCUIT (including motor)	BREAKER RATING PER CIRCUIT
CHC10-1036E CHC10-1042E CHC10-1048E CHC10-1060E	14	24	2	26.0/44.9	35/60	2	23.0/38.9	30/50	1	42.4	60	1	37.2	50
	10	17	2	19.5/32.0	25/40	1	45.7	60	1	31.3	40	1	27.6	35
	8	14	1	42.0	60	1	36.9	50	1	25.7	35	1	22.7	30
	6	10	1	32.3	45	1	28.5	40	1	20.2	30	1	17.9	25
CHC10-2060E	21	24	3	40.7/33.7/33.7	50/45/45	3	36.2/29.2/29.2	45/40/40	2	26.4/38.9	35/50	2	23.8/33.6	30/45
	15	17	2	31.0/48.1	40/60	2	27.8/41.7	35/60	1	48.6	60	1	43.1	60
	12	14	2	26.2/38.5	35/50	2	23.7/33.3	30/45	1	40.3	50	1	35.9	45
	9	10	2	21.4/28.8	30/40	1	44.5	60	1	32.0	40	1	28.7	35
CHC10-2072E CHC10-2084E CHC10-2096E CHC10-2108E CHC10-2120E	28	24	3	48.4/48.4/44.9	60/60/60	3	45.9/38.9/38.9	60/50/50	2	45.9/38.9	60/50	2	40.7/33.7	60/45
	20	17	3	39.0/32.0/32.0	50/40/40	2	45.1/45.1	60/60	1	34.8/27.8	45/35	2	31.1/24.1	40/35
	16	14	2	45.5/38.5	60/50	2	40.4/33.4	50/45	2	29.2/22.2	40/30	1	45.5	60
	12	10	2	35.8/28.8	45/40	2	32.0/25.0	40/35	1	40.3	50	1	35.9	50
CHC10-3096E	35	24	-	N/A	N/A	-	N/A	N/A	3	29.9/38.9/38.9	40/50/50	3	27.3/33.7/33.7	35/45/45
	25	17	3	34.5/48.1/48.1	45/60/60	2	31.3/41.7/41.7	40/60/60	2	38.3/41.6	50/60	2	34.6/36.1	45/50
	20	14	3	29.7/38.5/38.5	40/50/50	3	43.8/33.3/16.7	60/45/25	2	32.7/33.3	40/45	2	29.7/28.9	40/40
	15	10	2	39.3/43.3	50/60	2	35.5/37.5	45/50	2	27.2/25.0	35/35	1	24.9/21.7	30/30
CHC10-3108E CHC10-3120E	42	24	-	N/A	N/A	-	N/A	N/A	2	45.9/42.4/38.9	60/60/50	3	44.2/33.7/33.7	60/45/45
	30	17	4	35.5/35.5/35.5/48.0	45/45/45/60	3	45.1/45.1/45.1	60/60/60	3	38.3/27.8/27.8	50/35/35	2	34.6/48.1	45/60
	24	14	3	42.0/42.0/42.0	60/60/60	3	36.9/36.9/36.9	50/50/50	2	32.7/44.4	40/60	2	29.7/38.5	40/50
	18	10	3	39.3/28.8/28.8	50/30/30	3	35.5/25.0/25.0	45/35/35	2	27.2/33.3	35/45	2	24.9/28.9	30/40



COMMERCIAL HIGH PERFORMANCE 10

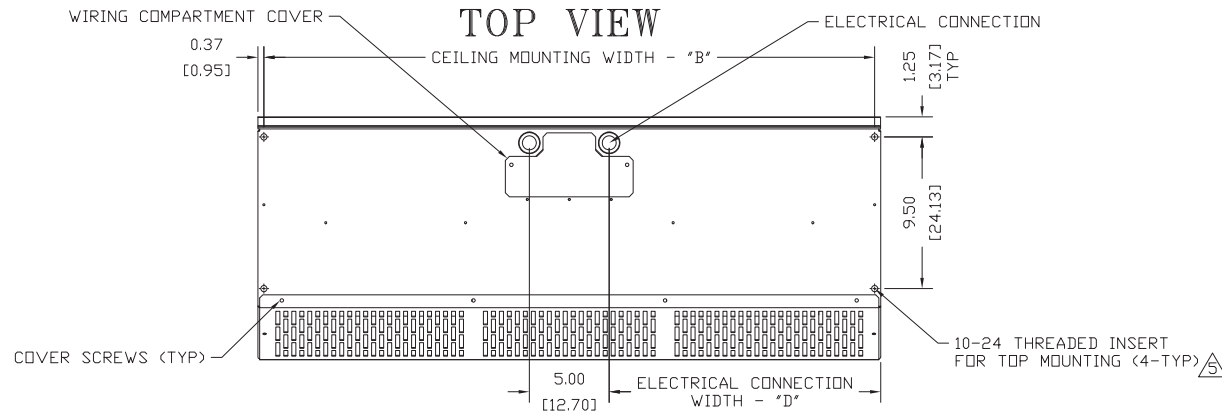
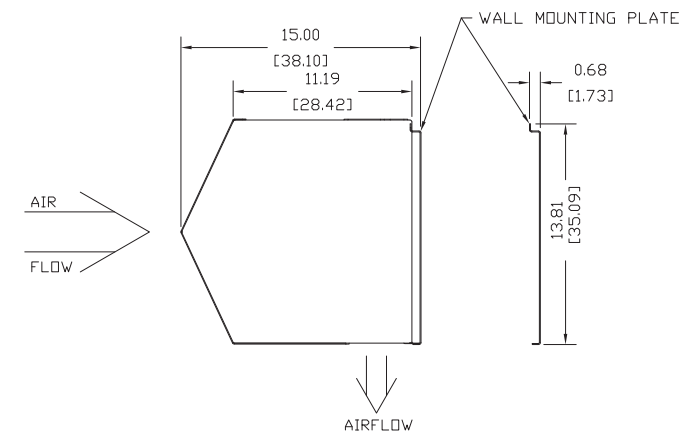
Electric Heated Air Curtain

Electrical Performance Sheet

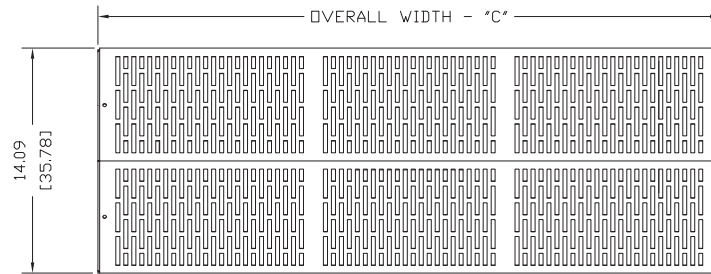
MODEL	*kW option	Temp Rise °F	480/3/60 (voltage code Z) MOTOR AMP DRAW = 1.4 each			600/3/60 (voltage code Q) MOTOR AMP DRAW = 1.0 each			380/3/50 (voltage code O) MOTOR AMP DRAW = 3.5 each		
			# CKTS	AMPS PER CIRCUIT (including motor)	BREAKER RATING PER CIRCUIT	# CKTS	AMPS PER CIRCUIT (including motor)	BREAKER RATING PER CIRCUIT	# CKTS	AMPS PER CIRCUIT (including motor)	BREAKER RATING PER CIRCUIT
CHC10-1036E CHC10-1042E CHC10-1048E CHC10-1060E	14	24	1	16.8	25	1	15.1	20	1	24.8	35
	10	17	1	13.4	20	1	11.0	15	1	18.7	25
	8	14	1	11.0	15	1	9.0	15	1	15.7	20
	6	10	1	8.6	15	1	7.0	15	1	12.6	20
CHC10-2060E	21	24	1	28.1	35	1	23.1	30	1	38.9	50
	15	17	1	20.8	30	1	17.1	25	1	29.8	40
	12	14	1	17.2	25	1	14.0	20	1	25.2	35
	9	10	1	13.6	20	1	11.0	15	1	20.7	25
CHC10-2072E CHC10-2084E CHC10-2096E CHC10-2108E CHC10-2120E	28	24	1	36.5	50	1	30.1	40	2	28.3/21.3	35/30
	20	17	1	26.9	35	1	22.1	30	1	37.4	50
	16	14	1	22.0	30	1	18.1	25	1	31.3	40
	12	10	1	17.2	25	1	14.0	20	1	25.2	35
CHC10-3096E	35	24	1	46.3	60	1	38.1	50	2	31.8/31.9	40/40
	25	17	1	34.3	45	1	28.1	35	2	48.5	60
	20	14	1	28.9	35	1	23.1	30	1	40.9	50
	15	10	1	22.2	30	1	18.1	25	1	33.3	40
CHC10-3108E CHC10-3120E	42	24	2	21.0/33.7	30/45	1	45.2	60	2	31.8/42.5	40/60
	30	17	1	40.3	50	1	33.1	45	2	25.7/30.4	35/40
	24	14	1	33.1	45	1	27.1	35	1	47.0	60
	18	10	1	25.9	35	1	21.1	30	1	37.8	50

CHC10 ELECTRIC HEATED

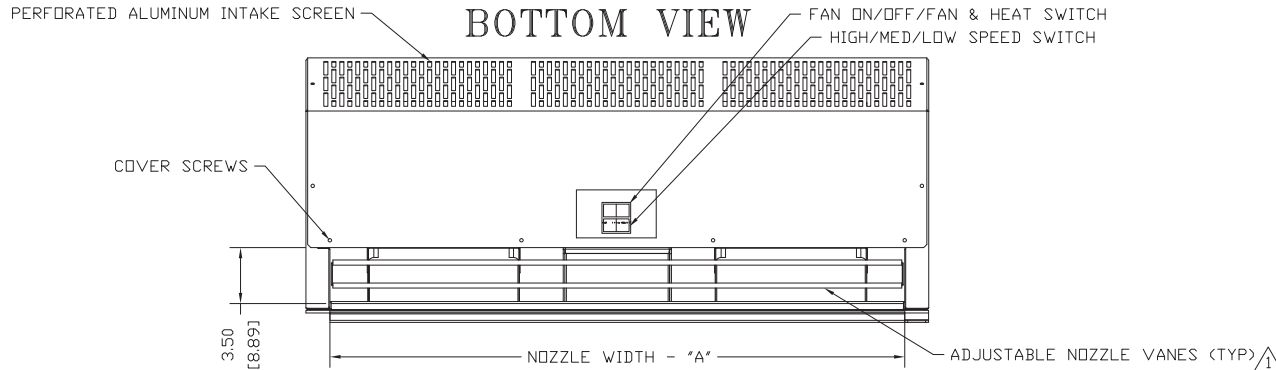
END VIEW



FRONT VIEW



BOTTOM VIEW



NOTES:

- ① AIR CURTAIN MUST BE INSTALLED SO AIR STREAM IS NOT OBSTRUCTED WHEN DEFLECTED 20° TO EITHER SIDE OF C.
- ② ELECTRICAL CONNECTIONS TO BE FLEXIBLE.
- ③ FIELD VERIFY DIMENSIONS.
- ④ ANCHORS TO SUPPORTING STRUCTURE BY OTHERS.
- ⑤ ADEQUACY OF SUPPORTING STRUCTURE IS TO BE VERIFIED BY A PROFESSIONAL STRUCTURAL ENGINEER.
- ⑥ LETTER 'E' IN MODEL NUMBER DESIGNATES ELECTRIC HEATED UNIT.
- ⑦ DIMENSIONS IN INCHES [CENTIMETERS].

MODEL	NOZZLE WIDTH 'A'	MOUNTING WIDTH 'B'	UNIT WIDTH 'C'	ELECTRIC WIDTH 'D'
CHC10-1036E	36.00 [91.44]	38.25 [97.16]	39.00 [99.06]	17.00 [43.18]
CHC10-1042E	42.00 [106.68]	44.25 [112.40]	45.00 [114.30]	20.00 [50.80]
CHC10-1048E	48.00 [121.92]	50.25 [127.64]	51.00 [129.54]	23.00 [58.42]
CHC10-1060E	60.00 [152.40]	62.25 [158.12]	63.00 [160.02]	29.00 [73.66]
CHC10-2060E	60.00 [152.40]	62.25 [158.12]	63.00 [160.02]	19.00 [48.26]
CHC10-2072E	72.00 [182.88]	74.25 [188.60]	75.00 [190.50]	17.00 [43.18]
CHC10-2084E	86.88 [220.66]	89.13 [226.38]	89.88 [228.28]	20.75 [52.71]
CHC10-2096E	98.88 [251.14]	101.13 [257.18]	101.88 [258.76]	23.75 [60.33]
CHC10-3096E	98.88 [251.14]	101.13 [257.18]	101.88 [258.76]	15.50 [39.37]
CHC10-2108E	110.88 [281.62]	113.13 [287.38]	113.88 [289.24]	26.75 [67.95]
CHC10-3108E	110.88 [281.62]	113.13 [287.38]	113.88 [289.24]	17.50 [44.45]
CHC10-2120E	116.25 [295.28]	118.50 [300.99]	119.25 [302.90]	28.06 [71.28]
CHC10-3120E	116.25 [295.28]	118.50 [300.99]	119.25 [302.90]	18.38 [46.67]

PROJECT		
LOCATION		
ARCHITECT		
ENGINEER		REV. -
DWG. NO.	CHC10-ELE	TITLE: BERNER
DATE	10NOV14	MODEL CHC10 AIR CURTAIN
BY	SBEIL	ELECTRIC HEATED SYSTEM
REPLACES	-	BERNER INTERNATIONAL CORP. NEW CASTLE, PA.
BY	-	