



COMMERCIAL HIGH PERFORMANCE 10

Ambient (Unheated) Air Curtain

Data Sheet

For Door Heights To 10' (environmental separation) and 8' (insect control)

STANDARD CONSTRUCTION

- 14" high x 15" deep
- 1/2 hp three speed motor(s)
- Factory installed fan speed switch
- White aluminum exterior cover (Optional: Custom Color or Stainless)
- Wall Mounting (Optional: Top)
- Optional: Filter (washable)

5 Year
Limited
Warranty



MODEL	Nozzle Width (in)	Max Vel. at Nozzle (fpm)	Avg. Outlet Vel. (fpm)	Air Volume (cfm)	Outlet Vel. Uniformity	Power Rating (kW)	Motor(s) @ hp	Net Wt. (lbs)
CHC10-1036A	36.00	5,917	2,071	1,812	72%	0.56	1 @ 1/2	50
CHC10-1042A	42.00	4,418	1,716	1,752	79%	0.57	1 @ 1/2	52
CHC10-1048A	48.00	3,815	1,613	1,882	55%	0.58	1 @ 1/2	53
CHC10-1060A	60.00	2,930	1,246	1,817	27%	0.59	1 @ 1/2	54
CHC10-2060A	60.00	3,963	1,869	2,726	74%	1.09	2 @ 1/2	70
CHC10-2072A	72.00	5,917	2,071	3,624	72%	1.12	2 @ 1/2	84
CHC10-2084A	87.00	4,418	1,657	3,504	79%	1.14	2 @ 1/2	104
CHC10-2096A	99.00	3,815	1,564	3,764	55%	1.17	2 @ 1/2	106
CHC10-3096A	99.00	2,930	1,886	4,538	72%	1.65	3 @ 1/2	120
CHC10-2108A	111.00	3,963	1,371	3,699	27%	1.18	2 @ 1/2	107
CHC10-3108A	111.00	5,917	2,015	5,436	72%	1.68	3 @ 1/2	150
CHC10-2120A	116.25	2,930	1,286	3,634	27%	1.19	2 @ 1/2	108
CHC10-3120A	116.25	4,418	1,903	5,376	72%	1.69	3 @ 1/2	152

NOTE: Operation at 50 Hz will generate approximately a 17% reduction in air performance.
 Berner does not recommend CHC10-1060A, exist only as an equivalent to competitors' models.
 See sheet EP-114 for amp draws/total load requirements.

VELOCITY PROFILE: Model CHC10-1036A			
Distance from Nozzle (in)	40	60	80
Core Velocity (fpm)	2133	1533	1303

MODEL NUMBER CONFIGURATION

CHC10-1 036 A A-R-SS

Series	# of Motors	Opening Width	Heat	Voltage	Opt. Switch	Opt. Cabinet Finish
CHC10	1, 2	036" - 120"	A=Ambient	*A=120/1/60 B=208/1/60 J=240/1/60 Z=480/3/60 Q=600/3/60 V=220/1/50	Remote Switch	SS=Stainless Steel CC=Custom Color

*Suitable for 50hz

Sound level measured 10' (3m) from the unit in free field:

1 motor:	Low/Medium/High Speed:	64/65/66 dBA
2 motors 60":	Low/Medium/High Speed:	66/67/68 dBA
2 motors:	Low/Medium/High Speed:	67/68/69 dBA
3 motors:	Low/Medium/High Speed:	67/68/69 dBA

Berner reserves the right to alter specifications without prior notice.



COMMERCIAL HIGH PERFORMANCE 10

Ambient (Unheated) Air Curtain

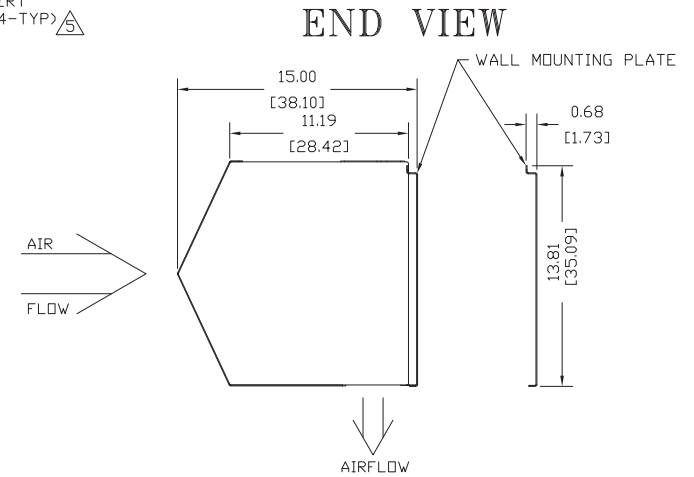
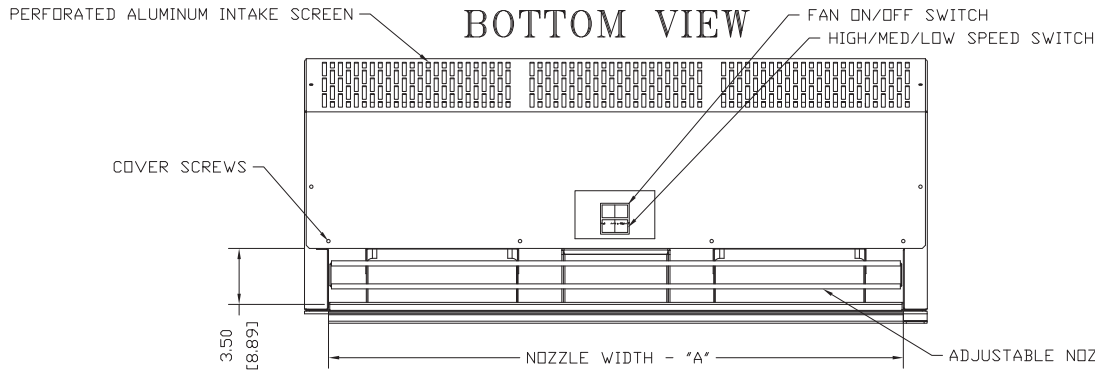
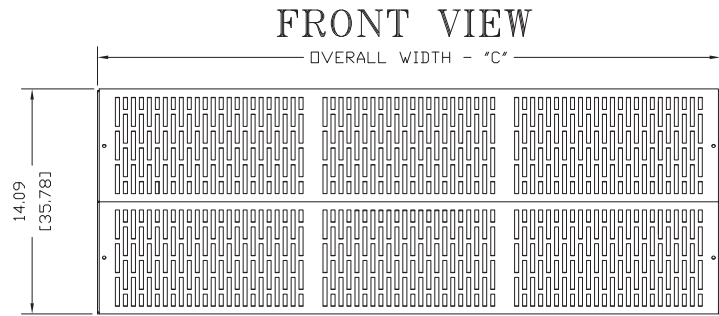
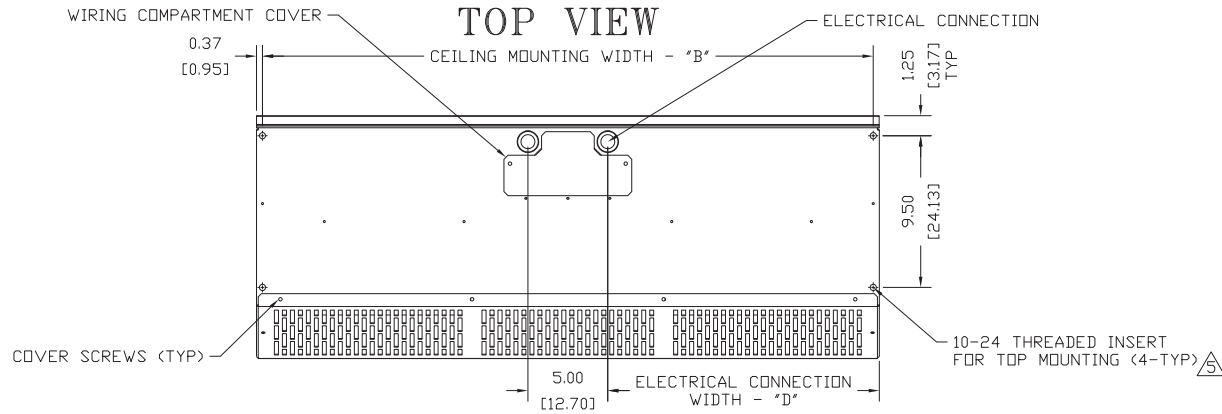
Electrical Performance Sheet

MODEL	# CKTS	120/1/60 (voltage code A) MOTOR AMP DRAW = 6.5 each		# CKTS	208/1/60 (voltage code B) or 220/1/50 (voltage code V) MOTOR AMP DRAW = 3.5 each		# CKTS	240/1/60 (voltage code J) MOTOR AMP DRAW = 3.5 each	
		AMPS PER CIRCUIT	BREAKER RATING PER CIRCUIT		AMPS PER CIRCUIT	BREAKER RATING PER CIRCUIT		AMPS PER CIRCUIT	BREAKER RATING PER CIRCUIT
CHC10-1036A CHC10-1042A CHC10-1048A CHC10-1060A	1	6.5	15	1	3.5	15	1	3.5	15
CHC10-2060A CHC10-2072A CHC10-2084A CHC10-2096A CHC10-2108A CHC10-2120A	1	13.0	20	1	7.0	15	1	7.0	15
CHC10-3096A CHC10-3108A CHC10-3120A	1	19.5	25	1	10.5	15	1	10.5	15

MODEL	# CKTS	480/3/60 (voltage code Z) MOTOR AMP DRAW = 1.4 each		# CKTS	600/3/60 (voltage code Q) MOTOR AMP DRAW = 1.0 each	
		AMPS PER CIRCUIT	BREAKER RATING PER CIRCUIT		AMPS PER CIRCUIT	BREAKER RATING PER CIRCUIT
CHC10-1036A CHC10-1042A CHC10-1048A CHC10-1060A	1	1.4	15	1	1.0	15
CHC10-2060A CHC10-2072A CHC10-2084A CHC10-2096A CHC10-2108A CHC10-2120A	1	2.8	15	1	2.0	15
CHC10-3096A CHC10-3108A CHC10-3120A	1	4.2	15	1	10.5	15

Berner reserves the right to alter specifications without prior notice.

CHC10 AMBIENT SYSTEM



NOTES:

- ⚠ AIR CURTAIN MUST BE INSTALLED SO AIR STREAM IS NOT OBSTRUCTED WHEN DEFLECTED 20° TO EITHER SIDE OF C.
- ⚠ ELECTRICAL CONNECTIONS TO BE FLEXIBLE.
- ⚠ FIELD VERIFY DIMENSIONS.
- ⚠ ANCHORS TO SUPPORTING STRUCTURE BY OTHERS.
- ⚠ ADEQUACY OF SUPPORTING STRUCTURE IS TO BE VERIFIED BY A PROFESSIONAL STRUCTURAL ENGINEER.
- ⚠ LETTER "A" IN MODEL NUMBER DESIGNATES AMBIENT UNIT.
- ⚠ DIMENSIONS IN INCHES [CENTIMETERS].

MODEL ⚠	NOZZLE WIDTH "A"	MOUNTING WIDTH "B"	UNIT WIDTH "C"	ELECTRIC WIDTH "D"
CHC10-1036A	36.00 [91.44]	38.25 [97.16]	39.00 [99.06]	17.00 [43.18]
CHC10-1042A	42.00 [106.68]	44.25 [112.40]	45.00 [114.30]	20.00 [50.80]
CHC10-1048A	48.00 [121.92]	50.25 [127.64]	51.00 [129.54]	23.00 [58.42]
CHC10-1060A	60.00 [152.40]	62.25 [158.12]	63.00 [160.02]	29.00 [73.66]
CHC10-2060A	60.00 [152.40]	62.25 [158.12]	63.00 [160.02]	19.00 [48.26]
CHC10-2072A	72.00 [182.88]	74.25 [188.60]	75.00 [190.50]	17.00 [43.18]
CHC10-2084A	86.88 [220.66]	89.13 [226.38]	89.88 [228.28]	20.75 [52.71]
CHC10-2096A	98.88 [251.14]	101.13 [257.18]	101.88 [258.76]	23.75 [60.33]
CHC10-3096A	98.88 [251.14]	101.13 [257.18]	101.88 [258.76]	15.50 [39.37]
CHC10-2108A	110.88 [281.62]	113.13 [287.38]	113.88 [289.24]	26.75 [67.95]
CHC10-3108A	110.88 [281.62]	113.13 [287.38]	113.88 [289.24]	17.50 [44.45]
CHC10-2120A	116.25 [295.28]	118.50 [300.99]	119.25 [302.90]	28.06 [71.28]
CHC10-3120A	116.25 [295.28]	118.50 [300.99]	119.25 [302.90]	18.38 [46.67]

PROJECT		
LOCATION		
ARCHITECT		
ENGINEER		REV. -
DWG. NO.	CHC10-AMB	TITLE: BERNER
DATE	14 OCT 14	MODEL CHC10 AIR CURTAIN
BY	D. Johnson	AMBIENT SYSTEM
REPLACES	-	BERNER INTERNATIONAL CORP. NEW CASTLE, PA.
BY	-	