



COMMERCIAL LOW PROFILE 8

Steam Heated Air Curtain

Data Sheet

For Door Heights To 8' (environmental separation)

STANDARD CONSTRUCTION

- 8 1/2" high x 13 1/2" deep
 - 1/5 hp two speed motor(s)
 - Factory installed fan speed/heat switch
 - White powder coated exterior (Optional: Custom Color or Stainless)
 - Wall & Top Mounting
 - Optional: Filter (washable)
- Coil Features:
 - Galvanized steel casing
 - 5/8" copper tube with .035" wall
 - Aluminum fins
 - Leak tested at 450 PSI

2 Year
Limited
Warranty



MODEL	Nozzle Width (in)	Max Vel. at Nozzle (fpm)	Avg. Outlet Vel. (fpm)	Air Volume (cfm)	Outlet Vel. Uniformity	Power Rating (kW)	Motor(s) @ hp	Coil Output (MBH)	Inlet Pressure (PSIG)	Condensate (lbs/hr)	Air Temp. Rise (°F)	Net Wt. (lbs)
CLC08-1036S	34.62	3,567	1,760	1,005	92%	0.32	1 @ 1/5	43.8	5	45.1	40°	67
CLC08-1042S	40.62	3,388	1,755	1,176	93%	0.32	1 @ 1/5	51.8	5	53.4	40°	74
CLC08-1048S	46.62	3,226	1,742	1,340	94%	0.32	1 @ 1/5	59.6	5	61.4	41°	80
CLC08-1060S	58.13	2,940	1,702	1,632	95%	0.32	1 @ 1/5	74.2	5	76.5	42°	94
CLC08-1072S	71.37	2,870	1,707	2,010	95%	0.32	1 @ 1/5	91.8	5	94.6	42°	107
CLC08-2084S	83.50	3,388	1,707	2,351	93%	0.64	2 @ 1/5	107.7	5	111.0	42°	138
CLC08-2096S	95.50	3,226	1,701	2,679	94%	0.64	2 @ 1/5	123.3	5	127.1	42°	152
CLC08-2108S	107.00	3,226	1,684	2,971	94%	0.64	2 @ 1/5	138.7	5	143.0	43°	164
CLC08-2120S	118.50	2,940	1,670	3,263	95%	0.64	2 @ 1/5	152.5	5	157.2	43°	177

NOTES:

1. Operation at 50 Hz will generate approximately a 17% reduction in performance.
2. Performance data based on unheated units.
3. Coil performance based on 65°F entering air temperature.
4. Standard connection same end supply/return.
5. Coil should be field supplied with a solenoid valve that energizes only when air curtain is energized. Consideration must be taken for freeze protection when necessary.
6. Maximum leaving air temperature shall not exceed 120°F.
7. Consult factory for alternate steam pressures or vertically mounted units.

See sheet EP-104 for amp draws/total load requirements.

MODEL NUMBER CONFIGURATION

CLC08-1 036 S A-R-SS

Series	# of Motors	Opening Width	Heat	Voltage	Opt. Switch	Opt. Cabinet Finish
CLC08	1, 2	036" - 120"	S=Steam Heated	*A=120/1/60 B=208/1/60 J=240/1/60 Z=480/3/60 Q=600/3/60 V=220/1/50	Remote Switch	SS=Stainless Steel CC=Custom Color

*Suitable for 50hz

Sound level measured 10' (3m) from the unit in free field:
1 motor: Low/High Speed: 53/54 dBA
2 motors: Low/High Speed: 56/57 dBA

Berner reserves the right to alter specifications without prior notice.



COMMERCIAL LOW PROFILE 8

Steam Heated Air Curtain

Electrical Performance Sheet

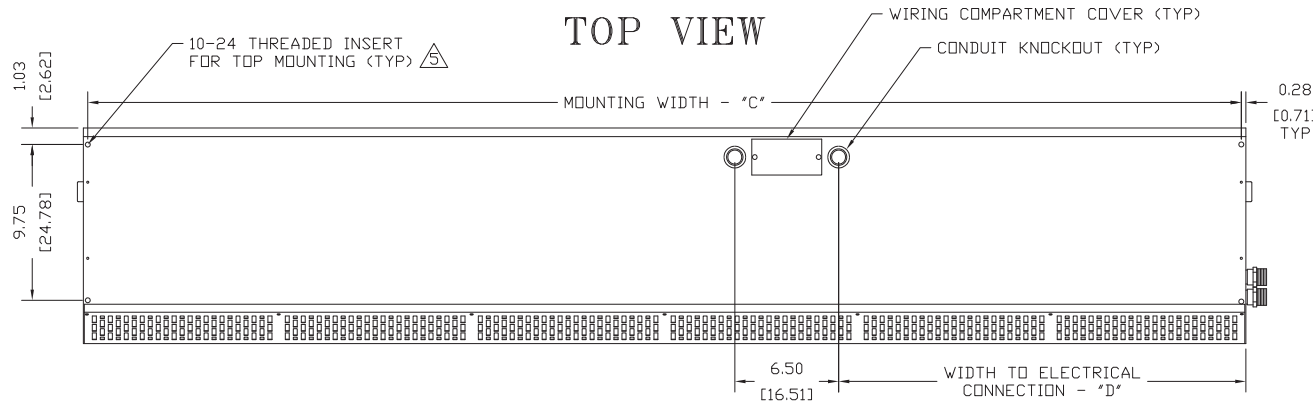
		120/1/60 (voltage code A) MOTOR AMP DRAW = 3.4 each		208/1/60 (voltage code B) or 220/1/50 (voltage code V) MOTOR AMP DRAW = 1.7 each		240/1/60 (voltage code J) MOTOR AMP DRAW = 1.7 each			
MODEL	# CKTS	AMPS PER CIRCUIT	BREAKER RATING PER CIRCUIT	# CKTS	AMPS PER CIRCUIT	BREAKER RATING PER CIRCUIT	# CKTS	AMPS PER CIRCUIT	BREAKER RATING PER CIRCUIT
CLC08-1036S CLC08-1042S CLC08-1048S CLC08-1060S CLC08-1072S	1	3.4	15	1	1.7	15	1	1.7	15
CLC08-2084S CLC08-2096S CLC08-2108S CLC08-2120S	1	6.8	15	1	3.4	15	1	3.4	15

		480/3/60 (voltage code Z) MOTOR AMP DRAW = 0.9 each		600/3/60 (voltage code Q) MOTOR AMP DRAW = 0.6 each		
MODEL	# CKTS	AMPS PER CIRCUIT	BREAKER RATING PER CIRCUIT	# CKTS	AMPS PER CIRCUIT	BREAKER RATING PER CIRCUIT
CLC08-1036S CLC08-1042S CLC08-1048S CLC08-1060S CLC08-1072S	1	0.9	15	1	0.6	15
CLC08-2084S CLC08-2096S CLC08-2108S CLC08-2120S	1	1.8	15	1	1.2	15

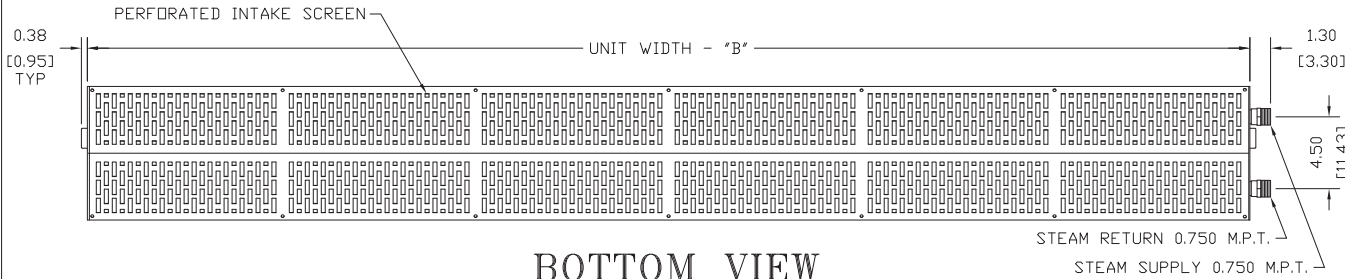
Berner reserves the right to alter specifications without prior notice.

CLC08 STEAM HEATED

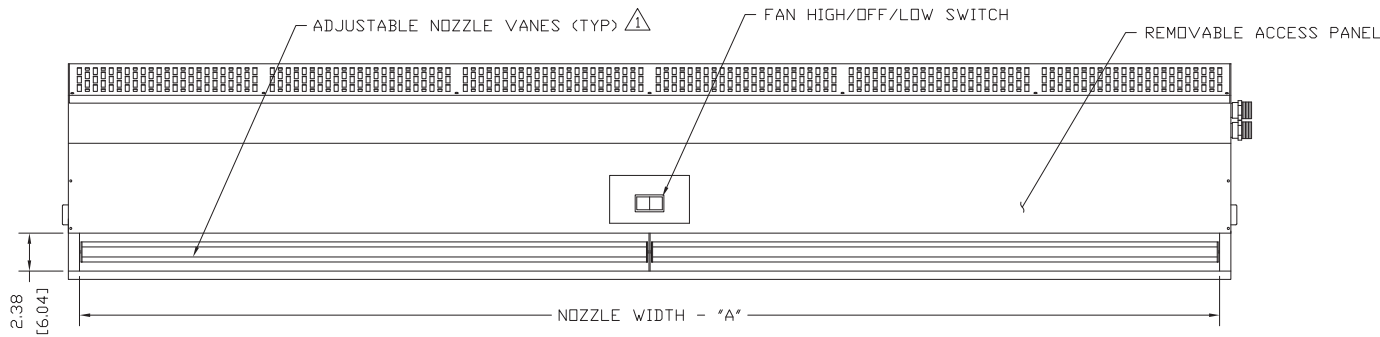
TOP VIEW



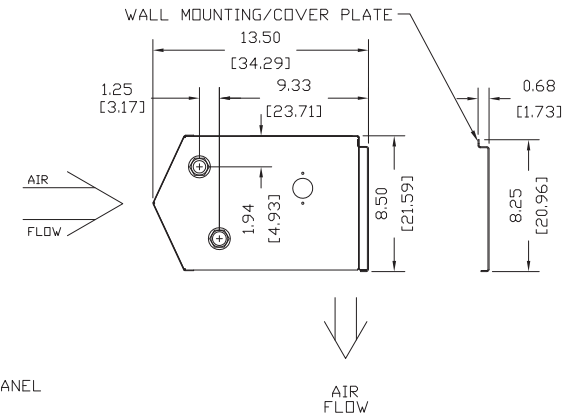
FRONT VIEW



BOTTOM VIEW



END VIEW



NOTES:

- 1 AIR CURTAIN MUST BE INSTALLED SO AIR STREAM IS NOT OBSTRUCTED WHEN DEFLECTED 20° TO EITHER SIDE OF C.
- 2 ELECTRICAL CONNECTIONS TO BE FLEXIBLE.
- 3 FIELD VERIFY DIMENSIONS.
- 4 ANCHORS TO SUPPORTING STRUCTURE BY OTHERS.
- 5 ADEQUACY OF SUPPORTING STRUCTURE IS TO BE VERIFIED BY A PROFESSIONAL STRUCTURAL ENGINEER.
- 6 LETTER 'S' IN MODEL NUMBER DESIGNATES STEAM HEATED UNIT.
- 7 DIMENSIONS IN INCHES [CENTIMETERS].

MODEL	NOZZLE WIDTH "A"	UNIT WIDTH "B"	MOUNTING WIDTH "C"	ELECTRIC WIDTH "D"
CLC08-1036S	34.62 [87.95]	36.06 [91.60]	35.50 [90.17]	7.13 [18.10]
CLC08-1042S	40.62 [103.17]	42.06 [106.83]	41.50 [105.41]	13.13 [33.34]
CLC08-1048S	46.62 [118.41]	48.06 [122.07]	47.50 [120.65]	13.13 [33.34]
CLC08-1060S	58.13 [147.65]	59.55 [151.26]	59.00 [149.86]	18.88 [47.94]
CLC08-1072S	71.37 [181.28]	72.81 [184.94]	72.25 [183.52]	25.50 [64.80]
CLC08-2084S	83.50 [212.09]	84.94 [215.74]	84.38 [214.31]	13.13 [33.34]
CLC08-2096S	95.50 [242.57]	96.94 [246.23]	96.38 [244.79]	13.13 [33.34]
CLC08-2108S	107.00 [271.78]	108.44 [275.44]	107.88 [274.00]	18.88 [47.94]
CLC08-2120S	118.50 [300.99]	119.94 [304.65]	119.38 [303.21]	18.88 [47.94]

PROJECT		
LOCATION		
ARCHITECT		
ENGINEER		
DWG. NO.	CLC08-STM	TITLE: BERNER
DATE	14 OCT 14	MODEL CLC08 AIR CURTAIN
BY	S. Beil	STEAM HEATED SYSTEM
REPLACES	-	
BY	-	BERNER INTERNATIONAL CORP. NEW CASTLE, PA.