

**STANDARD FEATURES**

- ◆ ½ hp three speed motor(s)
- ◆ Galvanized steel blower wheels & housing
- ◆ Aluminum airfoil directional vanes
- ◆ Filter frame (filters sold separately)
- ◆ Factory installed fan speed selector switch
- ◆ Clear anodized aluminum cover housing
- ◆ Wall mounting plate & 5/16" threaded inserts for top mounting

- ◆ Licensed to bear AMCA Air Performance Seal
- ◆ UL Listed (United States, Canada)
- ◆ Five year parts warranty
- ◆ Crafted with Pride in the USA

**OPTIONAL FEATURES**

- ◆ Bronze anodized aluminum finish
- ◆ Stainless steel finish

MODEL	Nozzle Width (in)	Max. Velocity (fpm)	Avg. Outlet Velocity (fpm)	Air Volume (scfm)	Motor(s) @ hp	Power Rating (kW)†	Outlet Velocity Uniformity (%)	Net Wgt (lbs)	Ship Wgt (lbs)
DP21036A	36.75	3000	2121	1346	1 @ ½	.52	91	65	100
DP21042A	42.75	3000	1830	1390	1 @ ½	.52	86	68	118
DP21048A	48.75	3000	1663	1417	1 @ ½	.52	71	70	125
DP22048A	48.75	3000	2241	1896	2 @ ½	.71	92	95	138
DP22060A	60.75	3000	2393	2540	2 @ ½	1.01	92	125	160
DP22072A	74.50	3000	2121	2692	2 @ ½	1.04	91	130	174
DP22084A	86.50	3000	1830	2780	2 @ ½	1.04	86	140	195
DP22096A	98.50	3000	1663	2834	2 @ ½	1.04	71	145	210
DP23096A	98.50	3000	2241	3792	3 @ ½	1.56	92	165	216
DP23108A	112.25	3000	2121	4038	3 @ ½	1.56	91	170	237
DP23120A	118.25	3000	1957	4082	3 @ ½	1.56	86	175	268

Performance data is based on high speed. Consult factory for low speed and medium speed.

MOTOR VOLTAGES/AMP DRAWS					
VOLTS	120	208	240	110*	220*
PHASE	1	1	1	1	1
HERTZ	60	60	60	50	50
AMPS per MOTOR	7.2	4.0	4.0	6.0	3.0

\*Operation at 50 Hz will generate approximately a 17% reduction in performance.

VELOCITY PROJECTION <i>Model: DP21036</i>			
Distance from Nozzle (ft)	3	4	5
Core Velocity (fpm)	1600	1367	1233

Sound level measured 10' (3m) from the unit in free field:  
 1 Motor: Low/Medium/High Speed **51/54/56 dBA**  
 2 Motors: Low/Medium/High Speed **54/56/59 dBA**  
 3 Motors: Low/Medium/High Speed **57/60/62 dBA**

*AMCA Seal applies to air performance only.*



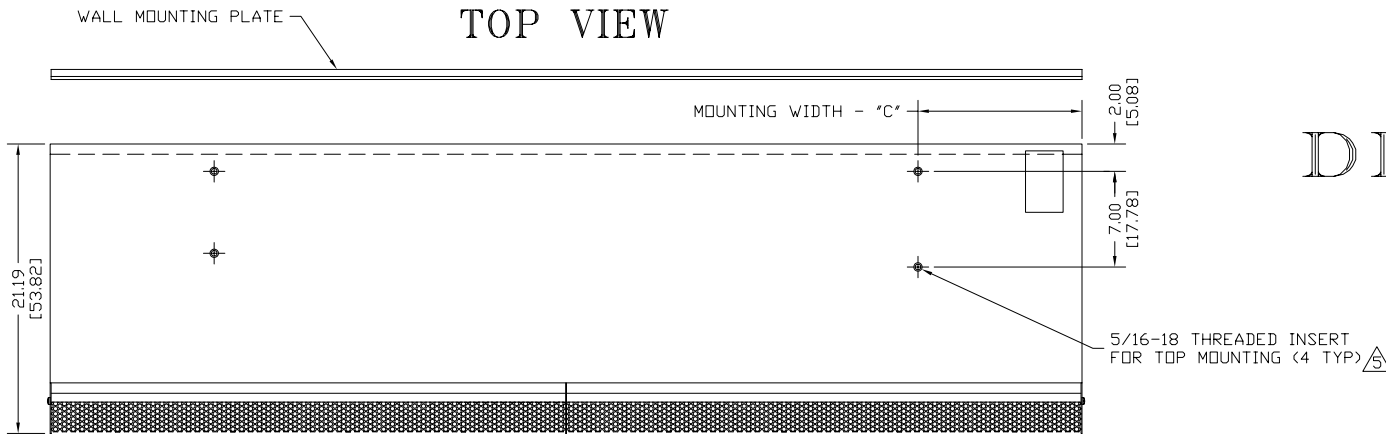
Berner International Corporation certifies that the air curtains shown herein are licensed to bear the AMCA Seal. The ratings shown are based on tests and procedures performed in accordance with AMCA Publication 211 and comply with the requirements of the AMCA Certified Ratings Program.  
 Rated data shown is for base unheated units.

AMCA Certified Ratings Seal applies to airflow rate, average outlet velocity, outlet velocity uniformity, velocity projection and power rating at free delivery only.

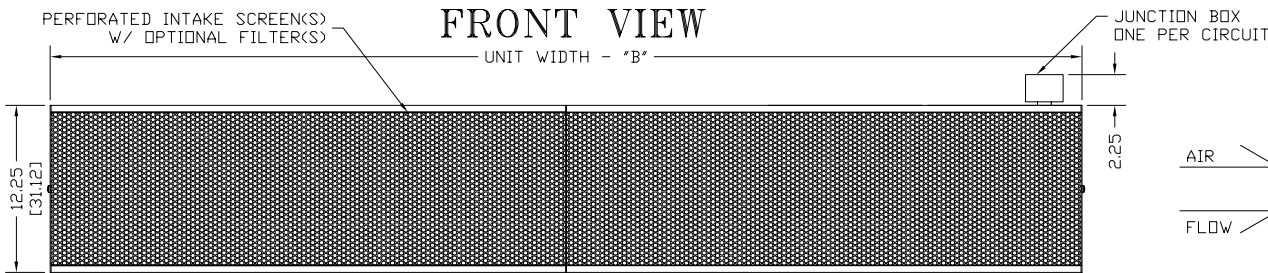


*Berner reserves the right to alter specifications without prior notice*

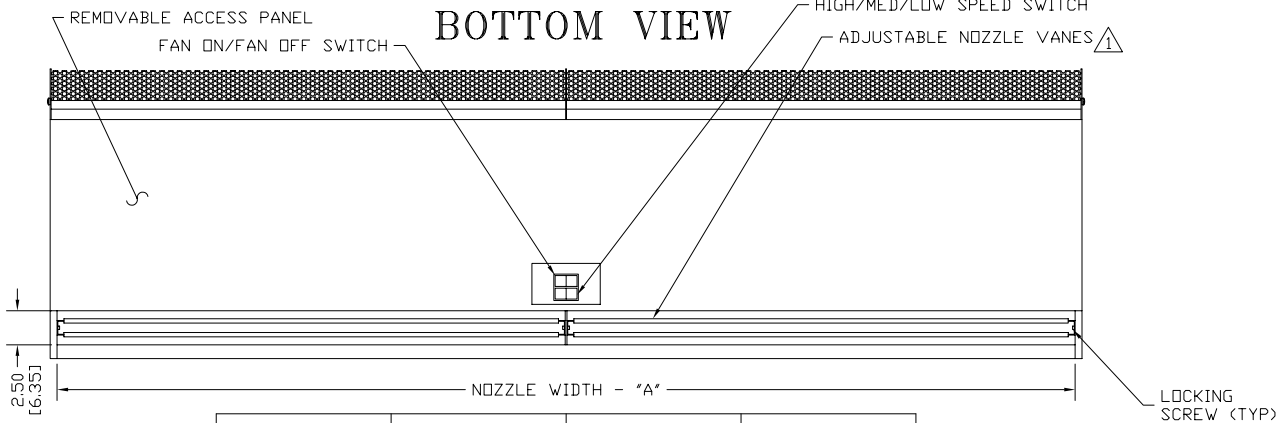
# TOP VIEW



# FRONT VIEW

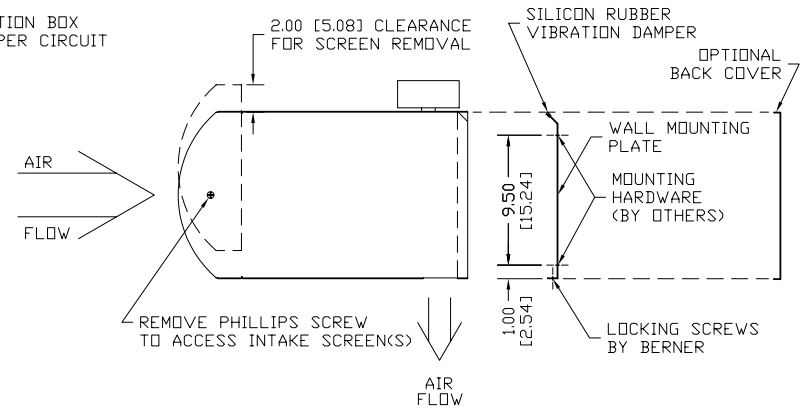


# BOTTOM VIEW



# DIPLOMAT II AMBIENT SYSTEM

# END VIEW



# NOTES:

- ① AIR CURTAIN MUST BE INSTALLED SO AIR STREAM IS NOT OBSTRUCTED WHEN DEFLECTED 20° TO EITHER SIDE OF C.
- ② ELECTRICAL CONNECTIONS TO BE FLEXIBLE.
- ③ FIELD VERIFY DIMENSIONS.
- ④ ANCHORS TO SUPPORTING STRUCTURE BY OTHERS.
- ⑤ ADEQUACY OF SUPPORTING STRUCTURE IS TO BE VERIFIED BY A PROFESSIONAL STRUCTURAL ENGINEER.
- ⑥ LETTER "A" IN MODEL NUMBER DESIGNATES AMBIENT UNIT.
- ⑦ DIMENSIONS IN INCHES [CENTIMETERS].

MODEL ⑥	NOZZLE WIDTH "A"	UNIT WIDTH "B"	MOUNTING WIDTH "C"
DP21036A	36.75 [93.35]	37.75 [95.89]	8.00 [20.32]
DP21042A	42.75 [108.59]	43.75 [111.13]	8.00 [20.32]
DP21048A	48.75 [123.83]	49.75 [126.37]	10.00 [25.40]
DP22048A	48.75 [123.83]	49.75 [126.37]	8.00 [20.32]
DP22060A	60.75 [153.31]	61.75 [156.85]	8.00 [20.32]
DP22072A	74.50 [189.23]	75.50 [191.77]	12.00 [30.48]
DP22084A	86.50 [219.71]	87.50 [217.17]	12.00 [30.48]
DP22096A	98.50 [250.19]	99.50 [252.73]	27.00 [68.58]
DP23096A	98.50 [250.19]	99.50 [252.73]	27.00 [68.58]
DP23108A	112.25 [285.12]	113.25 [287.66]	27.00 [68.58]
DP23120A	118.25 [300.36]	119.25 [302.90]	27.00 [68.58]

PROJECT		
LOCATION		
ARCHITECT		
ENGINEER		
DWG. NO.	MINU2857	TITLE: <b>BERNER</b>
DATE	30JAN06	MODEL DIPLOMAT II AIR CURTAIN
BY	B. Peffer	AMBIENT SYSTEM
REPLACES	04JAN06	
BY	A. Johnston	BERNER INTERNATIONAL CORP. NEW CASTLE, PA.