

**STANDARD FEATURES**

- ◆ ½ hp three speed motors
- ◆ Galvanized steel blower wheels and housing
- ◆ Aluminum air directional vanes
- ◆ Filter frame (filters sold separately)
- ◆ Clear anodized aluminum cover housing
- ◆ Wall mounting plate & 5/16" nut inserts for top mounting
- ◆ Two year parts warranty
- ◆ Crafted with Pride in the USA

**HEATING COIL FEATURES**

- ◆ 16 gauge galvanized steel casing
- ◆ Factory mounted 5/8" O.D. copper steam/hot water coil
- ◆ Heavy wall seamless copper headers
- ◆ Aluminum fins
- ◆ Hand brazed joints
- ◆ Leak tested @ 325 psig dry nitrogen

**OPTIONAL FEATURES**

- ◆ Bronze anodized aluminum finish
- ◆ Stainless steel finish

MODEL	Nozzle Width (in)	Max. Velocity (fpm)	Avg. Outlet Velocity (fpm)	Air Volume	Motor(s) @ hp	Power Rating (kW)	Outlet Velocity Uniformity (%)	Steam: Capacity (mtbu/hr) <sup>1</sup>	Temp Rise °F	Hot Water: Capacity (mbu/hr) <sup>2</sup>	Temp Rise °F	Net Wgt (lbs)	Ship Wgt (lbs)
DP21036*	36.75	3000	2121	1346	1 @ ½	.52	91	57	34	39	26	80	120
DP21042*	42.75	3000	1830	1390	1 @ ½	.52	86	62	37	43	29	84	140
DP21048*	48.75	3000	1663	1417	1 @ ½	.52	71	67	39	48	31	86	155
DP22048*	48.75	3000	2241	1896	2 @ ½	.71	92	77	34	56	27	115	197
DP22060*	60.75	3000	2393	2540	2 @ ½	1.01	92	100	33	74	27	150	210
DP22072*	74.50	3000	21110	2692	2 @ ½	1.04	91	115	36	85	29	160	222
DP22084*	86.50	3000	1830	2780	2 @ ½	1.04	86	126	38	95	31	175	227
DP22096*	98.50	3000	1663	2834	2 @ ½	1.04	71	134	43	101	33	185	233
DP23096*	98.50	3000	2241	3792	3 @ ½	1.56	92	151	37	120	29	205	240
DP23108*	112.25	3000	2121	4038	3 @ ½	1.56	91	173	36	133	30	215	248
DP23120*	118.25	3000	1957	4082	3 @ ½	1.56	86	179	37	138	31	225	270

\* S = STEAM; W = HOT WATER

Performance data based on high speed.

<sup>1</sup>Steam rating based on 70° entering air and 5 psig steam.

<sup>2</sup>Hot Water based on 70° entering air and 200° entering water temperature.

MOTOR VOLTAGES/AMP DRAWS					
VOLTS	120	208	240	110*	220*
PHASE	1	1	1	1	1
HERTZ	60	60	60	50	50
AMPS per MOTOR	7.2	4.0	4.0	6.0	3.0

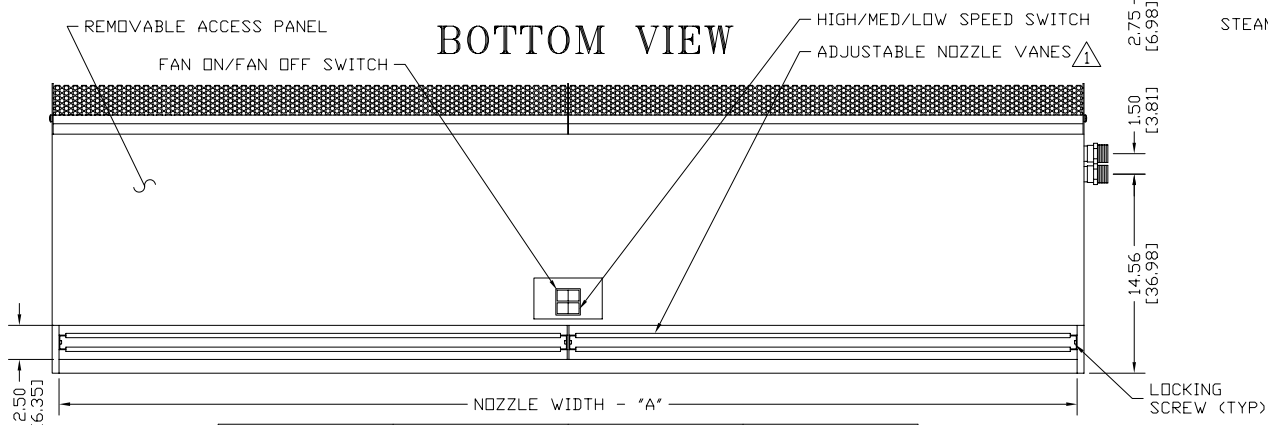
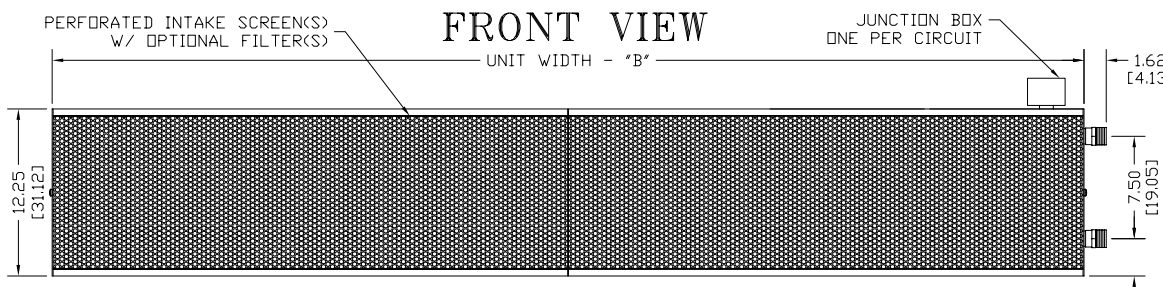
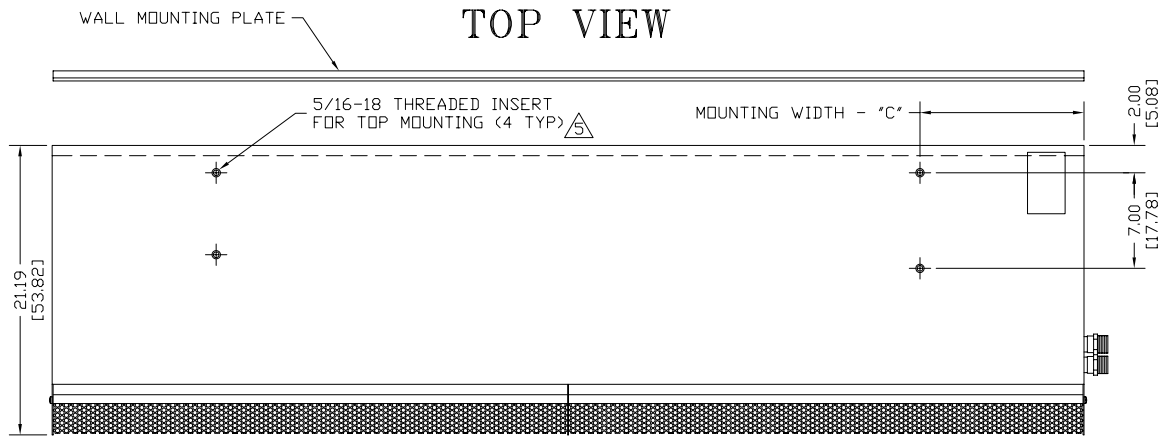
\* Operation at 50 Hz will generate approximately a 17% reduction in performance.

Sound level measured 10' from the unit in free field:  
 1 Motor: Low/Medium/High Speed 51/54/56 dBA  
 2 Motors: Low/Medium/High Speed 54/56/59 dBA  
 3 Motors: Low/Medium/High Speed 57/60/62 dBA



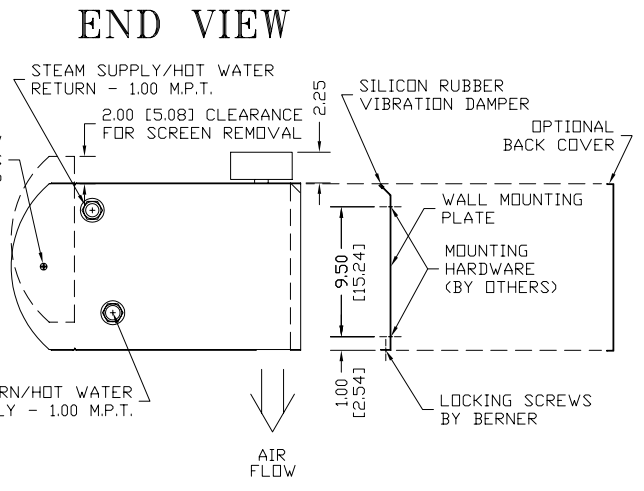
*Berner reserves the right to alter specifications without prior notice.*

# DIPLOMAT II STEAM/HOT WATER HEATED



MODEL	NOZZLE WIDTH "A"	UNIT WIDTH "B"	MOUNTING WIDTH "C"
DP21036*	36.75 [93.35]	37.75 [95.89]	8.00 [20.32]
DP21042*	42.75 [108.59]	43.75 [111.13]	8.00 [20.32]
DP21048*	48.75 [123.83]	49.75 [126.37]	10.00 [25.40]
DP22048*	48.75 [123.83]	49.75 [126.37]	8.00 [20.32]
DP22060*	60.75 [153.31]	61.75 [156.85]	8.00 [20.32]
DP22072*	74.50 [189.23]	75.50 [191.77]	12.00 [30.48]
DP22084*	86.50 [219.71]	87.50 [217.17]	12.00 [30.48]
DP22096*	98.50 [250.19]	99.50 [252.73]	27.00 [68.58]
DP23096*	98.50 [250.19]	99.50 [252.73]	27.00 [68.58]
DP23108*	112.25 [285.12]	113.25 [287.66]	27.00 [68.58]
DP23120*	118.25 [300.36]	119.25 [302.90]	27.00 [68.58]

\* S = STEAM; W = HOT WATER



## NOTES:

- ① AIR CURTAIN MUST BE INSTALLED SO AIR STREAM IS NOT OBSTRUCTED WHEN DEFLECTED 20° TO EITHER SIDE OF  $\phi$ .
- ② ELECTRICAL CONNECTIONS TO BE FLEXIBLE.
- ③ FIELD VERIFY DIMENSIONS.
- ④ ANCHORS TO SUPPORTING STRUCTURE BY OTHERS.
- ⑤ ADEQUACY OF SUPPORTING STRUCTURE IS TO BE VERIFIED BY A PROFESSIONAL STRUCTURAL ENGINEER.
- ⑥ DIMENSIONS IN INCHES (CENTIMETERS).

PROJECT		
LOCATION		
ARCHITECT		
ENGINEER		
DWG. NO.	MINU2859	TITLE: <b>BERNER</b>
DATE	30JAN06	MODEL DIPLOMAT II AIR CURTAIN
BY	B. Peffer	STEAM/HOT WATER HEATED
REPLACES	04JAN06	
BY	A. Johnston	BERNER INTERNATIONAL CORP. NEW CASTLE, PA.