

STANDARD FEATURES

- ◆ Compact and light-weight
- ◆ “No Tool” filter removal (patent pending)
- ◆ “Mount Anywhere” bracket system (patent pending)
- ◆ Powder coated extruded aluminum exterior cabinet
- ◆ 6’ plug-in type power cord
- ◆ One year parts warranty
- ◆ Crafted with Pride in the USA

UNHEATED DRIVE-THRU UNIT DATA									
MODEL	Nozzle Width (in)	Max. Velocity (fpm)	Avg. Outlet Velocity (fpm)	Air Volume (scfm)	# Motor(s) @ hp	Power Rating (kW)	Outlet Velocity Unif. (%)	Net Wgt. (lbs)	Ship Wgt. (lbs)
DTU1018AA	18"	2800	1050	135	1 @ 1/12	.06	76.0	11	13
DTU2026AA	26"	2800	1050	200	1 @ 1/12, 1 @ 1/20	.1	79.0	16	18

ELECTRIC HEATED DRIVE-THRU UNIT DATA											
MODEL	Nozzle Width (in)	Max. Velocity (fpm)	Avg. Outlet Velocity (fpm)	Air Volume (scfm)	# Motor(s) @ hp	Power Rating (kW)	Outlet Velocity Unif. (%)	Electric Capacity (kW)	Temp Rise (°F)	Net Wgt. (lbs)	Ship Wgt. (lbs)
DTU1018EA	18"	2800	1050	135	1 @ 1/12	.06	76.0	2	47	12	14
DTU2026EA	26"	2800	1050	200	1 @ 1/12, 1 @ 1/20	.1	79.0	2	31	18	19

MOTOR VOLTAGES/AMP DRAWS				
	DTU1018AA	DTU2026AA	DTU1018EA	DTU2026EA
VOLTS	120	120	120	120
PHASE	1	1	1	1
HERTZ	60	60	60	60
AMPS	1.6	2.2	18.3*	18.9*

* Power cord requires 20 amp receptacle.

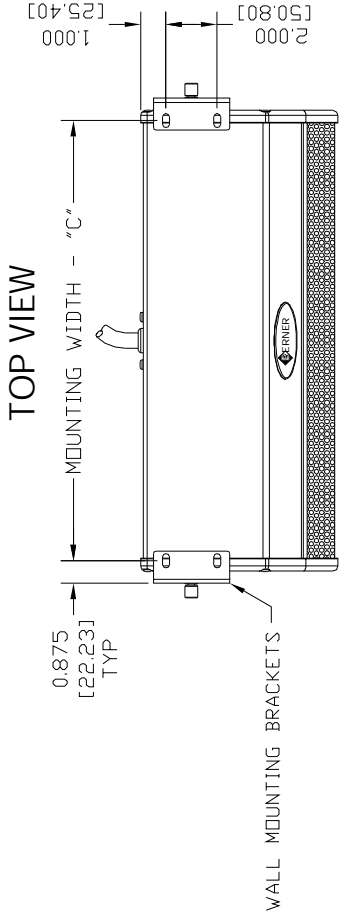


Sound level measured 10’ (3m) from the unit in free field:
DTU (1 MOTOR) 51.5 dBA
DTU (2 MOTORS) 52.0 dBA

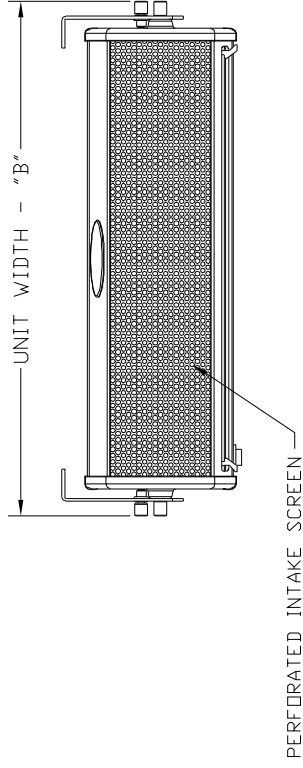
VELOCITY PROJECTION		
Distance from Nozzle (in)	1	36
Core Velocity (fpm)	1622	783

Berner reserves the right to alter specifications without prior notice.

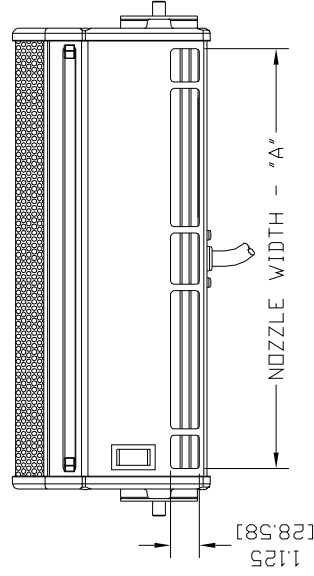
DRIVE THRU UNIT



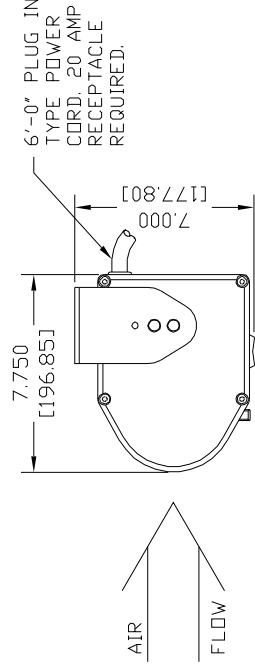
FRONT VIEW



BOTTOM VIEW



END VIEW



NOTES:

1. AIR CURTAIN MUST BE INSTALLED SO AIR STREAM IS NOT OBSTRUCTED WHEN DEFLECTED 20° TO EITHER SIDE OF \bar{C} .
2. ELECTRICAL CONNECTIONS TO BE FLEXIBLE.
3. FIELD VERIFY DIMENSIONS.
4. ANCHORS TO SUPPORTING STRUCTURE BY OTHERS.
5. ADEQUACY OF SUPPORTING STRUCTURE IS TO BE VERIFIED BY A PROFESSIONAL STRUCTURAL ENGINEER.
6. DIMENSIONS IN INCHES (CENTIMETERS).

MODEL	NOZZLE WIDTH "A"	UNIT WIDTH "B"	MOUNTING WIDTH "C"
DTU1018	16.500 [41.91]	20.125 [51.12]	17.250 [43.82]
DTU1026	24.500 [62.23]	28.125 [71.43]	25.250 [64.14]

PROJECT			
LOCATION			
ARCHITECT			
ENGINEER			
DWG. NO.	DTUW0012	TITLE:	BERNER
DATE	10DEC08		DRIVE THRU AIR CURTAIN
BY	A. Johnston		
REPLACES	-		
BY	-		

BERNER INTERNATIONAL CORP.
NEW ORLEANS