

For Door Heights To 12' (environmental separation) and 10' (insect control)

STANDARD CONSTRUCTION

- ½ hp single speed motor(s) - direct drive (Optional: three-speed)
- Gray powder coated exterior with mill aluminum screen and access panels (Optional: Custom Color or Stainless)
- Wall & Top Mounting
- Front air intake (Optional: top)
- High efficiency Pro-V Nozzle



Berner International Corporation certifies that the air curtains shown herein are licensed to bear the AMCA Seal. The ratings shown are based on tests and procedures performed in accordance with AMCA Publication 211 and comply with the requirements of the AMCA Certified Ratings Program. Rated data shown is for base (unheated) units. The AMCA Certified Ratings Seal applies to airflow rate, average outlet velocity, outlet velocity uniformity, velocity projection and power rating at free delivery only.

Models IDC12-1060A, IDC12-2108A and IDC12-2120A are not licensed to bear the AMCA seal.

5 Year Limited Warranty



for outdoor use

| MODEL | Nozzle Width (in) | Max Vel. at Nozzle (fpm) | Avg. Outlet Vel. (fpm) | Air Volume (cfm) | Outlet Vel. Uniformity | Power Rating (kW) | Motor(s) @ hp | Net Wt. (lbs) |
|-------------|-------------------|--------------------------|------------------------|------------------|------------------------|-------------------|---------------|---------------|
| IDC12-1036A | 36.00 | 5,166 | 1,728 | 1,512 | 87% | 0.51 | 1 @ 1/2 | 100 |
| IDC12-1042A | 42.00 | 5,550 | 1,551 | 1,583 | 89% | 0.52 | 1 @ 1/2 | 106 |
| IDC12-1048A | 48.00 | 5,292 | 1,366 | 1,594 | 78% | 0.53 | 1 @ 1/2 | 111 |
| IDC12-1060A | 66.00 | 5,079 | 1,019 | 1,634 | 74% | 0.54 | 1 @ 1/2 | 122 |
| IDC12-2060A | 66.00 | 4,781 | 1,827 | 2,931 | 85% | 0.99 | 2 @ 1/2 | 169 |
| IDC12-2072A | 72.00 | 5,166 | 1,728 | 3,024 | 87% | 1.02 | 2 @ 1/2 | 178 |
| IDC12-2078A | 78.00 | 5,166 | 1,633 | 3,095 | 87% | 1.03 | 2 @ 1/2 | 184 |
| IDC12-2084A | 84.00 | 5,550 | 1,551 | 3,166 | 89% | 1.04 | 2 @ 1/2 | 189 |
| IDC12-2096A | 99.00 | 5,292 | 1,325 | 3,188 | 78% | 1.06 | 2 @ 1/2 | 199 |
| IDC12-3096A | 99.00 | 4,781 | 1,846 | 4,443 | 85% | 1.50 | 3 @ 1/2 | 240 |
| IDC12-2108A | 108.00 | 5,079 | 1,230 | 3,228 | 74% | 1.07 | 2 @ 1/2 | 242 |
| IDC12-3108A | 108.00 | 5,166 | 1,728 | 4,536 | 87% | 1.53 | 3 @ 1/2 | 283 |
| IDC12-2120A | 117.00 | 5,079 | 1,149 | 3,268 | 74% | 1.08 | 2 @ 1/2 | 249 |
| IDC12-3120A | 117.00 | 5,166 | 1,645 | 4,678 | 87% | 1.55 | 3 @ 1/2 | 290 |
| IDC12-3132A | 132.00 | 5,292 | 1,484 | 4,760 | 78% | 1.57 | 3 @ 1/2 | 311 |
| IDC12-3144A | 144.00 | 5,292 | 1,366 | 4,782 | 78% | 1.59 | 3 @ 1/2 | 325 |
| IDC12-4144A | 144.00 | 5,166 | 1,728 | 6,048 | 87% | 2.04 | 4 @ 1/2 | 366 |
| IDC12-4156A | 156.00 | 5,166 | 1,633 | 6,190 | 87% | 2.06 | 4 @ 1/2 | 382 |
| IDC12-4168A | 168.00 | 5,550 | 1,551 | 6,332 | 89% | 2.08 | 4 @ 1/2 | 394 |
| IDC12-4180A | 180.00 | 5,292 | 1,452 | 6,354 | 78% | 2.10 | 4 @ 1/2 | 407 |
| IDC12-5180A | 180.00 | 5,166 | 1,728 | 7,560 | 87% | 2.55 | 5 @ 1/2 | 448 |
| IDC12-4192A | 192.00 | 5,292 | 1,366 | 6,376 | 78% | 2.12 | 4 @ 1/2 | 419 |
| IDC12-5192A | 192.00 | 5,292 | 1,635 | 7,631 | 78% | 2.56 | 5 @ 1/2 | 460 |

NOTES:

1. Operation at 50 Hz will generate approximately a 17% reduction in air performance.
 2. Consult factory for vertically mounted units
- Berner does not recommend IDC12-1060A, IDC12-2108A and IDC12-2120A, exist only as an equivalent to competitors' models.
See sheet EP-400 for amp draws/total load requirements.

MODEL NUMBER CONFIGURATION

IDC12-1 036 A A-F-SS

| Series | # of Motors | Opening Width | Heat | Voltage | Intake | Opt. Cabinet Finish |
|--------|---------------|---------------|-----------|---|------------------|---------------------------------------|
| IDC12 | 1, 2, 3, 4, 5 | 036" - 192" | A=Ambient | *A=120/1/60 B=208/1/60 J=240/1/60 V=220/1/50 X=208/3/60 Y=240/3/60 Z=480/3/60 Q=600/3/60 O=380/3/50 | T=Top F=Front | SS=Stainless Steel CC=Custom Color |

*Suitable for 50hz

Berner reserves the right to alter specifications without prior notice.

VELOCITY PROFILE: Model IDC12-1036A

| Distance from Nozzle (ft) | 3 | 6.5 | 10 |
|---------------------------|------|------|------|
| Core Velocity (fpm) | 2633 | 1867 | 1578 |

Sound level measured 10' (3m) from the unit in free field:
1, 2, 3, 4 & 5 motor(s): 63 dBA, 66 dBA, 68 dBA, 69 dBA & 70 dBA
Sound data is not AMCA certified.



INDUSTRIAL DIRECT DRIVE 12

Ambient (Unheated) Air Curtain

Electrical Performance Sheet

| MODEL | 120/1/60 (voltage code A) MOTOR AMP DRAW = 6.5 each | | | 208/1/60 (voltage code B) or 220/1/50 (voltage code V) MOTOR AMP DRAW = 3.5 each | | | 240/1/60 (voltage code J) MOTOR AMP DRAW = 3.5 each | | | 208/3/60 (voltage code X) MOTOR AMP DRAW = 3.5 each | | |
|---|--|------------------|-------------------------------|--|------------------|-------------------------------|--|------------------|-------------------------------|--|------------------|-------------------------------|
| | # CKTS | AMPS PER CIRCUIT | BREAKER RATING PER CIRCUIT | # CKTS | AMPS PER CIRCUIT | BREAKER RATING PER CIRCUIT | # CKTS | AMPS PER CIRCUIT | BREAKER RATING PER CIRCUIT | # CKTS | AMPS PER CIRCUIT | BREAKER RATING PER CIRCUIT |
| IDC12-1036A IDC12-1042A IDC12-1048A IDC12-1060A | 1 | 6.5 | 15 | 1 | 3.5 | 15 | 1 | 3.5 | 15 | 1 | 3.5 | 15 |
| IDC12-2060A IDC12-2072A IDC12-2078A IDC12-2084A IDC12-2096A IDC12-2108A IDC12-2120A | 1 | 13.0 | 15 | 1 | 7.0 | 15 | 1 | 7.0 | 15 | 1 | 7.0 | 15 |
| IDC12-3096A IDC12-3108A IDC12-3120A IDC12-3132A IDC12-3144A | 1 | 19.5 | 25 | 1 | 10.5 | 15 | 1 | 10.5 | 15 | 1 | 10.5 | 15 |
| IDC12-4144A IDC12-4156A IDC12-4168A IDC12-4180A IDC12-4192A | 1 | 26.0 | 30 | 1 | 14.0 | 15 | 1 | 14.0 | 15 | 1 | 14.0 | 15 |
| IDC12-5180A IDC12-5192A | 1 | 32.5 | 35 | 1 | 17.5 | 20 | 1 | 17.5 | 20 | 1 | 17.5 | 20 |

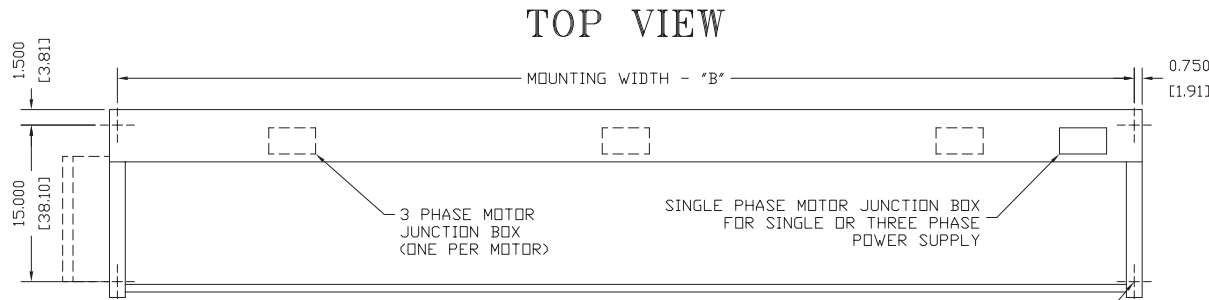


INDUSTRIAL DIRECT DRIVE 12

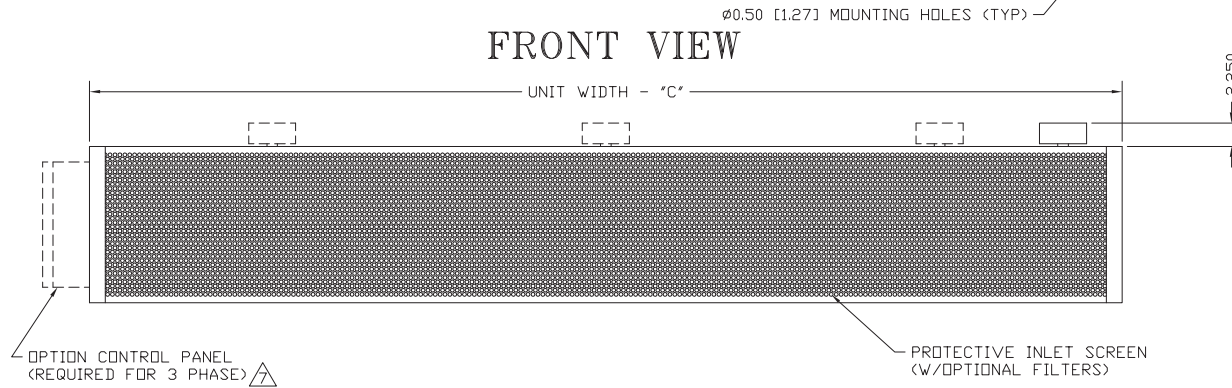
Ambient (Unheated) Air Curtain
Electrical Performance Sheet

| MODEL | 240/3/60 (voltage code Y) MOTOR AMP DRAW = 3.5 each | | | 480/3/60 (voltage code Z) MOTOR AMP DRAW = 1.4 each | | | 600/3/60 (voltage code Q) MOTOR AMP DRAW = 1.0 each | | | 380/3/50 (voltage code O) MOTOR AMP DRAW = 3.5 each | | |
|---|--|------------------|----------------------------|--|------------------|----------------------------|--|------------------|----------------------------|--|------------------|----------------------------|
| | # CKTS | AMPS PER CIRCUIT | BREAKER RATING PER CIRCUIT | # CKTS | AMPS PER CIRCUIT | BREAKER RATING PER CIRCUIT | # CKTS | AMPS PER CIRCUIT | BREAKER RATING PER CIRCUIT | # CKTS | AMPS PER CIRCUIT | BREAKER RATING PER CIRCUIT |
| IDC12-1036A IDC12-1042A IDC12-1048A IDC12-1060A | 1 | 3.5 | 15 | 1 | 1.4 | 15 | 1 | 1.0 | 15 | 1 | 3.5 | 15 |
| IDC12-2060A IDC12-2072A IDC12-2078A IDC12-2084A IDC12-2096A IDC12-2108A IDC12-2120A | 1 | 7.0 | 15 | 1 | 2.8 | 15 | 1 | 2.0 | 15 | 1 | 7.0 | 15 |
| IDC12-3096A IDC12-3108A IDC12-3120A IDC12-3132A IDC12-3144A | 1 | 10.5 | 15 | 1 | 4.2 | 15 | 1 | 3.0 | 15 | 1 | 10.5 | 15 |
| IDC12-4144A IDC12-4156A IDC12-4168A IDC12-4180A IDC12-4192A | 1 | 14.0 | 15 | 1 | 5.6 | 15 | 1 | 4.0 | 15 | 1 | 14.0 | 15 |
| IDC12-5180A IDC12-5192A | 1 | 17.5 | 20 | 1 | 7.0 | 15 | 1 | 5.0 | 15 | 1 | 17.5 | 20 |

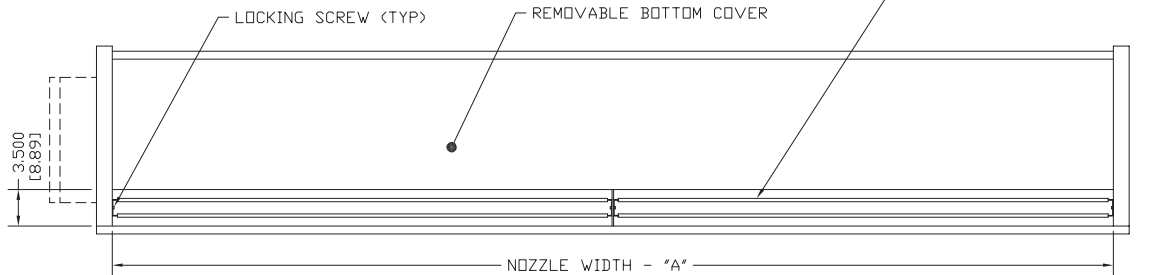
IDC12 AMBIENT SYSTEM



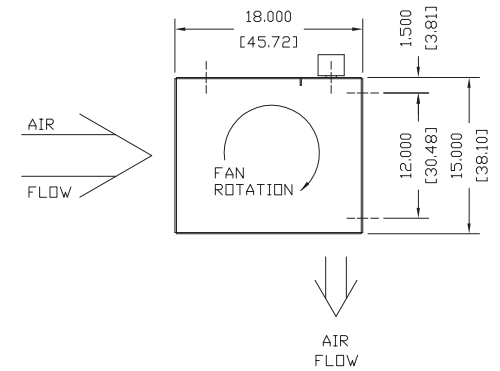
FRONT VIEW



BOTTOM VIEW



END VIEW

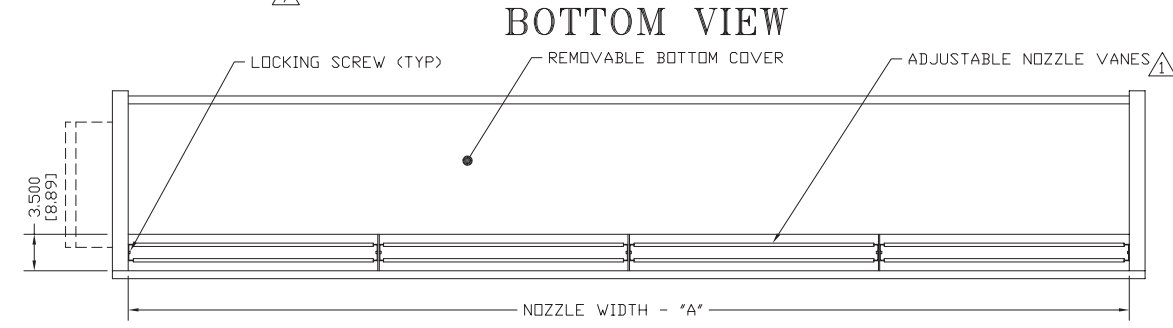
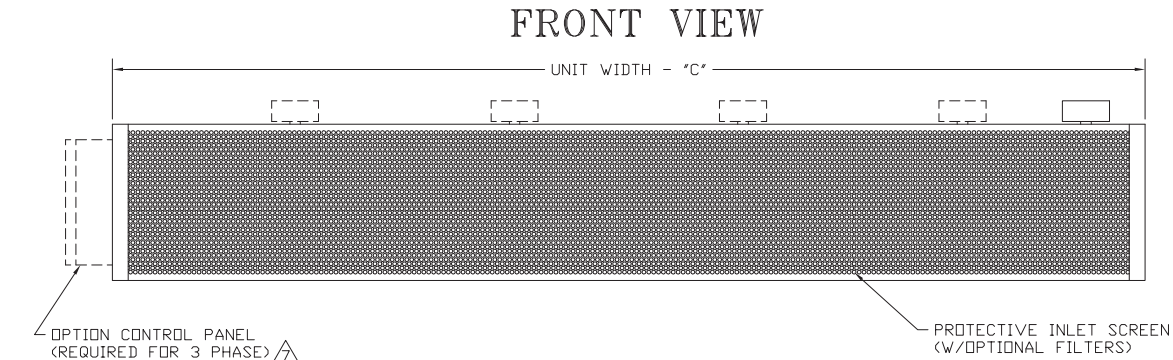
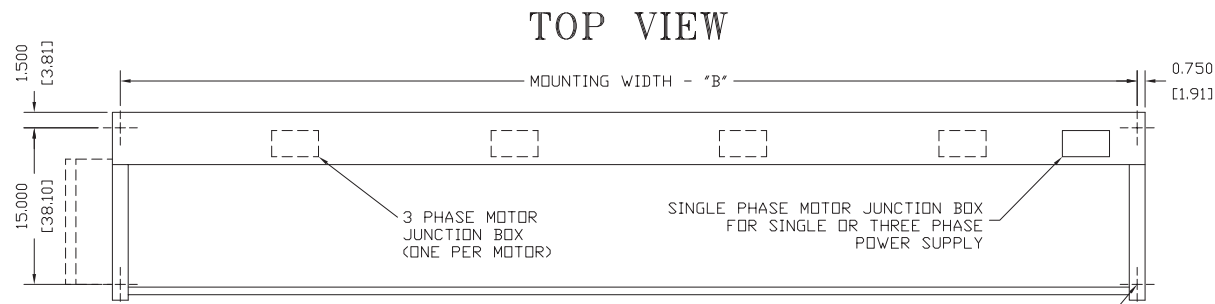


NOTES:

- ⚠️ AIR CURTAIN MUST BE INSTALLED SO AIR STREAM IS NOT OBSTRUCTED WHEN DEFLECTED 20° TO EITHER SIDE OF C.
- ⚠️ ELECTRICAL CONNECTIONS TO BE FLEXIBLE.
- ⚠️ FIELD VERIFY DIMENSIONS.
- ⚠️ ANCHORS TO SUPPORTING STRUCTURE BY OTHERS.
- ⚠️ ADEQUACY OF SUPPORTING STRUCTURE IS TO BE VERIFIED BY A PROFESSIONAL STRUCTURAL ENGINEER.
- ⚠️ LETTER "A" IN MODEL NUMBER DESIGNATES, AMBIENT UNIT.
- ⚠️ STANDARD CONTROL PANEL LEFT HAND MOUNT, OPTIONAL RIGHT HAND MOUNT, OR REMOTE. PLEASE SPECIFY.
- ⚠️ DIMENSIONS IN INCHES [CENTIMETERS].

| MODEL ⚠️ | NOZZLE WIDTH "A" | MOUNTING WIDTH "B" | UNIT WIDTH "C" |
|-------------------|------------------|--------------------|-----------------|
| IDC12-1036A | 36.00 [91.44] | 37.50 [95.25] | 39.00 [99.06] |
| IDC12-1042A | 42.00 [106.68] | 43.50 [110.49] | 45.00 [114.30] |
| IDC12-1048A | 48.00 [121.92] | 49.50 [125.73] | 51.00 [129.54] |
| IDC12-1060A/2060A | 66.00 [167.64] | 67.50 [171.45] | 69.00 [175.26] |
| IDC12-2072A | 72.00 [182.88] | 73.50 [186.69] | 75.00 [190.50] |
| IDC12-2078A | 78.00 [192.12] | 79.50 [201.93] | 81.00 [205.74] |
| IDC12-2084A | 84.00 [213.36] | 85.50 [217.17] | 87.00 [220.98] |
| IDC12-2096A/3096A | 99.00 [251.46] | 100.50 [255.27] | 102.00 [259.08] |
| IDC12-2108A/3108A | 108.00 [274.32] | 109.50 [278.13] | 111.00 [281.94] |
| IDC12-2120A/3120A | 117.00 [297.18] | 118.50 [300.99] | 120.00 [304.80] |
| IDC12-3132A | 132.00 [335.28] | 133.50 [339.09] | 135.00 [342.90] |
| IDC12-3144A/4144A | 144.00 [365.76] | 145.50 [369.57] | 147.00 [373.38] |

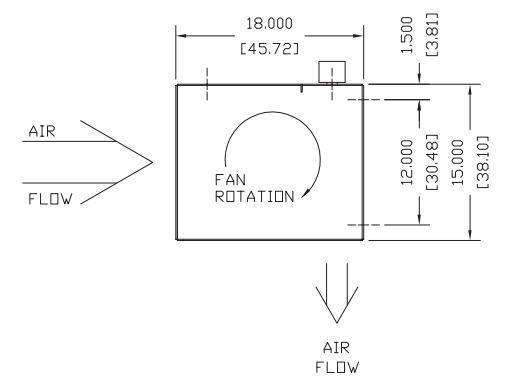
| | | |
|-----------|------------|---|
| PROJECT | | |
| LOCATION | | |
| ARCHITECT | | |
| ENGINEER | | |
| DWG. NO. | IDC12-AMB1 | TITLE: BERNER |
| DATE | 28MAY14 | MODEL IDC12 AIR CURTAIN |
| BY | S. Beil | AMBIENT SYSTEM |
| REPLACES | - | BERNER INTERNATIONAL CORP. NEW CASTLE, PA. |
| BY | - | |



| MODEL | NOZZLE WIDTH "A" | MOUNTING WIDTH "B" | UNIT WIDTH "C" |
|-------------------|------------------|--------------------|-----------------|
| IDC12-4156A | 156.00 [396.24] | 157.50 [400.05] | 159.00 [403.86] |
| IDC12-4168A | 168.00 [426.72] | 169.50 [430.53] | 171.00 [434.34] |
| IDC12-4180A/5180A | 180.00 [457.20] | 181.50 [461.01] | 183.00 [464.82] |
| IDC12-4192A/5192A | 192.00 [487.68] | 193.50 [491.49] | 195.00 [495.30] |

IDC12 AMBIENT SYSTEM

END VIEW



NOTES:

- AIR CURTAIN MUST BE INSTALLED SO AIR STREAM IS NOT OBSTRUCTED WHEN DEFLECTED 20° TO EITHER SIDE OF C.
- ELECTRICAL CONNECTIONS TO BE FLEXIBLE.
- FIELD VERIFY DIMENSIONS.
- ANCHORS TO SUPPORTING STRUCTURE BY OTHERS.
- ADEQUACY OF SUPPORTING STRUCTURE IS TO BE VERIFIED BY A PROFESSIONAL STRUCTURAL ENGINEER.
- LETTER "A" IN MODEL NUMBER DESIGNATES, AMBIENT UNIT.
- STANDARD CONTROL PANEL LEFT HAND MOUNT, OPTIONAL RIGHT HAND MOUNT, OR REMOTE. PLEASE SPECIFY.
- DIMENSIONS IN INCHES [CENTIMETERS].

| | | |
|-----------|------------|---|
| PROJECT | | |
| LOCATION | | |
| ARCHITECT | | |
| ENGINEER | | |
| DWG. NO. | IDC12-AMB2 | TITLE: BERNER |
| DATE | 28MAY14 | MODEL IDC12 AIR CURTAIN |
| BY | S. Beil | AMBIENT SYSTEM |
| REPLACES | - | BERNER INTERNATIONAL CORP. NEW CASTLE, PA. |
| BY | - | |