



INDUSTRIAL DIRECT DRIVE 12

Electric Heated Air Curtain

Data Sheet

For Door Heights To 12' (environmental separation)

STANDARD CONSTRUCTION

- ½ hp single speed motor(s) - direct drive (Optional: three-speed)
- Factory mounted control panel
- Gray powder coated exterior with mill aluminum screen and access panels (Optional: Custom Color or Stainless)
- Wall & Top Mounting
- Front air intake (Optional: top)

- High efficiency Pro-V Nozzle
- Patented venturi open helical element with point suspension
 - Thermal overload protection
 - Aluminized steel frame
- Alternate kW: see sheet EP-402

2 Year
Limited
Warranty



| MODEL | Nozzle Width (in) | Max Vel. at Nozzle (fpm) | Avg. Outlet Vel. (fpm) | Air Volume (cfm) | Outlet Vel. Uniformity | Power Rating (kW) | Motor(s) @ hp | Max Electric Capacity (kW) | Heater Output (MBH) | Air Temp. Rise (°F) | Net Wt. (lbs) |
|-------------|-------------------|--------------------------|------------------------|------------------|------------------------|-------------------|---------------|----------------------------|---------------------|---------------------|---------------|
| IDC12-1036E | 36.00 | 5,166 | 1,728 | 1,512 | 87% | 0.51 | 1 @ 1/2 | 14.0 | 47.8 | 29° | 106 |
| IDC12-1042E | 42.00 | 5,550 | 1,551 | 1,583 | 89% | 0.52 | 1 @ 1/2 | 14.0 | 47.8 | 28° | 112 |
| IDC12-1048E | 48.00 | 5,292 | 1,366 | 1,594 | 78% | 0.53 | 1 @ 1/2 | 14.0 | 47.8 | 28° | 117 |
| IDC12-1060E | 66.00 | 5,079 | 1,019 | 1,634 | 74% | 0.54 | 1 @ 1/2 | 14.0 | 47.8 | 27° | 128 |
| IDC12-2060E | 66.00 | 4,781 | 1,827 | 2,931 | 85% | 0.99 | 2 @ 1/2 | 28.0 | 95.6 | 30° | 181 |
| IDC12-2072E | 72.00 | 5,166 | 1,728 | 3,024 | 87% | 1.02 | 2 @ 1/2 | 28.0 | 95.6 | 29° | 190 |
| IDC12-2078E | 78.00 | 5,166 | 1,633 | 3,095 | 87% | 1.03 | 2 @ 1/2 | 28.0 | 95.6 | 28° | 196 |
| IDC12-2084E | 84.00 | 5,550 | 1,551 | 3,166 | 89% | 1.04 | 2 @ 1/2 | 28.0 | 95.6 | 28° | 201 |
| IDC12-2096E | 99.00 | 5,292 | 1,325 | 3,188 | 78% | 1.06 | 2 @ 1/2 | 28.0 | 95.6 | 28° | 211 |
| IDC12-3096E | 99.00 | 4,781 | 1,846 | 4,443 | 85% | 1.50 | 3 @ 1/2 | 42.0 | 143.3 | 30° | 258 |
| IDC12-2108E | 108.00 | 5,079 | 1,230 | 3,228 | 74% | 1.07 | 2 @ 1/2 | 28.0 | 95.6 | 27° | 254 |
| IDC12-3108E | 108.00 | 5,166 | 1,728 | 4,536 | 87% | 1.53 | 3 @ 1/2 | 42.0 | 143.3 | 29° | 301 |
| IDC12-2120E | 117.00 | 5,079 | 1,149 | 3,268 | 74% | 1.08 | 2 @ 1/2 | 28.0 | 95.6 | 27° | 261 |
| IDC12-3120E | 117.00 | 5,166 | 1,645 | 4,678 | 87% | 1.55 | 3 @ 1/2 | 42.0 | 143.3 | 28° | 308 |
| IDC12-3132E | 132.00 | 5,292 | 1,484 | 4,760 | 78% | 1.57 | 3 @ 1/2 | 42.0 | 143.3 | 28° | 329 |
| IDC12-3144E | 144.00 | 5,292 | 1,366 | 4,782 | 78% | 1.59 | 3 @ 1/2 | 42.0 | 143.3 | 28° | 343 |
| IDC12-4144E | 144.00 | 5,166 | 1,728 | 6,048 | 87% | 2.04 | 4 @ 1/2 | 56.0 | 191.1 | 29° | 390 |
| IDC12-4156E | 156.00 | 5,166 | 1,633 | 6,190 | 87% | 2.06 | 4 @ 1/2 | 56.0 | 191.1 | 28° | 406 |
| IDC12-4168E | 168.00 | 5,550 | 1,551 | 6,332 | 89% | 2.08 | 4 @ 1/2 | 56.0 | 191.1 | 28° | 418 |
| IDC12-4180E | 180.00 | 5,292 | 1,452 | 6,354 | 78% | 2.10 | 4 @ 1/2 | 56.0 | 191.1 | 28° | 431 |
| IDC12-5180E | 180.00 | 5,166 | 1,728 | 7,560 | 87% | 2.55 | 5 @ 1/2 | 70.0 | 238.9 | 29° | 478 |
| IDC12-4192E | 192.00 | 5,292 | 1,366 | 6,376 | 78% | 2.12 | 4 @ 1/2 | 56.0 | 191.1 | 28° | 443 |
| IDC12-5192E | 192.00 | 5,292 | 1,635 | 7,631 | 78% | 2.56 | 5 @ 1/2 | 70.0 | 238.9 | 29° | 490 |

NOTES:

1. Operation at 50 Hz will generate approximately a 17% reduction in performance.
 2. Performance data based on AMCA licensed data from unheated units.
 3. Maximum leaving air temperature shall not exceed 120°F.
 4. Consult factory for available models with 208/240/1 power supplies and vertically mounted units.
- Berner does not recommend IDC12-1060E, IDC12-2096E and IDC12-2120E, exist only as an equivalent to competitors' models.
See sheet EP-402 for amp draws/total load requirements and alternate kW.

MODEL NUMBER CONFIGURATION

IDC12-1 036 E X-F-SS

| Series | # of Motors | Opening Width | Heat | Voltage | Intake | Opt. Cabinet Finish |
|--------|---------------|---------------|-------------------|--|------------------|---------------------------------------|
| IDC12 | 1, 2, 3, 4, 5 | 036" - 192" | E=Electric Heated | X=208/3/60 Y=240/3/60 Z=480/3/60 Q=600/3/60 O=380/3/50 | T=Top F=Front | SS=Stainless Steel CC=Custom Color |

Sound level measured 10' (3m) from the unit in free field:
1, 2, 3, 4 & 5 motor(s): 63, dBA, 66 dBA, 68 dBA, 69 dBA & 70 dBA

Berner reserves the right to alter specifications without prior notice.

www.berner.com **Berner International Corporation** 800.245.4455
111 Progress Ave. / New Castle / PA / 16101 / USA

DS-402
January, 2015



INDUSTRIAL DIRECT DRIVE 12

Electric Heated Air Curtain Electrical Performance Sheet

| MODEL | KW option | Temp Rise °F | 208/3/60 (voltage code X) MOTOR AMP DRAW = 3.5 each | | | 240/3/60 (voltage code Y) MOTOR AMP DRAW = 3.5 each | | | 480/3/60 (voltage code Z) MOTOR AMP DRAW = 1.4 each | | |
|---|-----------|--------------|--|------------------------------------|----------------------------|--|------------------------------------|----------------------------|--|------------------------------------|----------------------------|
| | | | # CKTS | AMPS PER CIRCUIT (including motor) | BREAKER RATING PER CIRCUIT | # CKTS | AMPS PER CIRCUIT (including motor) | BREAKER RATING PER CIRCUIT | # CKTS | AMPS PER CIRCUIT (including motor) | BREAKER RATING PER CIRCUIT |
| IDC12-1036E IDC12-1042E IDC12-1048E IDC12-1060E | 14 | 28 | 1 | 42.4 | 60 | 1 | 37.2 | 50 | 1 | 16.8 | 25 |
| | 10 | 20 | 1 | 31.3 | 40 | 1 | 27.6 | 35 | 1 | 13.4 | 20 |
| | 8 | 16 | 1 | 25.7 | 35 | 1 | 22.7 | 30 | 1 | 11.0 | 15 |
| | 6 | 12 | 1 | 20.2 | 30 | 1 | 17.9 | 25 | 1 | 8.6 | 15 |
| IDC12-2060E IDC12-2072E IDC12-2078E IDC12-2084E IDC12-2096E IDC12-2108E IDC12-2120E | 28 | 28 | 2 | 45.9/38.9 | 60/50 | 2 | 40.7/33.7 | 60/45 | 1 | 36.5 | 50 |
| | 20 | 20 | 2 | 34.8/27.8 | 45/35 | 2 | 31.1/24.1 | 40/35 | 1 | 26.9 | 35 |
| | 16 | 16 | 2 | 29.2/22.2 | 40/30 | 1 | 45.5 | 60 | 1 | 22.0 | 30 |
| | 12 | 12 | 1 | 40.3 | 50 | 1 | 35.9 | 50 | 1 | 17.2 | 25 |
| IDC12-3096E IDC12-3108E IDC12-3120E IDC12-3132E IDC12-3144E | 42 | 28 | 3 | 45.9/42.4/38.9 | 60/60/50 | 3 | 44.2/33.7/33.7 | 60/45/45 | 2 | 21.0/33.7 | 30/45 |
| | 30 | 20 | 3 | 38.3/27.8/27.8 | 50/35/35 | 2 | 34.6/48.1 | 45/60 | 1 | 40.3 | 50 |
| | 24 | 16 | 2 | 32.7/44.4 | 40/60 | 2 | 29.7/38.5 | 40/50 | 1 | 33.1 | 45 |
| | 18 | 12 | 2 | 27.2/33.3 | 35/45 | 2 | 24.9/28.9 | 30/40 | 1 | 25.9 | 35 |
| IDC12-4144E IDC12-4156E IDC12-4168E IDC12-4180E IDC12-4192E | 56 | 28 | 4 | 45.9/45.9/38.9/38.9 | 60/60/50/50 | 4 | 40.7/40.7/33.7/33.7 | 60/60/45/45 | 2 | 39.3/33.7 | 50/45 |
| | 40 | 20 | 4 | 34.8/34.8/27.8/27.8 | 45/45/35/35 | 3 | 31.1/31.1/48.1 | 40/40/60 | 2 | 29.7/24.1 | 40/35 |
| | 32 | 16 | 3 | 29.2/29.2/44.4 | 40/40/60 | 2 | 45.5/45.5 | 60/60 | 1 | 44.1 | 60 |
| | 24 | 12 | 2 | 47.3/33.3 | 60/45 | 2 | 42.9/28.9 | 60/40 | 1 | 34.5 | 45 |
| IDC12-5180E IDC12-5192E | 70 | 28 | 5 | 45.9/45.9/42.4/38.9/38.9 | 60/60/60/50/50 | 5 | 44.2/40.7/33.7/33.7/33.7 | 60/50/45/45/45 | 3 | 23.8/33.7/33.7 | 30/45/45 |
| | 50 | 20 | 5 | 38.3/34.8/27.8/27.8/27.8 | 50/45/30/30/30 | 3 | 41.6/48.1/48.1 | 60/60/60 | 2 | 31.1/36.1 | 40/50 |
| | 40 | 16 | 3 | 39.7/44.4/44.4 | 40/60/60 | 3 | 36.7/38.5/38.5 | 45/50/50 | 2 | 26.2/28.9 | 35/40 |
| | 30 | 12 | 3 | 34.2/33.3/33.3 | 40/45/45 | 2 | 46.4/43.3 | 60/60 | 1 | 43.1 | 60 |



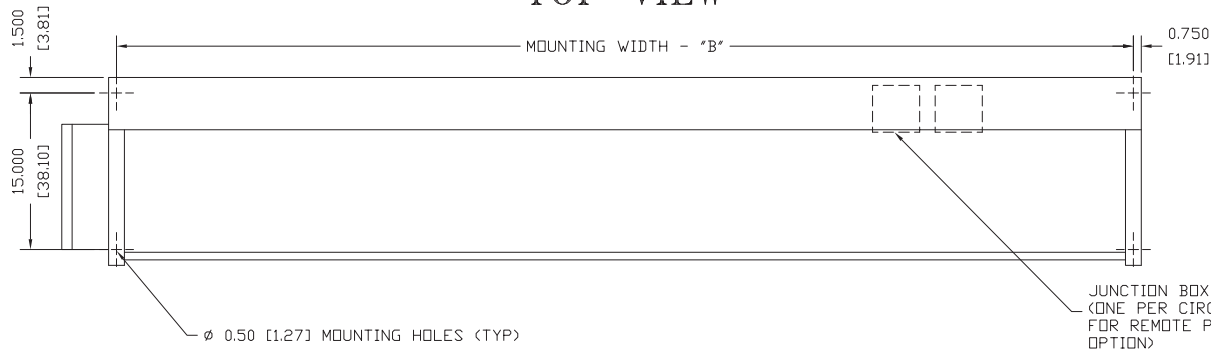
INDUSTRIAL DIRECT DRIVE 12

Electric Heated Air Curtain

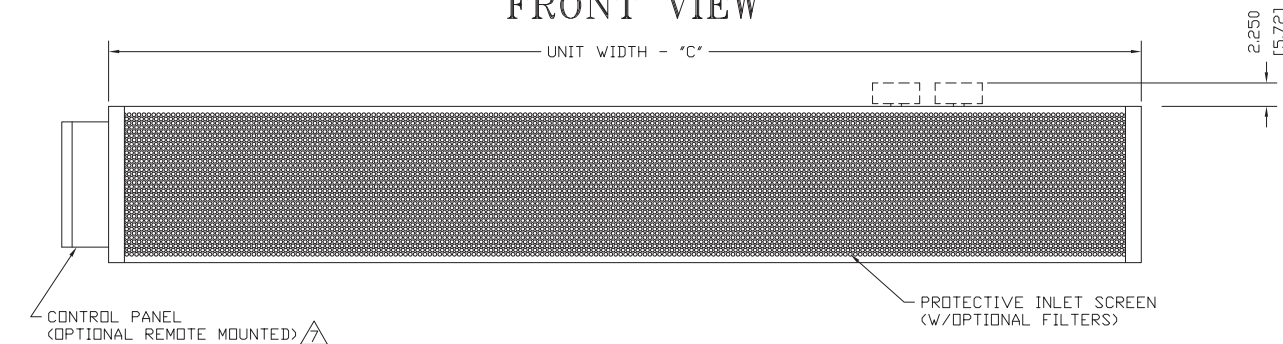
Electrical Performance Sheet

| MODEL | kW option | Temp Rise °F | 600/3/60 (voltage code Q) MOTOR AMP DRAW = 1.0 each | | | 380/3/50 (voltage code O) MOTOR AMP DRAW = 3.5 each | | |
|---|-----------|--------------|--|------------------------------------|----------------------------|--|------------------------------------|----------------------------|
| | | | # CKTS | AMPS PER CIRCUIT (including motor) | BREAKER RATING PER CIRCUIT | # CKTS | AMPS PER CIRCUIT (including motor) | BREAKER RATING PER CIRCUIT |
| IDC12-1036E IDC12-1042E IDC12-1048E IDC12-1060E | 14 | 28 | 1 | 15.1 | 20 | 1 | 24.8 | 35 |
| | 10 | 20 | 1 | 11.0 | 15 | 1 | 18.7 | 25 |
| | 8 | 16 | 1 | 9.0 | 15 | 1 | 15.7 | 20 |
| | 6 | 12 | 1 | 7.0 | 15 | 1 | 12.6 | 20 |
| IDC12-2060E IDC12-2072E IDC12-2078E IDC12-2084E IDC12-2096E IDC12-2108E IDC12-2120E | 28 | 28 | 1 | 30.1 | 40 | 2 | 28.3/21.3 | 35/30 |
| | 20 | 20 | 1 | 22.1 | 30 | 1 | 37.4 | 50 |
| | 16 | 16 | 1 | 18.1 | 25 | 1 | 31.3 | 40 |
| | 12 | 12 | 1 | 14.0 | 20 | 1 | 25.2 | 35 |
| IDC12-3096E IDC12-3108E IDC12-3120E IDC12-3132E IDC12-3144E | 42 | 28 | 1 | 45.2 | 60 | 2 | 31.8/42.5 | 40/60 |
| | 30 | 20 | 1 | 33.1 | 45 | 2 | 25.7/30.4 | 35/40 |
| | 24 | 16 | 1 | 27.1 | 35 | 1 | 47.0 | 60 |
| | 18 | 12 | 1 | 21.1 | 30 | 1 | 37.8 | 50 |
| IDC12-4144E IDC12-4156E IDC12-4168E IDC12-4180E IDC12-4192E | 56 | 28 | 2 | 32.1/28.1 | 40/40 | 3 | 35.3/42.5/21.3 | 45/60/30 |
| | 40 | 20 | 1 | 44.2 | 60 | 2 | 44.4/30.4 | 60/40 |
| | 32 | 16 | 1 | 36.1 | 45 | 2 | 38.3/24.3 | 50/35 |
| | 24 | 12 | 1 | 28.1 | 35 | 2 | 41.3/9.1 | 50/15 |
| IDC12-5180E IDC12-5192E | 70 | 28 | 2 | 33.1/42.2 | 45/60 | 3 | 38.8/42.5/42.5 | 45/60/60 |
| | 50 | 20 | 2 | 25.1/30.1 | 35/40 | 3 | 32.7/30.4/30.4 | 40/40/40 |
| | 40 | 16 | 1 | 45.2 | 60 | 3 | 41.8/36.5 | 50/50 |
| | 30 | 12 | 1 | 35.1 | 45 | 2 | 44.8/18.2 | 60/25 |

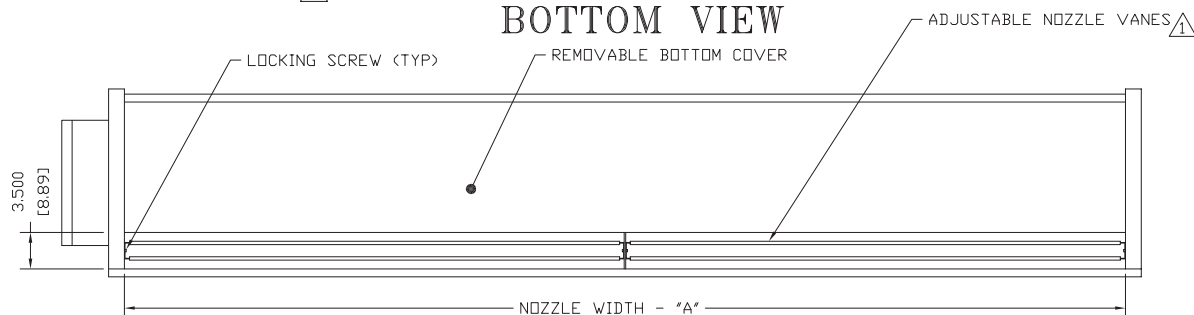
TOP VIEW



FRONT VIEW

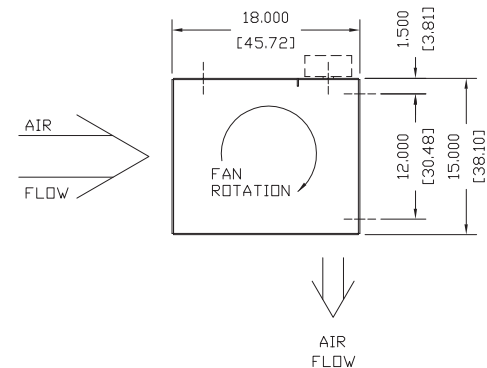


BOTTOM VIEW



IDC12 ELECTRIC HEATED

END VIEW



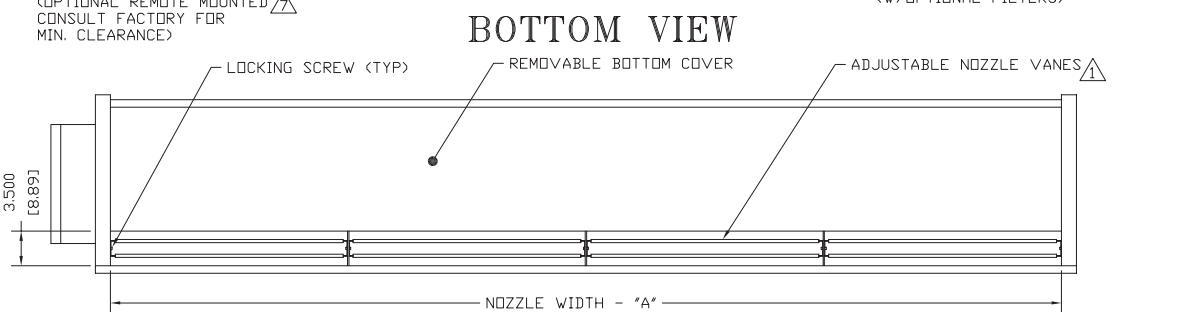
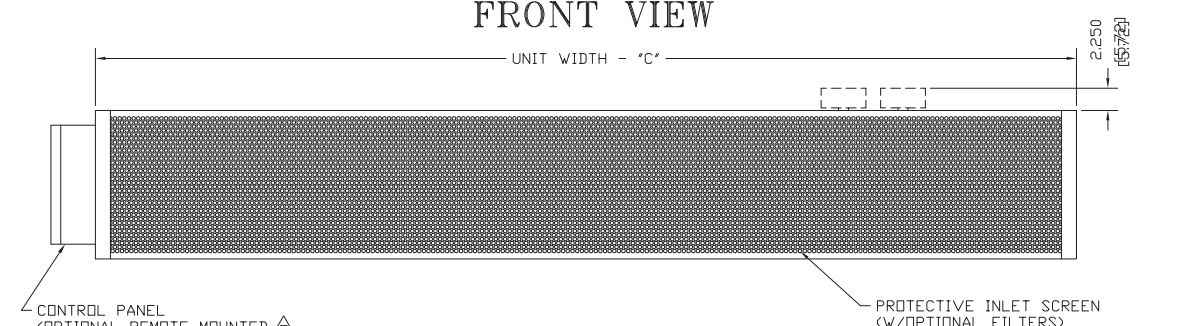
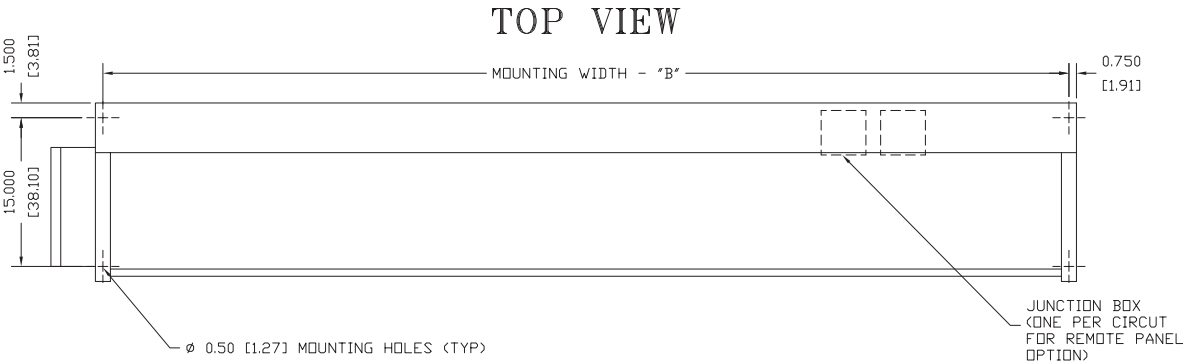
NOTES:

- ⚠ AIR CURTAIN MUST BE INSTALLED SO AIR STREAM IS NOT OBSTRUCTED WHEN DEFLECTED 20° TO EITHER SIDE OF C.
- ⚠ ELECTRICAL CONNECTIONS TO BE FLEXIBLE.
- ⚠ FIELD VERIFY DIMENSIONS.
- ⚠ ANCHORS TO SUPPORTING STRUCTURE BY OTHERS.
- ⚠ ADEQUACY OF SUPPORTING STRUCTURE IS TO BE VERIFIED BY A PROFESSIONAL STRUCTURAL ENGINEER.
- ⚠ LETTER "E" IN MODEL NUMBER DESIGNATES, ELECTRIC HEATED UNIT.
- ⚠ STANDARD CONTROL PANEL LEFT HAND MOUNT, OPTIONAL RIGHT HAND MOUNT, OR REMOTE. PLEASE SPECIFY.
- ⚠ DIMENSIONS IN INCHES [CENTIMETERS].

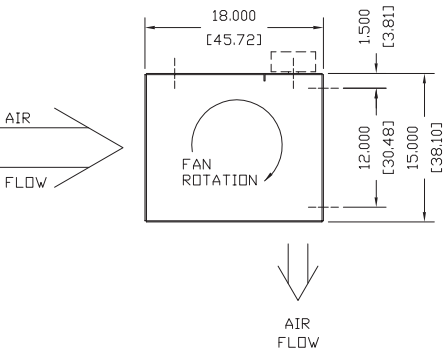
| MODEL ⚠ | NOZZLE WIDTH "A" | MOUNTING WIDTH "B" | UNIT WIDTH "C" |
|-------------------|------------------|--------------------|-----------------|
| IDC12-1036E | 36.00 [91.44] | 37.50 [95.25] | 39.00 [99.06] |
| IDC12-1042E | 42.00 [106.68] | 43.50 [110.49] | 45.00 [114.30] |
| IDC12-1048E | 48.00 [121.92] | 49.50 [125.73] | 51.00 [129.54] |
| IDC12-1060E/2060E | 66.00 [167.64] | 67.50 [171.45] | 69.00 [175.26] |
| IDC12-2072E | 72.00 [182.88] | 73.50 [186.69] | 75.00 [190.50] |
| IDC12-2078E | 78.00 [192.12] | 79.50 [201.93] | 81.00 [205.74] |
| IDC12-2084E | 84.00 [213.36] | 85.50 [217.17] | 87.00 [220.98] |
| IDC12-2096E/3096E | 99.00 [251.46] | 100.50 [255.27] | 102.00 [259.08] |
| IDC12-2108E/3108E | 108.00 [274.32] | 109.50 [278.13] | 111.00 [281.94] |
| IDC12-2120E/3120E | 117.00 [297.18] | 118.50 [300.99] | 120.00 [304.80] |
| IDC12-3132E | 132.00 [335.28] | 133.50 [339.09] | 135.00 [342.90] |
| IDC12-3144E/4144E | 144.00 [365.76] | 145.50 [369.57] | 147.00 [373.38] |

| | | |
|-----------|------------|---|
| PROJECT | | |
| LOCATION | | |
| ARCHITECT | | |
| ENGINEER | | |
| DWG. NO. | IDC12-ELE1 | TITLE: BERNER |
| DATE | 28MAY14 | MODEL IDC12 AIR CURTAIN ELECTRIC HEATED SYSTEM |
| BY | S. Beil | |
| REPLACES | - | |
| BY | - | BERNER INTERNATIONAL CORP. NEW CASTLE, PA. |

IDC 12 ELECTRIC HEATED



END VIEW



| MODEL | NOZZLE WIDTH "A" | MOUNTING WIDTH "B" | UNIT WIDTH "C" |
|-------------------|------------------|--------------------|-----------------|
| IDC12-4156E | 156.00 [396.24] | 157.50 [400.05] | 159.00 [403.86] |
| IDC12-4168E | 168.00 [426.72] | 169.50 [430.53] | 171.00 [434.34] |
| IDC12-4180E/5180E | 180.00 [457.20] | 181.50 [461.01] | 183.00 [464.82] |
| IDC12-4192E/5192E | 192.00 [487.68] | 193.50 [491.49] | 195.00 [495.30] |

NOTES:

- 1 AIR CURTAIN MUST BE INSTALLED SO AIR STREAM IS NOT OBSTRUCTED WHEN DEFLECTED 20° TO EITHER SIDE OF C.
- 2 ELECTRICAL CONNECTIONS TO BE FLEXIBLE.
- 3 FIELD VERIFY DIMENSIONS.
- 4 ANCHORS TO SUPPORTING STRUCTURE BY OTHERS.
- 5 ADEQUACY OF SUPPORTING STRUCTURE IS TO BE VERIFIED BY A PROFESSIONAL STRUCTURAL ENGINEER.
- 6 LETTER 'E' IN MODEL NUMBER DESIGNATES, ELECTRIC HEATED UNIT.
- 7 STANDARD CONTROL PANEL LEFT HAND MOUNT, OPTIONAL RIGHT HAND MOUNT, OR REMOTE. PLEASE SPECIFY.
- 8 DIMENSIONS IN INCHES (CENTIMETERS).

| | | |
|-----------|------------|---|
| PROJECT | | |
| LOCATION | | |
| ARCHITECT | | |
| ENGINEER | | |
| DWG. NO. | IDC12-ELE2 | TITLE: BERNER |
| DATE | 28MAY14 | MODEL IDC12 AIR CURTAIN |
| BY | S. Beil | ELECTRIC HEATED SYSTEM |
| REPLACES | - | |
| BY | - | BERNER INTERNATIONAL CORP. NEW CASTLE, PA. |