

STANDARD FEATURES

- ◆ 7½" high
- ◆ 1/5 hp direct driven motor(s)
- ◆ Factory installed "intelliswitch" digital programmable controller - *see features below*
- ◆ Aluminum cross-flow blower wheels
- ◆ Aluminum air directional vanes
- ◆ Clear anodized aluminum exterior cabinet
- ◆ Wall mounting plate and ¼" threaded inserts for top mounting
- ◆ UL Listed (United States, Canada)
- ◆ Two year parts warranty
- ◆ Freight included continental United States
- ◆ Crafted with Pride in the USA

HEATER FEATURES

- ◆ Helical coil with point suspension of elements for longer life
- ◆ Available single or three phase (not all models)
- ◆ Easily replaceable heating elements
- ◆ Galvanized steel frame
- ◆ Thermal protection against overheating

OPTIONAL FEATURES

- ◆ Bronze anodized aluminum finish
- ◆ Stainless steel finish
- ◆ Reduced kW available (consult factory)

MODEL	Nozzle Width (in)	Max. Velocity (fpm)	Avg. Outlet Velocity (fpm)	Air Volume (scfm)	Motor(s) @ hp	Power Rating (kW)	Outlet Velocity Uniformity (%)	Electric Capacity (kW)	Temp Rise °F	Net Wgt (lbs)	Ship Wgt (lbs)
ZPR1030E	28.00	3000	1777	691	1 @ 1/5	.18	89	5.4 or 7.2	24	40.5	47
ZPR1036E	35.25	3000	2118	1036	1 @ 1/5	.32	94	10	30	45.5	52
ZPR1042E	41.25	3000	2115	1212	1 @ 1/5	.32	94	10	26	50	57
ZPR1048E	47.25	3000	2104	1381	1 @ 1/5	.32	94	14.4	33	56	63.5
ZPR1060E	59.00	3000	2052	1682	1 @ 1/5	.32	94	14.4	28	68.5	76.5
ZPR1072E	72.50	3000	2118	2072	1 @ 1/5	.32	94	20	30	76.5	85
ZPR2084E	84.25	3000	2115	2424	2 @ 1/5	.64	94	20	26	100	109
ZPR2096E	96.25	3000	2104	2762	2 @ 1/5	.64	94	28.8	33	111.5	121
ZPR2120E	119.75	3000	2046	3364	2 @ 1/5	.64	94	28.8	28	137	163

Performance data based on high speed.

MOTOR VOLTAGES/AMP DRAWS					
Volts	120	208	240	120*	240*
Phase	1	1	1	1	1
Hertz	60	60	60	50	50
Amps per Motor	3.4	1.7	1.7	2.8	1.4

* Operation at 50 Hz will generate approximately a 17% reduction in performance.

HEATER kW/AMP DRAWS					
HEATER kW	208/1/60	240/1/60	208/3/60	240/3/60	480/3/60**
5.4	26.0	22.5	-	-	-
7.2	34.6	30.0			
10.0	48.1	41.7	27.8	24.1	12.0
14.4	69.2*	60.0*	40.0	34.6	17.3
20.0	-	-	55.5*	48.1	24.1
28.8	-	-	79.9*	69.3*	34.6

* Two circuits required.

** A separate 120/208 or 240 power supply required for motors.



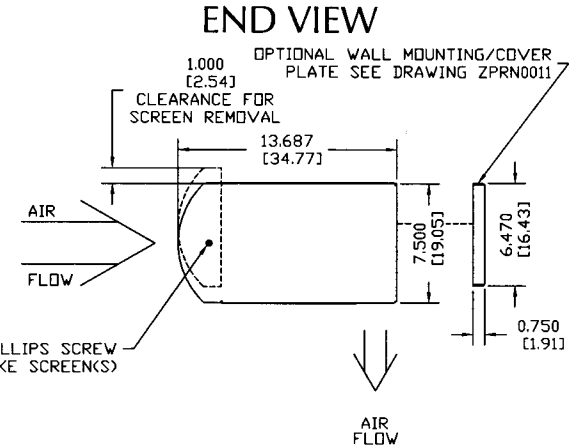
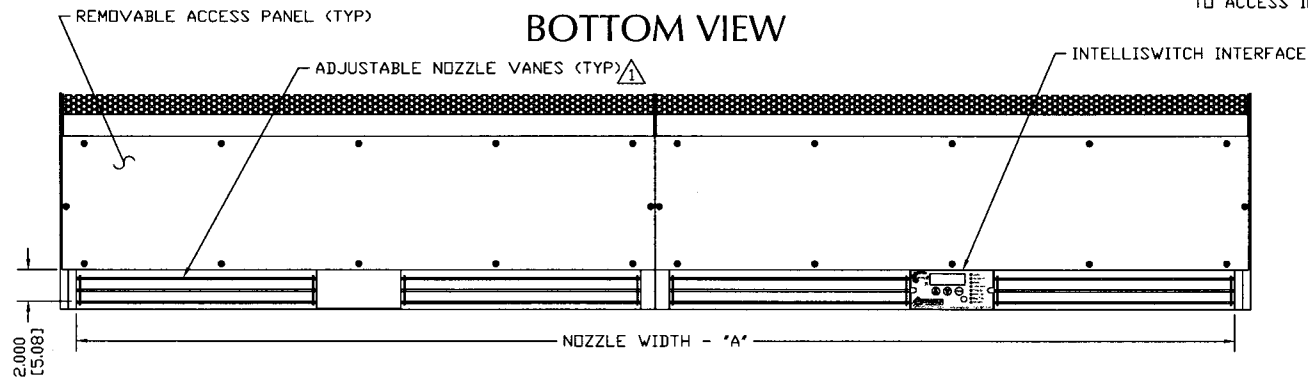
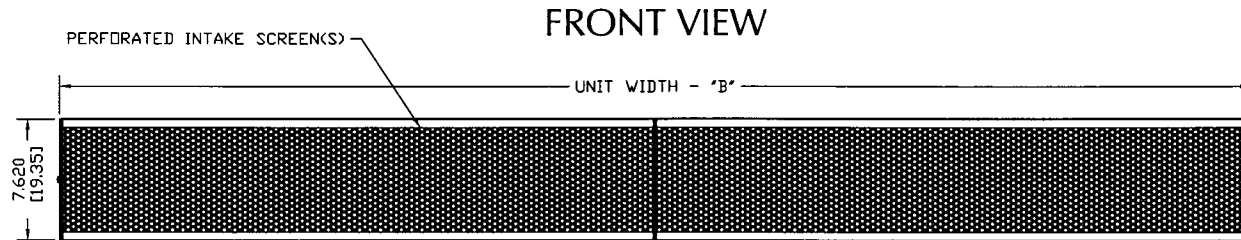
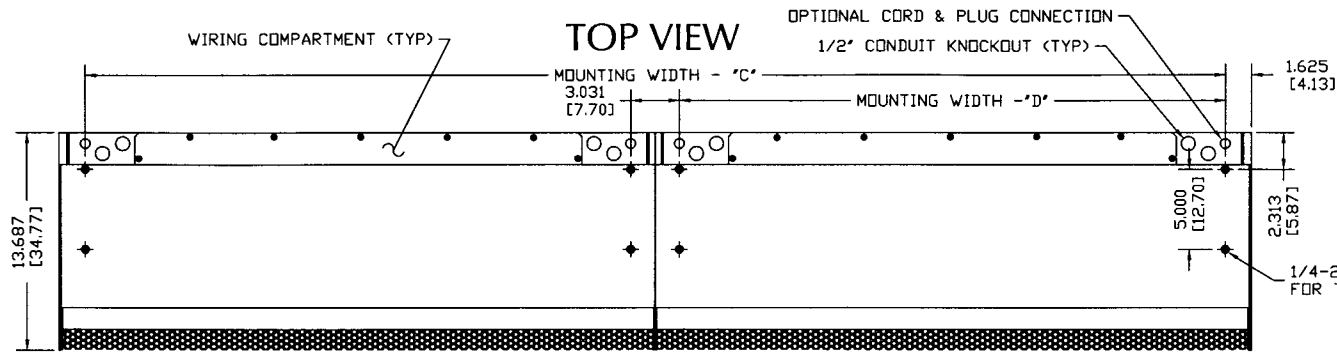
Intelliswitch Features

- ◆ Time Delay
- ◆ 10 Speed Fan Slection
- ◆ On/Off/Auto Operation
- ◆ Start/Stop Times
- ◆ Thermostat
- ◆ Low Voltage Control Circuit
- ◆ Time Clock
- ◆ LED Display
- ◆ Lockable Display

Sound level measured 10' (3m) from the unit in free field:
1 Motor: **54 dBA**
2 Motors: **57 dBA**

Berner reserves the right to alter specifications without prior notice.

ZEPHYR ELECTRIC HEATED



NOTES:

- ¹ AIR CURTAIN MUST BE INSTALLED SO AIR STREAM IS NOT OBSTRUCTED WHEN DEFLECTED 20° TO EITHER SIDE OF \bar{C} .
- ² ELECTRICAL CONNECTIONS TO BE FLEXIBLE.
- ³ FIELD VERIFY DIMENSIONS.
- ⁴ ANCHORS TO SUPPORTING STRUCTURE BY OTHERS.
- ⁵ ADEQUACY OF SUPPORTING STRUCTURE IS TO BE VERIFIED BY A PROFESSIONAL STRUCTURAL ENGINEER.
- ⁶ LETTER 'E' IN MODEL NUMBER DESIGNATES ELECTRIC HEATED UNIT.
- ⁷ DIMENSIONS IN INCHES [CENTIMETERS].

MODEL ⁶	NOZZLE WIDTH "A"	UNIT WIDTH "B"	MOUNTING WIDTH "C"	MOUNTING WIDTH "D"
ZPR1030E	28.00 [71.12]	30.00 [76.20]	26.75 [67.95]	-
ZPR1036E	35.25 [89.54]	37.25 [94.62]	34.00 [86.36]	-
ZPR1042E	41.25 [104.78]	43.25 [109.86]	40.00 [101.60]	-
ZPR1048E	47.25 [120.02]	49.25 [125.10]	46.00 [116.84]	-
ZPR1060E	59.00 [149.86]	61.00 [154.94]	57.75 [146.69]	-
ZPR1072E	72.25 [183.59]	74.25 [188.60]	71.00 [180.34]	-
ZPR2084E	84.25 [213.00]	86.25 [219.08]	83.00 [210.82]	40.00 [101.60]
ZPR2096E	96.25 [244.48]	98.25 [249.56]	95.00 [241.30]	44.00 [111.76]
ZPR2120E	119.75 [304.17]	121.75 [309.25]	118.50 [300.99]	57.75 [146.69]

PROJECT		
LOCATION		
ARCHITECT		
ENGINEER		
DWG. NO.	ZPRR0035	TITLE: BERNER
DATE	23FEB04	MODEL ZEPHYR AIR CURTAIN ELECTRIC HEATED SYSTEM
BY	A. Johnston	
REPLACES	10MAR03	
BY	D. Johnson	BERNER INTERNATIONAL CORP. NEW CASTLE, PA.