

**STANDARD FEATURES**

- ◆ 7½" high
- ◆ 1/5 hp direct driven motor(s)
- ◆ Factory installed "intelliswitch" digital programmable controller - *see features below*
- ◆ Aluminum cross-flow blower wheels
- ◆ Aluminum air directional vanes
- ◆ Clear anodized aluminum exterior cabinet
- ◆ Wall mounting plate and ¼" threaded inserts for top mounting
- ◆ Two year parts warranty
- ◆ Freight included continental United States
- ◆ Crafted with Pride in the USA

**COIL FEATURES**

- ◆ 16 gauge galvanized steel casing
- ◆ Factory mounted 5/8" O.D. copper steam/hot water coil
- ◆ Heavy wall seamless copper headers
- ◆ Aluminum fins
- ◆ Hand brazed joints
- ◆ Leak tested @ 325 psig dry nitrogen

**OPTIONAL FEATURES**

- ◆ Bronze anodized aluminum finish
- ◆ Stainless steel finish

MODEL	Nozzle Width (in)	Max. Velocity (fpm)	Avg. Outlet Velocity (fpm)	Air Volume	Motor(s) @ hp	Power Rating (kW)	Outlet Velocity Uniformity (%)	Steam: Capacity (mtbu/hr) <sup>1</sup>	Steam Temp Rise °F	Hot Water: Capacity (mbu/hr) <sup>2</sup>	Hot Water Temp Rise °F	Net Wgt (lbs)	Ship Wgt (lbs)
ZPR1030*	28.00	3000	1777	691	1 @ 1/5	.18	89	29.9	40	18.7	21	39	44
ZPR1036*	35.25	3000	2118	1036	1 @ 1/5	.32	94	40.4	36	24.4	22	48	55
ZPR1042*	41.25	3000	2115	1212	1 @ 1/5	.32	94	47.8	37	28.5	22	55	62
ZPR1048*	47.25	3000	2104	1381	1 @ 1/5	.32	94	55.1	37	34.4	23	62	70
ZPR1060*	59.00	3000	2052	1682	1 @ 1/5	.32	94	68.9	38	44.1	24	75	83
ZPR1072*	72.50	3000	2118	2072	1 @ 1/5	.32	94	85.1	38	55.2	25	87	96
ZPR2084*	84.25	3000	2115	2424	2 @ 1/5	.64	94	99.8	38	65.5	25	113	122
ZPR2096*	96.25	3000	2104	2762	2 @ 1/5	.64	94	114.3	38	75.3	25	127	137
ZPR2120*	119.75	3000	2046	3364	2 @ 1/5	.64	94	144.4	39	96.1	26	150	166

\*S= Steam; W= Hot Water

Performance data based on high speed.

<sup>1</sup>Steam rating based on 70F° entering air and 5 psig steam.

<sup>2</sup>Hot Water based on 70F° entering air and 200F° entering water temperature.

**Intelliswitch Features**

- ◆ Time Delay
- ◆ 10 Speed Fan Selection
- ◆ On/Off/Auto Operation
- ◆ Start/Stop Times
- ◆ Thermostat
- ◆ Low Voltage Control Circuit
- ◆ Time Clock
- ◆ LED Display
- ◆ Lockable Display

MOTOR VOLTAGES/AMP DRAWS					
VOLTS	120	208	240	110*	220*
PHASE	1	1	1	1	1
HERTZ	60	60	60	50	50
AMPS per MOTOR	3.4	1.7	1.7	2.8	1.4

Sound level measured 10' (3m) from the unit in free field:  
1 Motor **54 dBA**  
2 Motors **57 dBA**

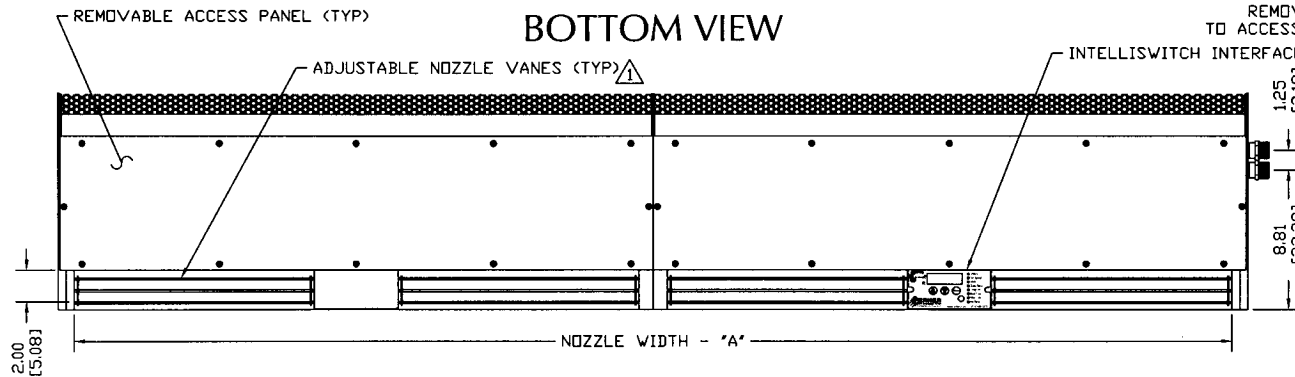
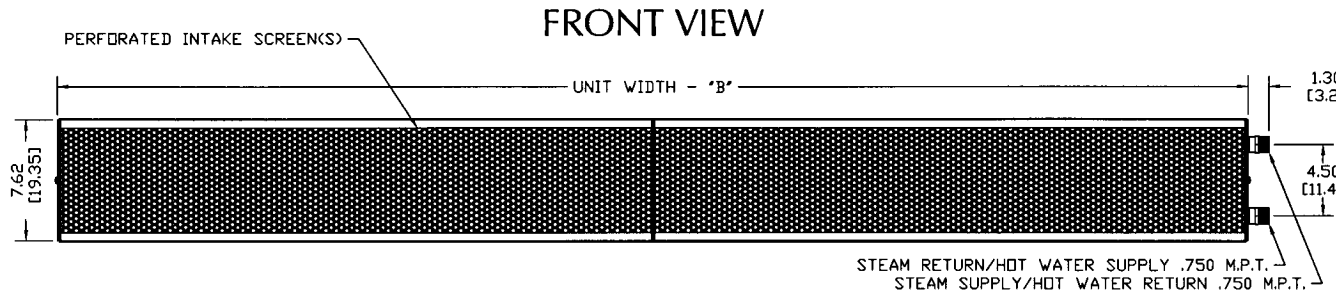
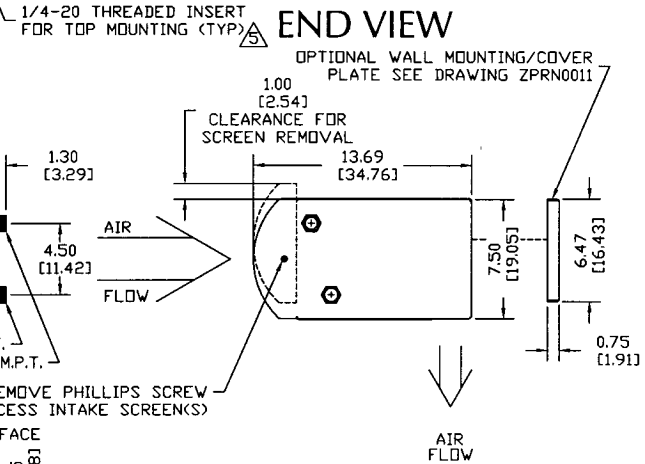
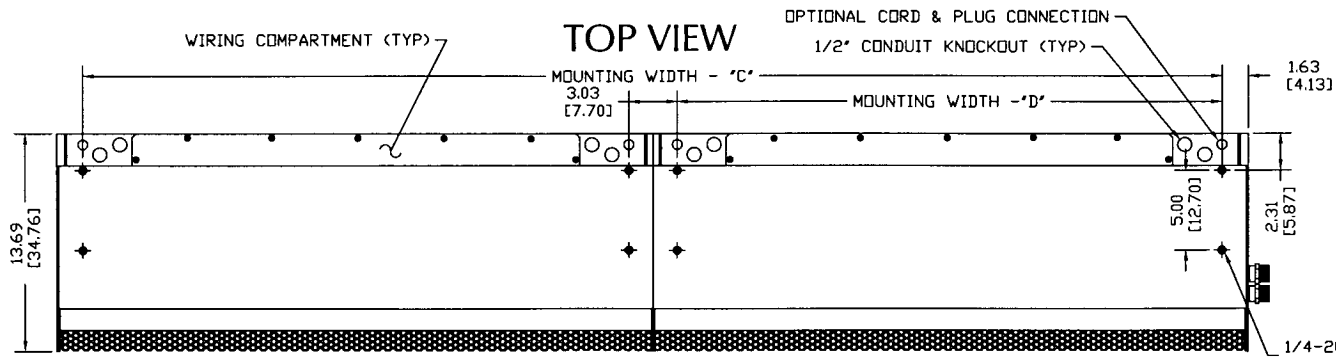
\* Operation at 50 Hz will generate approximately a 17% reduction in performance.



*Berner reserves the right to alter specifications without prior notice.*

# ZEPHYR

## STEAM/HOT WATER SYSTEM



### NOTES:

- ① AIR CURTAIN MUST BE INSTALLED SO AIR STREAM IS NOT OBSTRUCTED WHEN DEFLECTED 20° TO EITHER SIDE OF C.
- ② ELECTRICAL CONNECTIONS TO BE FLEXIBLE.
- ③ FIELD VERIFY DIMENSIONS.
- ④ ANCHORS TO SUPPORTING STRUCTURE BY OTHERS.
- ⑤ ADEQUACY OF SUPPORTING STRUCTURE IS TO BE VERIFIED BY A PROFESSIONAL STRUCTURAL ENGINEER.
- ⑥ REPLACE '\*' WITH 'S' FOR STEAM OR 'W' FOR HOT WATER.
- ⑦ DIMENSIONS IN INCHES (CENTIMETERS).

MODEL ⑦	NOZZLE WIDTH 'A'	UNIT WIDTH 'B'	MOUNTING WIDTH 'C'	MOUNTING WIDTH 'D'
ZPR1030*	28.00 [71.12]	30.00 [76.20]	26.75 [67.95]	-
ZPR1036*	35.25 [89.54]	37.25 [94.62]	34.00 [86.36]	-
ZPR1042*	41.25 [104.78]	43.25 [109.86]	40.00 [101.60]	-
ZPR1048*	47.25 [120.02]	49.25 [125.10]	46.00 [116.84]	-
ZPR1060*	59.00 [149.86]	61.00 [154.94]	57.75 [146.69]	-
ZPR1072*	72.25 [183.59]	74.25 [188.60]	71.00 [180.34]	-
ZPR2084*	84.25 [213.00]	86.25 [219.08]	83.00 [210.82]	40.00 [101.60]
ZPR2096*	96.25 [244.48]	98.25 [249.56]	95.00 [241.30]	44.00 [111.76]
ZPR2120*	119.75 [304.17]	121.75 [309.25]	118.50 [300.99]	57.75 [146.69]

PROJECT		
LOCATION		
ARCHITECT		
ENGINEER		
DWG. NO.	ZPRR0037	TITLE: <b>BERNER</b>
DATE	23FEB04	MODEL ZEPHYR AIR CURTAIN
BY	A.Johnston	STEAM/HOT WATER SYSTEM
REPLACES	05JUN03	
BY	B. Peffer	BERNER INTERNATIONAL CORP. NEW CASTLE, PA.