

PART NO.	MODEL	COLOR	REMARKS
403-965D-01	UCR34Y	WHITE	
403-965D-02	UCR34Y	GRAY	
403-965D-03	UCR34Y	BLACK	
403-965D-04	UCR34Y	METAL	

D

C

B

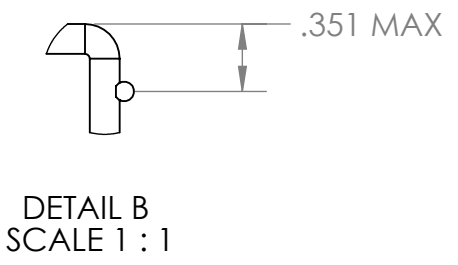
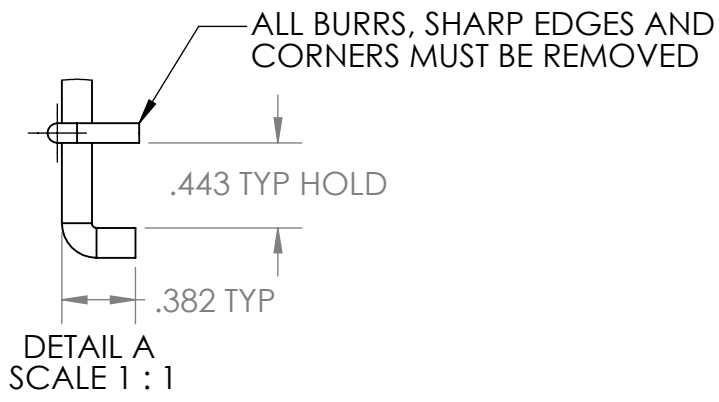
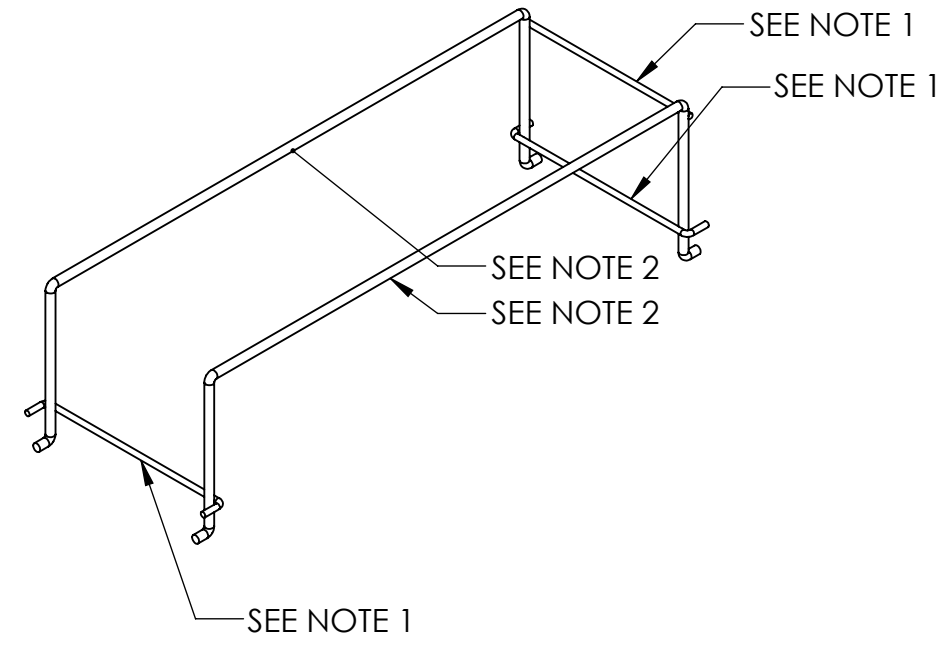
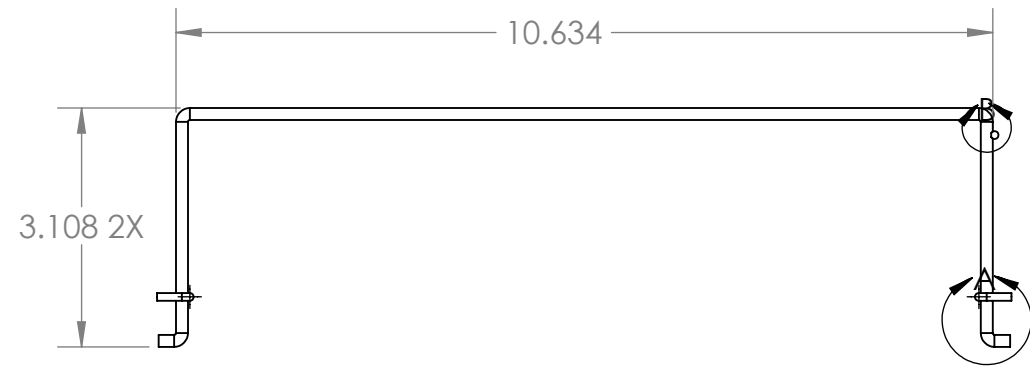
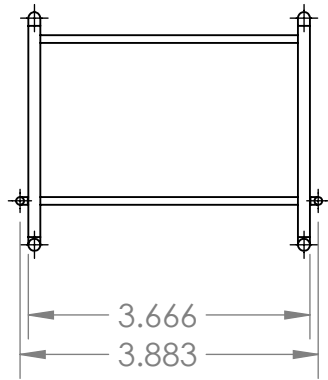
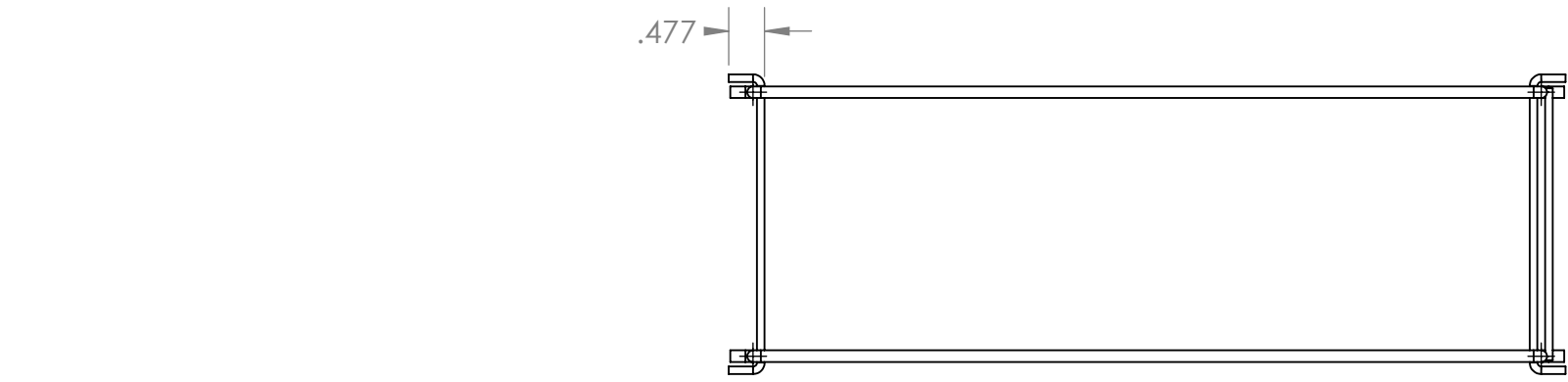
A

D

C

B

A



NOTE & SPECIFICATION:

1. MATERIAL: 0.102 DIAMETER STEEL WIRE
2. MATERIAL: 0.156 DIAMETER STEEL WIRE
3. FINISH: 4 TO 6 MILLS EPOXY COATING  
MUST BE NSF STANDARD NO. 7 APPROVED
4. COLOR (SEE TABLE): MUST BE APPROVED BEVERAGE-AIR  
ENGINEERING DEPARTMENT
5. TO BE RECEIVED CARTONED/BOXED WITH 6 WIRE DIVIDERS PER PACKAGE
6. CARTON PACKAGE TAGGED WITH:  
(A) MODEL WT/UC 34  
(B) B/A PN 403-965D-00 WITH COLOR INDICATION INCLUDED  
LATEST REVISION LETTER & QUANTITY
7. SHIPPING CONTAINER MUST BE MARKED WITH:  
(A) B/A PN, INCLUDING LATEST REVISION LETTER & COLOR  
(B) QUANTITY PER CONTAINER

***** END OF REV *****					
A	INITIAL RELEASE	8/9/13	MH	AMK	2013-0179
REV	REVISION RECORD	DATE	BY	CHK	ECN. NO.
DRAWING NO:		403-965d-00			

THIRD ANGLE PROJECTION 	UNLESS OTHERWISE SPECIFIED:  DIMENSIONS ARE IN INCHES TOLERANCES: ANGULAR: ± 2° ONE PLACE DECIMAL ± .060 TWO PLACE DECIMAL ± .030 THREE PLACE DECIMAL ± .010	NAME	DATE	 <b>BEVERAGE-AIR</b> BROOKVILLE, PA WINSTON-SALEM, NC beverage-air.com	
		DRAWN	MH		8/9/13
COMMENTS:	<b>PROPRIETARY AND CONFIDENTIAL</b> THE INFORMATION CONTAINED IN THIS DRAWING IS THE SOLE PROPERTY OF BEVERAGE-AIR CORPORATION. ANY REPRODUCTION IN PART OR AS A WHOLE WITHOUT THE WRITTEN PERMISSION OF BEVERAGE-AIR CORPORATION IS PROHIBITED.	CHECKED		TITLE:	
		ENG APPR.	AMK	08/09/13	<b>DIVIDER-WIRE ADJUSTABLE</b>
		MFG APPR.			SIZE <b>B</b>
		Q.A.			DWG. NO. <b>403-965d-00</b>
		MODEL		REV <b>A</b>	
		UC/WT 34			
		ENGINEERING REQUIRMENTS			
		SP100		SCALE: 1:4	
				WEIGHT:	
				SHEET 1 OF 1	