



BEVERAGE-AIR

3779 Champion Blvd., Winston-Salem, NC 27105
1-888-845-9800 Fax# 1-336-245-6453
<http://www.Beverage-Air.com>

CUSTOMER'S CHOICE FOR A HOT LOCATION
Tested & Certified to Ambient Class of 100°F

Item No. _____
Quantity _____

**BEER EQUIPMENT
SLIDING GLASS DOOR
BACK BAR REFRIGERATOR
BB PASS-THRU
WINE SERIES**

**MODELS:
BB48GSY-1-B/S-PT-WINE
BB72GSY-1-B/S-PT-WINE
BB78GS-1-B/S-PT-WINE
BB94GS-1-B/S-PT-WINE**

3 Year Parts/Labor Warranty Additional 2 Year Compressor Warranty

PASS-THRU BACK BAR REFRIGERATOR WINE SERIES WITH SLIDING GLASS DOORS

Pass-Thru, self-contained refrigerators come in four widths of 48," 72," 78," and 94."

BB48GSY and BB72GSY shallow depth units are available in two heights: 34" height with standard galvanized steel top for under shelf application and 36" height when adapted with a 2" stainless steel top (*specify -27*). Depth is 25" from face of door to opposite side of cabinet. Handle projects 1/2."

BB78GS and BB94GS units come standard with 2" stainless steel top. Depth is 29" from face of door to opposite side of cabinet. Handle projects 1/2."

Used for storage of red or white wines.

CABINET CONSTRUCTION

Standard, cabinet exterior construction includes attractive, wear resistant vinyl on steel in black finish. Stainless steel models available. Galvanized sub top standard on BB48GSY-1-B and BB72GSY-1-B. 2" stainless steel top optional (*specify -27*).

BB78GS and BB94GS units come standard with 2" stainless steel top. Sliding glass doors are self-closing and includes a stay-open feature and lock.

Standard interior construction utilizes galvanized steel walls and ceiling. Reinforced floor made from heavy-duty stainless steel to provide long lasting service. Interior, fluorescent lighting is standard.

Environmentally friendly foamed-in-place CFC and HCFC-free polyurethane insulation enhances the structural strength of the cabinet and helps increase energy efficiency.

REFRIGERATION

Evaporator located above condensing unit permits full use of interior spaces. Forced air refrigeration systems provide ample capacity to chill and hold wine temperatures between 40°F and 60°F for storage of red or white wines. Forced air is projected the length of cabinet across the ceiling. Adjustable thermostats standard.

Refrigeration system uses R134a refrigerant, which is CFC and HCFC-free for compliance with environmental safety concerns. Remote refrigeration models include expansion valve installed.

Condensate elimination is automatic and non-electric.

ELECTRICAL

Units are wired at factory and ready for connection to a 115/60/1 phase, 15 amp dedicated outlet. 8' long cord and plug set included.



BB48GSY-1-B-PT-WINE



BB48GSY-1-S-27-PT-WINE
(shown in s/s exterior with 2" s/s top)

SPECIAL FEATURES

- Pass-Thru coolers features dual-sided accessibility
- Sliding glass doors
- Door locks
- Door hold-open feature
- 2-pane lowE door glass
- Used for storage of red or white wines

ELECTRICAL CONNECTION

Units are pre-wired at factory and include 8' long cord and plug set.



115/60/1
NEMA-5-15P



*Note: Not all markings may apply to all model variations.

Available From:

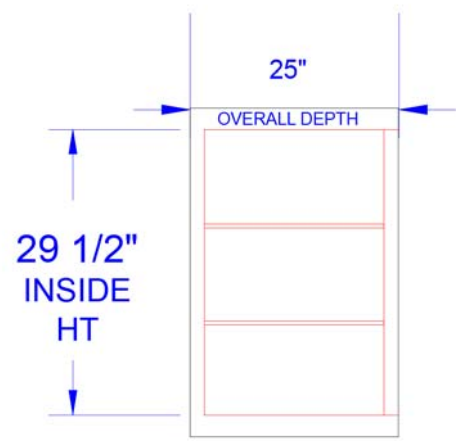
Model Specified _____	Store# _____
Location _____	Quantity _____



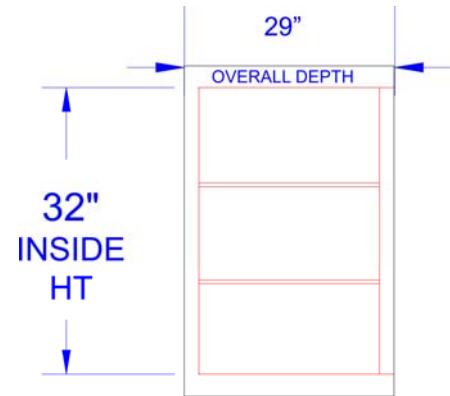
Back Bar Glass Door Refrigerator Wine Series—Pass-Thru Sliding Glass Doors
Models: BB48GSY-1-B-PT-WINE, BB72GSY-1-B-PT-WINE

MODEL	BB48GSY-1-B-PT-WINE	BB72GSY-1-B-PT-WINE	BB78GS-1-B-PT-WINE	BB94GS-1-B-PT-WINE
EXTERNAL DIMENSIONAL DATA				
Length Overall (inches)	48"	72"	79"	95"
Length Overall (mm)	1219	1829	2007	2413
Depth Overall (inches)	25"	25"	29"	29"
Depth Overall (mm)	635	635	734	734
Height Overall—(inches)	34"	34"	37 1/4"	37 1/4"
Height Overall—(mm)	864	864	946	946
Number of doors	4	6	6	6
INTERNAL DIMENSIONAL DATA				
NET Capacity (cubic ft.)	12.1	19.4	33	39.7
NET Capacity (Liters)	343	549	935	1124
Internal Length Overall (inches)	36"	60"	75"	91"
Internal Length Overall (mm)	914	1524	1905	2311
Internal Depth Overall (inches)	18 1/2"	18 1/2"	23"	23"
Internal Depth Overall (mm)	470	470	584	584
Internal Height Overall (inches)	29 1/2"	29 1/2"	32"	32"
Internal Height Overall (mm)	749	749	813	813
Number of Shelves	4	6	6	6
Number of Kegs (1/2 barrel)	2	3	4	5
ELECTRICAL DATA				
Full Load Amperes 115/60/1	5	5	7.2	7.2
REFRIGERATION DATA				
Horsepower	1/4	1/4	1/3	1/3
WEIGHT DATA				
Gross Weight (Crated lbs)	306	366	386	498
Gross Weight (Crated kg)	139	166	175	226

PLAN VIEWS



END
BB48GSY / BB72GSY



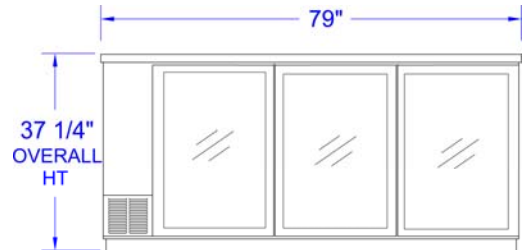
END
BB78GS / BB94GS



*Note: Not all markings may apply to all model variations.



FRONT
BB48GSY-1-B-PT **FRONT**
BB72GSY-1-B-PT



BB78GS-1-B-PT

BEVERAGE-AIR® CORPORATION

3779 Champion Blvd. • Winston-Salem, NC 27105 USA • (336) 245-6400 • Fax (336) 245-6453 • (888) 845-9800 • www.beverage-air.com

Specifications are subject to change without prior notice. 06/13