



BEVERAGE-AIR

3779 Champion Blvd., Winston-Salem, NC 27105
1-888-845-9800 Fax# 1-336-245-6453
<http://www.Beverage-Air.com>

Commercial Refrigeration Equipment General Specification

3 Year Parts/Labor Warranty Additional 2 Year Compressor Warranty

BB 23" BASE SERIES—BACK BAR REFRIGERATOR

Shallow depth, back bar, self-contained refrigerators come in two widths of 48" and 72." Two heights include 34" with standard galvanized steel top for under shelf application and 36" when adapted with a stainless steel top. Depth is 23" from face of door to back of cabinet. Handle projects 1/2." Solid door models come standard with locks.

CABINET CONSTRUCTION

Standard, cabinet exterior construction includes attractive, wear resistant vinyl on steel in black exterior finish. Doors are self-closing and include magnetic gaskets for positive seal.

Standard interior construction utilizes galvanized steel walls and ceiling. Reinforced floor and door sills are made from heavy-duty stainless steel to provide long lasting service. Interior, incandescent, lighting is standard with manual on/off switch.

Foamed-in-place CFC and HCFC-free polyurethane insulation enhances the structural strength of the cabinet and helps increase energy efficiency.

REFRIGERATION

Refrigeration is fully accessible behind grille to right side of cabinet. Evaporator located above condensing unit permits full use of interior spaces. Forced air is projected the length of cabinet across the ceiling. Refrigeration system uses R134a refrigerant, which is CFC and HCFC-free for compliance with environmental safety concerns. Remote refrigeration models include expansion valve installed.

Condensate elimination is automatic and non-electric.

ELECTRICAL

Units wired at factory and ready for connection to a 115/60/1 phase, 15 amp dedicated outlet. 8' long cord and plug set included.

SPECIAL FEATURES

- Keg storage is maximized in lieu of shelf storage when required.

Item No. _____
Quantity _____

BEER EQUIPMENT SOLID DOOR BACK BAR REFRIGERATORS 23" BASE BB SERIES

MODELS:
BB48Y/48R
BB72Y/72R



BB48Y



BB72Y



*Note: Not all markings may apply to all model variations.

Available From:

Model Specified _____

Store# _____

Location _____

Quantity _____



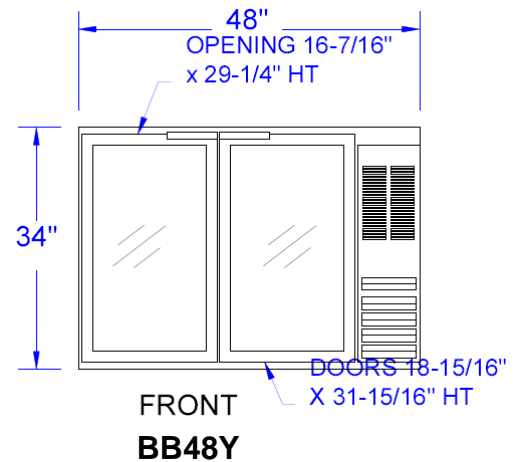
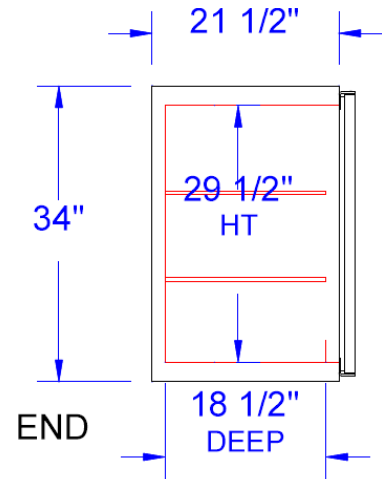
BEVERAGE-AIR

Back Bar Refrigerators, 23" Base

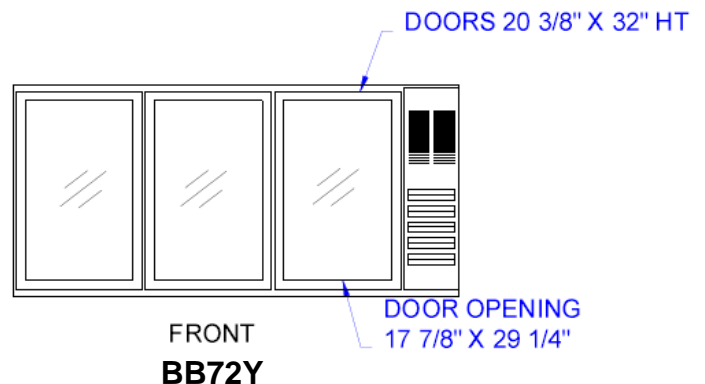
Models: BB48Y, BB48R, BB72Y, BB72R

MODEL	BB48Y	BB48R	BB72Y	BB72R
EXTERNAL DIMENSIONAL DATA				
Length Overall (inches)	48"	48"	72"	72"
Length Overall (mm)	1219	1219	1829	1829
Depth Overall (inches)	23 1/2"	23 1/2"	23 1/2"	23 1/2"
Depth Overall (mm)	597	597	597	597
Height Overall— (inches)	34"	34"	34"	34"
Height Overall—(mm)	864	864	864	864
Clear Door Width (inches)	16 7/16" x 29 1/4"	16 7/16" x 29 1/4"	17 7/8" x 29 1/4"	17 7/8" x 29 1/4"
Depth With Door Open 90°	41 3/8"	41 3/8"	42 3/4"	42 3/4"
Number of doors	2	2	3	3
INTERNAL DIMENSIONAL DATA				
NET Capacity (cubic ft.)	12.1	12.1	19.4	19.4
NET Capacity (Liters)	343	343	549	549
Internal Length Overall (inches)	36"	36"	60"	60"
Internal Length Overall (mm)	914	914	1524	1524
Internal Depth Overall (inches)	18 1/2"	18 1/2"	18 1/2"	18 1/2"
Internal Depth Overall (mm)	470	470	470	470
Internal Height Overall (inches)	29 1/2"	29 1/2"	29 1/2"	29 1/2"
Internal Height Overall (mm)	749	749	749	749
Number of Shelves	4	4	6	6
Number of Kegs (straight wall)	2	2	3	3
ELECTRICAL DATA				
Full Load Amperes 115/60/1	5.0	remote	5.0	remote
REFRIGERATION DATA				
Horsepower	1/4	remote	1/4	remote
WEIGHT DATA				
Gross Weight (Crated lbs)	269	223	366	330
Gross Weight (Crated kg)	122	101	166	150

PLAN VIEWS



FRONT
BB48Y



FRONT
BB72Y



*Note: Not all markings may apply to all model variations.

*N/A: Not available at time of printing.

ELECTRICAL CONNECTION

Units pre-wired at factory and include 8' long cord and plug set.



115/60/1
NEMA-5-15P

BEVERAGE-AIR® CORPORATION

3779 Champion Blvd. • Winston-Salem, NC 27105 USA • (336) 245-6400 • Fax (336) 245-6453 • (888) 845-9800 • www.beverage-air.com

Specifications are subject to change without prior notice. 06/13