



# BEVERAGE-AIR

3779 Champion Blvd., Winston-Salem, NC 27105  
1-888-845-9800 Fax# 1-336-245-6453  
<http://www.Beverage-Air.com>

## Commercial Refrigeration Equipment General Specification

### CURVED DELI REFRIGERATED MERCHANDISER

The Curved Deli Refrigerated Merchandiser enhances the display of cold products: Beverages to Salads, Bakery to Deli, Fruits to Nuts.

#### CABINET CONSTRUCTION

Cabinet exterior is constructed of heavy-duty black or white coated steel, with 14" stainless steel top. Cabinet interior constructed of heavy-duty coated steel and stainless steel floor. Choose from black, white or stainless finish.

Foamed-in-place CFC and HCFC-free polyurethane insulation enhances the structural strength of the cabinet and helps increase energy efficiency.

Self-closing tempered sliding glass thermal pane doors with lock and stay open feature at cabinet rear provide convenient access to displayed product.

Two tiers of adjustable with epoxy coated steel wire shelves are standard. Product is brilliantly illuminated with a fluorescent canopy light and two shelf lights suspended from adjustable epoxy coated shelves. Optional third shelf with light available.

Mirrored interior sides standard.

Load leveler legs are standard.

#### REFRIGERATION

Refrigeration system designed to provide optimum internal temperature and humidity for extended product life. Low velocity air cools with minimum drying.

#### ELECTRICAL

Units wired at factory and ready for connection to a 115/60/1 phase, 15 amp dedicated outlet. 8' long cord and plug set included.

#### SPECIAL FEATURES

- Internal fluorescent lighting
- Mirrored interior sides standard.
- Optional third shelf with light available

Item No. \_\_\_\_\_  
Quantity \_\_\_\_\_

## CURVED GLASS REFRIGERATED PRODUCT MERCHANDISER CDR SERIES

MODEL:  
CDR3  
CDR4  
CDR5  
CDR6



**CDR3**  
(shown in black exterior)



**CDR5**  
(shown in white exterior)



**CDR6**  
(shown in stainless steel exterior)

Available From:



\*Note: Not all markings may apply to all model variations.

Model Specified \_\_\_\_\_

Store# \_\_\_\_\_

Location \_\_\_\_\_

Quantity \_\_\_\_\_



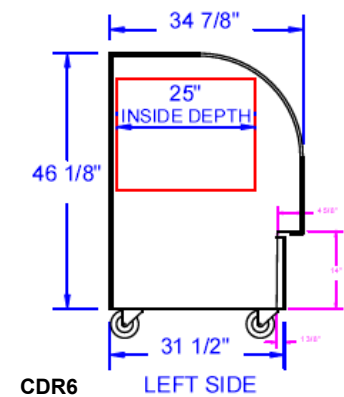
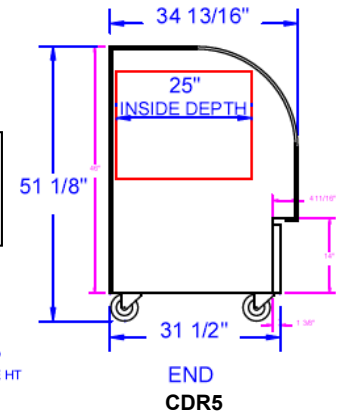
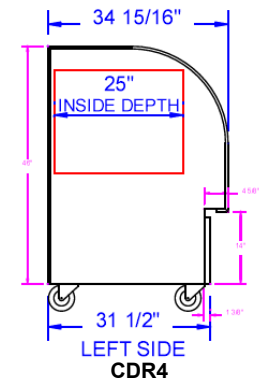
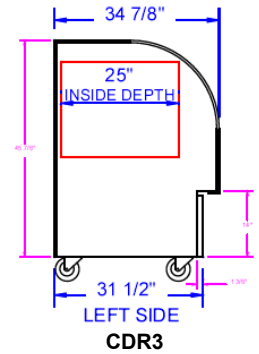
**BEVERAGE-AIR**

**Curved Deli Refrigerated Merchandiser**

Model: CDR3, CDR4, CDR5, CDR6

MODEL	CDR3	CDR4	CDR5	CDR6
<b>EXTERNAL DIMENSIONAL DATA</b>				
Length Overall (inches) Length Overall (mm)	37 3/16" 945	49 1/8" 1248	61 1/16" 1551	73 3/16" 1859
Depth Overall (inches) Depth Overall (mm)	34 7/8" 886	34 15/16" 887	34 13/16" 884	34 7/8" 886
Height Overall— (inches) Height Overall— (mm)	45 7/8" 1165	46" 1168	46" 1168	46 1/8" 1172
<b>INTERNAL DIMENSIONAL DATA</b>				
NET Capacity (cubic ft.) NET Capacity (Liters)	13.4 380	18.1 513	22.9 649	27.6 782
Internal Length Overall (inches) Internal Length Overall (mm)	32" 813	43 1/2" 1105	55 1/2" 1410	67 1/2" 1715
Internal Depth Overall (inches) Internal Depth Overall (mm)	25" 635	25" 635	25" 635	25" 635
Internal Height Overall—(inches) Internal Height Overall—(mm)	21" 533	21" 533	21" 533	21" 533
Number of shelves	2	2	2	2
<b>ELECTRICAL DATA</b>				
Full Load Amperes 115/60/1	8.5	8.5	10.5	10.5
<b>REFRIGERATION DATA</b>				
Horsepower	1/3	1/3	1/2	1/2
<b>WEIGHT DATA</b>				
Gross Weight (Crated lbs)	482	520	626	696
Gross Weight (Crated kg)	219	236	284	316

**PLAN VIEWS**

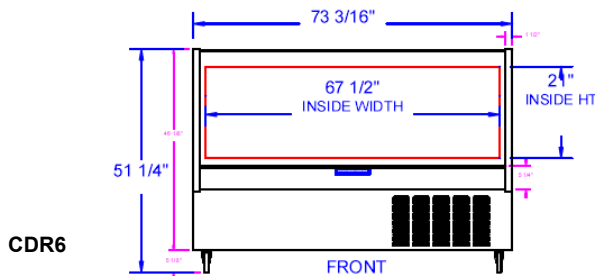
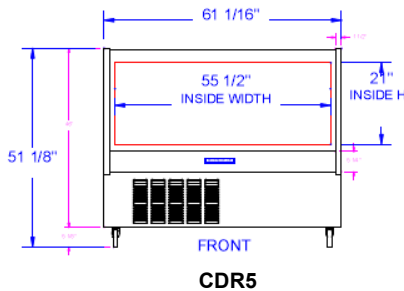
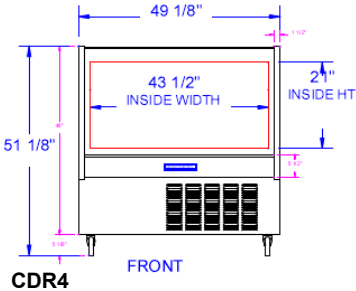
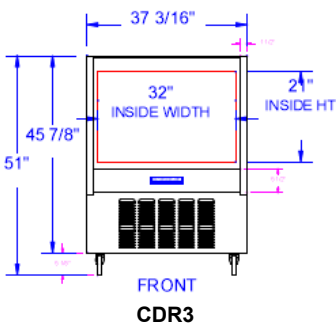


115/60/1  
NEMA-5-15P

**ELECTRICAL CONNECTION**

Units pre-wired at factory and include 8' long cord and plug set.

Note: Not all markings may apply to all model variations.



**BEVERAGE-AIR® CORPORATION**

3779 Champion Blvd. • Winston-Salem, NC 27105 USA • (336) 245-6400 • Fax (336) 245-6453 • (888) 845-9800 • www.beverage-air.com

Specifications are subject to change without prior notice. 04/11