



BEVERAGE-AIR

3779 Champion Blvd., Winston-Salem, NC 27105
1-888-845-9800 Fax# 1-336-245-6453
<http://www.Beverage-Air.com>

Item No. _____
Quantity _____

COUNTERTOP MERCHANTISER SERIES CF3 Countertop Freezer

MODELS:
CF3

Commercial Refrigeration Equipment General Specification

CF3 SERIES—COUNTERTOP FREEZER

Used for merchandising and storage of frozen product. Ideal for ice cream shops, restaurants, bars, supermarkets and convenience stores. Requires minimum countertop space.

CABINET CONSTRUCTION

Heavy duty construction includes pre-painted steel interior and exterior for easy cleaning.

Right-hand hinged door standard with insulated glass and stylish handle.

3 adjustable shelves included.

Unit comes standard with leveling legs which are 2.5" high. In addition to the standard height, legs can be adjusted up to 1" for leveling of the freezer.

REFRIGERATION

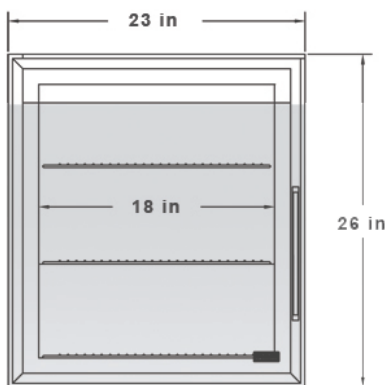
Cold wall refrigeration system uses R404A refrigerant, which is CFC-free for compliance with environmental safety concerns. Operating temperature of -1°F (-18°C).

Ambient conditions of 72°F at 65% relative humidity.

ELECTRICAL

Side, interior fluorescent lighting enhances product illumination.

Units wired at factory and ready for connection to a 115/60/1 phase, 15 amp dedicated outlet. 6.5' long cord and plug set included.



ELECTRICAL CONNECTION

Units pre-wired at factory and include 6.5' long cord and plug set.



115/60/1
NEMA-5-15P



CF3 (unit shown without leveling legs installed)

MODEL	CF3
EXTERNAL DIMENSIONAL DATA	
Length Overall (inches)	23"
Length Overall (mm)	584
Depth Overall (inches)	24"
Depth Overall (mm)	610
Height Overall— (inches)	26"
Height Overall— (mm)	660
<i>Excludes leveling legs</i>	
Number of doors	1
INTERNAL DIMENSIONAL DATA	
NET Capacity (cubic ft.)	3
NET Capacity (Liters)	85
Number of shelves	3
ELECTRICAL DATA	
Full Load Amperes 115/60/1	3
REFRIGERATION DATA	
Horsepower	1/6
WEIGHT DATA	
Gross Weight (Crated lbs)	110
Gross Weight (Crated kg)	50



*Note: Not all markings may apply to all model variations.

Available From:

BEVERAGE-AIR® CORPORATION

3779 Champion Blvd. • Winston-Salem, NC 27105 USA • (336) 245-6400 • Fax (336) 245-6453 • (888) 845-9800 • www.beverage-air.com

Specifications are subject to change without prior notice. 07/12