



# BEVERAGE-AIR

3779 Champion Blvd., Winston-Salem, NC 27105  
1-888-845-9800 Fax# 1-336-245-6453  
<http://www.Beverage-Air.com>

**CUSTOMER'S CHOICE FOR A HOT KITCHEN**  
**Tested & Certified to Ambient Class of 100°F**

## 3 Year Parts/Labor Warranty Additional 2 Year Compressor Warranty

### CABINET CONSTRUCTION

- Exterior—Stainless steel exterior standard,
- Interior - Heavy duty construction includes white coated steel interior walls
- Insulation—foamed-in-place CFC and HCFC-free polyurethane insulation.
- One-piece grille allows easy removal/installation for preventative maintenance.

### REFRIGERATION SYSTEM

- Bottom mount balanced refrigeration system for better ergonomics.
- Automatic condensate evaporation system for energy efficiency.
- Forced-air system ensures uniform distribution of airflow throughout the entire cabinet for even product temperatures; maintains product temperatures between 36 - 38°F.
- Self-contained refrigeration system uses environmentally friendly (CFC and HCFC-free) R134A refrigerant.

### DOOR

- Solid door
- Anti-microbial door handle
- Spring-loaded hinges standard. Positive seal self-closing door with 120° stay open feature.
- Plug-in magnetic door gaskets of one piece construction, removable without tools for ease of cleaning.

### SHELVING

- Three (3) heavy duty epoxy coated wire shelves standard. Four (4) shelf clips included per shelf (field installed).
- Shelves are adjustable in ½" increments.

### MODEL FEATURES

- Incandescent interior lighting
- 6" heavy-duty casters included, two with brakes standard. 3" casters or 6" legs optional.
- Pre-wired plug for 115/60/1 phase.
- Epoxy coated evaporator prevents corrosion.
- UL-EPH and CUL for open food product.

Item No. \_\_\_\_\_  
Quantity \_\_\_\_\_

**BOTTOM MOUNTED  
REACH-IN REFRIGERATORS**  
Horizon Series  
Solid Doors

MODEL:  
HBR12-1



HBR12-1

Available From:



\*Note: Not all markings may apply to all model variations.

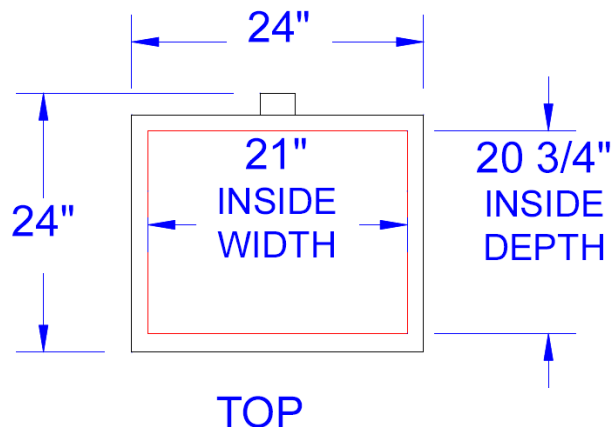
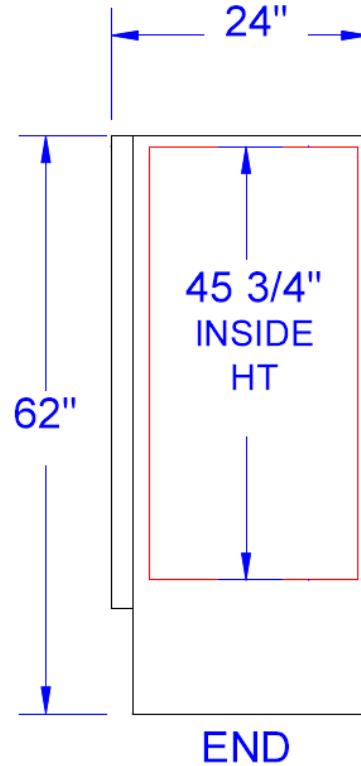
<b>Model Specified</b> _____	<b>Store#</b> _____
<b>Location</b> _____	<b>Quantity</b> _____



**Horizon Bottom Mount Refrigerators**  
**Models: HBR12-1**

<b>MODEL</b>	<b>HBR12-1</b>
<b>EXTERNAL DIMENSIONAL DATA</b>	
Length Overall (inches) Length Overall (mm)	24" 610
Depth Overall (inches) - <i>includes handle</i> Depth Overall (mm) - <i>includes handle</i>	24" 610
Height Overall— (inches) / (mm) <i>Add 6" for legs or casters</i>	62" 1575
Number of doors	1
Depth with Door Open 90°	48.1"
<b>INTERNAL DIMENSIONAL DATA</b>	
NET Capacity (cubic ft.) NET Capacity (Liters)	12 340
Internal Length Overall (inches) Internal Length Overall (mm)	21" 533
Internal Depth Overall (inches) Internal Depth Overall (mm)	20 3/4" 527
Internal Height Overall—(inches) Internal Height Overall—(mm)	45 3/4" 1162
Number of shelves	4
<b>ELECTRICAL DATA</b>	
Full Load Amperes 115/60/1	5.0
<b>REFRIGERATION DATA</b>	
Horsepower	1/5
<b>WEIGHT DATA</b>	
Gross Weight (Crated lbs)	230
Gross Weight (Crated kg)	104

**PLAN VIEWS**



**Note:** Not all markings may apply to all model variations.

**BEVERAGE-AIR® CORPORATION**

3779 Champion Blvd. • Winston-Salem, NC 27105 USA • (336) 245-6400 • Fax (336) 245-6453 • (888) 845-9800 • www.beverage-air.com

Specifications are subject to change without prior notice. 06/13