



# BEVERAGE-AIR

3779 Champion Blvd., Winston-Salem, NC 27105  
1-888-845-9800 Fax# 1-336-245-6453  
<http://www.Beverage-Air.com>

**CUSTOMER'S CHOICE FOR A HOT LOCATION**  
**Tested & Certified to Ambient Class of 100°F**

## 3 Year Parts/Labor Warranty Additional 2 Year Compressor Warranty

**LUMAVUE SLIM LINE SERIES— GLASS DOOR MERCHANDISER**  
Used for merchandising and storage of product.

### CABINET CONSTRUCTION

Heavy duty construction includes white coated steel interior walls. Exterior finish is heavy-duty steel with a baked on durable coating. Choose from black or white finish.

Foamed-in-place CFC and HCFC-free polyurethane insulation enhances the structural strength of the cabinet and helps increase energy efficiency.

Modern, one-piece grille is easily removed for cleaning and servicing.

Double pane, lowE argon filled glass doors feature inside and outside panes that are tempered for added safety.

Two sliding glass doors feature integral door handles that provide low profile and are more aesthetically pleasing. Hold-open feature is standard.

Five white epoxy coated steel shelves per door are standard.

Brightly lighted sign panel.

### REFRIGERATION

Whisper-quiet refrigeration system uses R134a refrigerant, which is CFC and HCFC-free for compliance with environmental safety concerns.

Product temperatures from 32°F to 40°F.

### ELECTRICAL

Standard LED lighting provides hidden light source for increased product visibility. LED bulbs last up to 10 times longer compared to fluorescent bulbs and renders additional energy savings due to reduced wattage load on compressor.

Units wired at factory and ready for connection to a 115/60/1 phase, 15 amp dedicated outlet. 8' long cord and plug set included.

Item No. \_\_\_\_\_  
Quantity \_\_\_\_\_

**SLIDING GLASS DOOR  
LUMAVUE™ SLIM LINE-  
MERCHANDISER SERIES  
LV44**

**MODEL:  
LV44-SLM-1-B-LED  
LV44-SLM-1-W-LED**



**LV44-SLM-1-B  
(shown with 4 shelves per section)**

### SPECIAL FEATURES

- Whisper-quiet refrigeration system
- Sliding glass doors
- Brightly lighted sign panel
- Gravity Flo kits and Can Roller options available

### ELECTRICAL CONNECTION



115/60/1  
NEMA-5-15P

Units pre-wired at factory and include 8' long cord and plug set.



\*Note: Not all mark-

ings may apply to all

Available From:

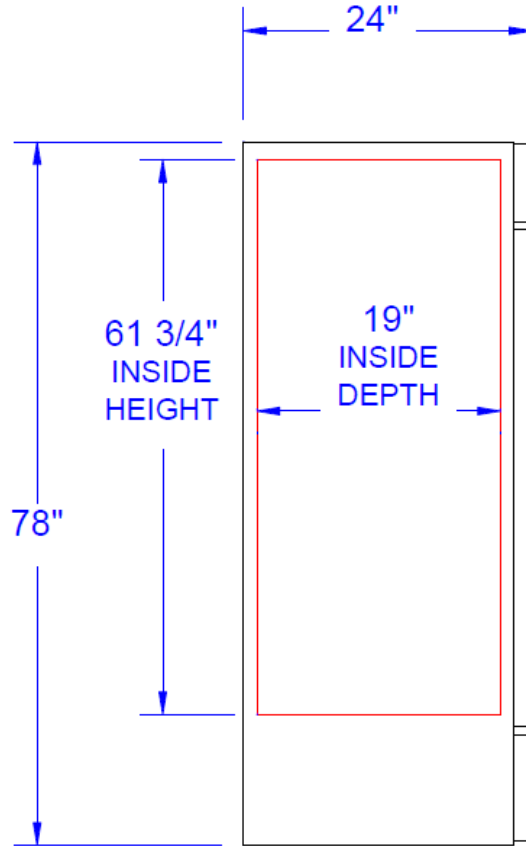
<b>Model Specified</b> _____	<b>Store#</b> _____
<b>Location</b> _____	<b>Quantity</b> _____



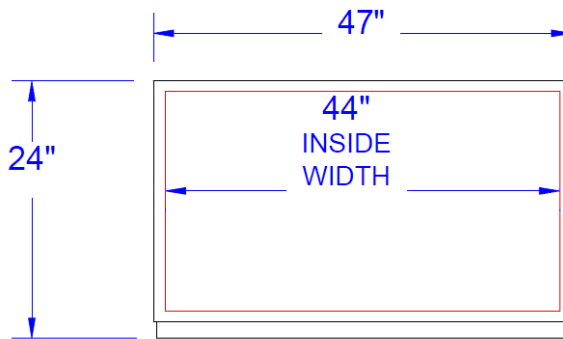
**LumaVue Glass Door Merchandisers**  
**Model: LV44-SLM-1-B-LED, LV44-SLM-1-W-LED**

**PLAN VIEWS**

<b>MODEL</b>	LV444
<b>EXTERNAL DIMENSIONAL DATA</b>	
Length Overall (inches)	47"
Length Overall (mm)	1193
Depth Overall (inches)	24"
Depth Overall (mm)	609
Height Overall— (inches)	78"
Height Overall— (mm)	1981
Number of doors	2
<b>INTERNAL DIMENSIONAL DATA</b>	
NET Capacity (cubic ft.)	34
NET Capacity (Liters)	962
Internal Length Overall (inches)	44"
Internal Length Overall (mm)	1117
Internal Depth Overall (inches)	19"
Internal Depth Overall (mm)	482
Internal Height Overall—(inches)	61 3/4"
Internal Height Overall—(mm)	1569
Number of shelves	10
<b>ELECTRICAL DATA</b>	
Full Load Amperes 115/60/1	8.8 A
<b>REFRIGERATION DATA</b>	
Horsepower	1/3
<b>WEIGHT DATA</b>	
Gross Weight (Crated lbs)	500
Gross Weight (Crated kg)	226



**END**



**TOP**



**Note:** Not all markings may apply to all model variations.

**BEVERAGE-AIR® CORPORATION**

3779 Champion Blvd. • Winston-Salem, NC 27105 USA • (336) 245-6400 • Fax (336) 245-6453 • (888) 845-9800 • www.beverage-air.com

Specifications are subject to change without prior notice. 03/15