



BEVERAGE-AIR

3779 Champion Blvd., Winston-Salem, NC 27105
1-888-845-9800 Fax# 1-336-245-6453
<http://www.Beverage-Air.com>

CUSTOMER'S CHOICE FOR A HOT LOCATION
Tested & Certified to Ambient Class of 100°F

3 Year Parts/Labor Warranty
Additional 2 Year Compressor Warranty

LUMAVUE SERIES—GLASS DOOR MERCHANDISER

Used for merchandising and storage of product.

CABINET CONSTRUCTION

Heavy duty construction includes white coated steel interior walls. Exterior finish is heavy-duty steel with a baked on durable coating. Choose from black or white finish.

Foamed-in-place CFC and HCFC-free polyurethane insulation enhances the structural strength of the cabinet and helps increase energy efficiency.

Modern, one-piece grille is easily removed for cleaning and servicing.

Double pane, lowE argon filled glass doors feature inside and outside panes that are tempered for added safety.

Two sliding glass doors feature integral door handles that provide low profile and are more aesthetically pleasing. Hold-open feature is standard.

Five white epoxy coated steel shelves per door are standard.

Brightly lighted sign panel.

REFRIGERATION

Whisper-quiet refrigeration system uses R134a refrigerant, which is CFC and HCFC-free for compliance with environmental safety concerns.

Product temperatures from 32°F to 40°F.

ELECTRICAL

Interior fluorescent lighting enhances product illumination. Optional LED lighting provides hidden light source for increased product visibility. LED bulbs last up to 10 times longer compared to fluorescent bulbs and renders additional energy savings due to reduced wattage load on compressor.

Item No. _____
Quantity _____

SLIDING GLASS DOOR
LUMAVUE™
MERCHANDISER SERIES
LV45

MODEL:
LV45-1-B
LV45-1-W
LV45-1-B-LED
LV45-1-W-LED



LV45-1-B (shown with 4 shelves per section)

SPECIAL FEATURES

- LV45 has earned the ENERGY STAR®
- Whisper-quiet refrigeration system
- Sliding glass doors
- Brightly lighted sign panel
- Optional LED lighting
- 2010 Federal Energy Compliant
- Gravity Flo kits and Can Roller options available

ELECTRICAL CONNECTION



115/60/1
NEMA-5-15P

Units pre-wired at factory and include 8' long cord and plug set.



*Note: Not all mark-

ings may apply to all

Available From:

Model Specified _____

Store# _____

Location _____

Quantity _____



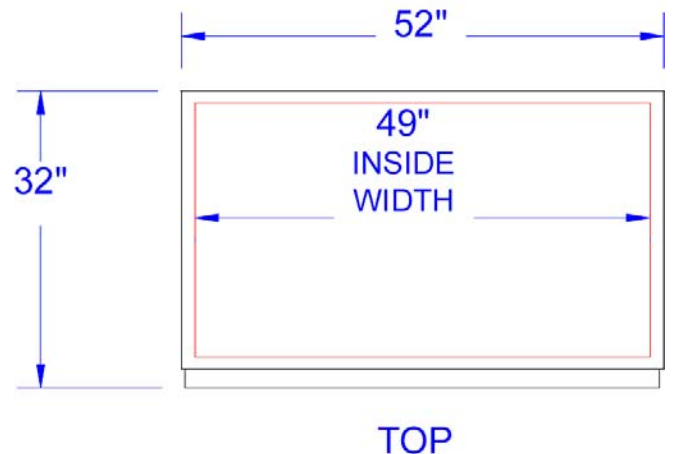
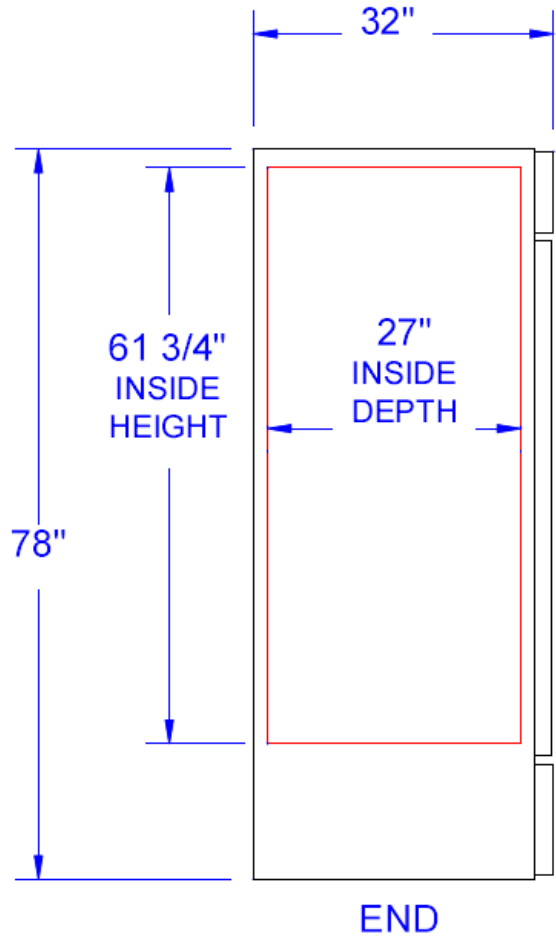
BEVERAGE-AIR

LumaVue Glass Door Merchandisers

Model: LV45

PLAN VIEWS

| | |
|---|-------------|
| MODEL | LV45 |
| EXTERNAL DIMENSIONAL DATA | |
| Length Overall (inches) | 52" |
| Length Overall (mm) | 1321 |
| Depth Overall (inches) | 32" |
| Depth Overall (mm) | 813 |
| Height Overall— (inches) | 78" |
| Height Overall— (mm) | 1981 |
| Number of doors | 2 |
| INTERNAL DIMENSIONAL DATA | |
| NET Capacity (cubic ft.) | 47 |
| NET Capacity (Liters) | 1331 |
| Internal Length Overall (inches) | 49" |
| Internal Length Overall (mm) | 1245 |
| Internal Depth Overall (inches) | 27" |
| Internal Depth Overall (mm) | 686 |
| Internal Height Overall—(inches) | 61 3/4" |
| Internal Height Overall—(mm) | 1569 |
| *Internal Height to Evaporator Housing—(inches) | 54" |
| *Internal Height to Evaporator Housing—(mm) | 1372 |
| Number of shelves | 10 |
| ELECTRICAL DATA | |
| Full Load Amperes 115/60/1 | 8.8 A |
| ENERGY CONSUMPTION | |
| | 6.0 kWh/Day |
| REFRIGERATION DATA | |
| Horsepower | 1/3 |
| WEIGHT DATA | |
| Gross Weight (Crated lbs) | 519 |
| Gross Weight (Crated kg) | 235 |



Note: Not all markings may apply to all model variations.
 *Internal height to evaporator housing.

BEVERAGE-AIR® CORPORATION

3779 Champion Blvd. • Winston-Salem, NC 27105 USA • (336) 245-6400 • Fax (336) 245-6453 • (888) 845-9800 • www.beverage-air.com

Specifications are subject to change without prior notice. 06/13