



# BEVERAGE-AIR

3779 Champion Blvd., Winston-Salem, NC 27105  
1-888-845-9800 Fax# 1-336-245-6453  
<http://www.Beverage-Air.com>

**CUSTOMER'S CHOICE FOR A HOT LOCATION**  
**Tested & Certified to Ambient Class of 100°F**

**3 Year Parts/Labor Warranty**  
**Additional 2 Year Compressor Warranty**

## MARKETMAX™ WINE MERCHANDISERS

Reach-in, bottom mounted wine merchandiser with 120° stay-open solid door(s), Whisper-Quiet refrigeration system and lighted sign panel for merchandising and storage of bottled or boxed wine.

## CABINET CONSTRUCTION

Heavy duty construction includes stainless steel interior and exterior. Foamed-in-place CFC and HCFC-free polyurethane insulation. Modern, durable and easy to remove one-piece grille. Tempered, double pane, lowE argon-filled glass doors. Spring-loaded door hinges with 120° stay-open door feature. Anti-microbial door handles standard. Door locks standard. Easy to remove snap-in door gaskets. Lighted graphic display header panel standard with optional stainless steel header panel available. Vertical interior fluorescent lighting standard with optional LED lighting upgrade available. Six inch (6") heavy duty casters standard with optional 3" casters or 6" legs available at no charge when specified on order.

## SHELVING

Five (5) epoxy coated shelves per door section. Shelves are adjustable in 1/2" increments.

## ELECTRONIC CONTROL

Electronic control with digital display of interior cabinet temperatures.

## REFRIGERATION

Bottom mount and environmentally friendly refrigeration system (R134a refrigerant). Units can be adjusted to maintain temperatures between 35°-60°F.

## ELECTRICAL

Dedicated outlet required. Eight foot (8') cord and plug standard.

## SPECIAL FEATURES

- Whisper-Quiet refrigeration system restricts noise level to 65 decibels or less
- ENERGY STAR® certified for providing superior energy efficiency
- Made in U.S.A.

Item No. \_\_\_\_\_  
Quantity \_\_\_\_\_

**REACH-IN, GLASS DOOR**  
**MARKETMAX™ SERIES**  
**MMR Wine Merchandiser**  
Single, Double and Triple Door

**MODELS:**  
MMR23-1-SS-LED-WINE  
MMR27-1-SS-LED-WINE  
MMR49-1-SS-LED-WINE  
MMR72-1-SS-LED-WINE



## AVAILABLE OPTIONS

- Black Interior
- Audible/Visual Alarm
- Chrome-plated wine rack(s)
- Curved wine rack(s), black or white
- Flat wine rack(s) with bottle support, chrome, black or white
- Shelf clips
- Price tag moulding(s)
- Set of 4 casters (3") or 4 legs (6")
- Selection of 9 additional signs



Refrigerator  
115/60/1  
NEMA-5-15P

## ELECTRICAL CONNECTION

Units pre-wired at factory and include 8' long cord and plug set.

Available From:



\*Note: Not all markings may apply to all model variations.

Model Specified \_\_\_\_\_

Store# \_\_\_\_\_

Location \_\_\_\_\_

Quantity \_\_\_\_\_



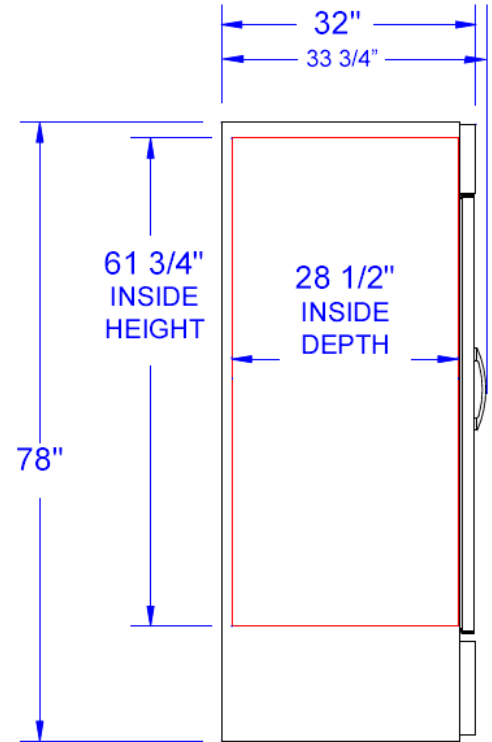
**BEVERAGE-AIR**

**MarketMax™ Wine Merchandisers**

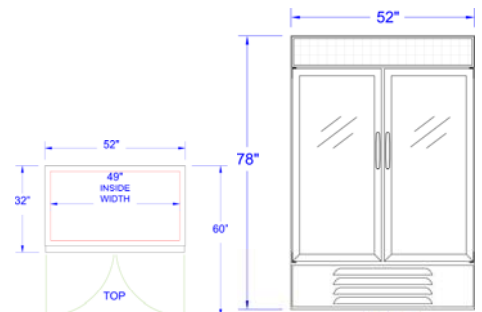
**Model:** MMR23-1-SS-WINE, MMR23-1-SS-LED-WINE, MMR27-1-SS-WINE, MMR27-1-SS-LED-WINE, MMR49-1-SS-WINE, MMR49-1-SS-LED-WINE, MMR72-1-SS-WINE, MMR72-1-SS-LED-WINE

MODEL	MMR23	MMR27	MMR49	MMR72
<b>EXTERNAL DIMENSIONAL DATA</b>				
Length Overall (inches) Length Overall (mm)	27 1/4" 692	30" 762	52" 1321	75" 1905
Depth Overall (inches) - includes handle Depth Overall (mm) - includes handle	33 3/4" 857	33 3/4" 857	33 3/4" 857	33 3/4" 857
Height Overall—(inches) Height Overall—(mm)	78" 1981	78" 1981	78" 1981	78" 1981
Number of doors	1	1	2	3
Depth with Door Open 90 °	60 °	60 °	60 °	55°
<b>INTERNAL DIMENSIONAL DATA</b>				
NET Capacity (cubic ft.) NET Capacity (Liters)	23 651	27 765	49 1388	72 2039
Internal Length Overall (inches) Internal Length Overall (mm)	24" 610	27" 686	49" 1245	72" 1829
Internal Depth Overall (inches) Internal Depth Overall (mm)	28 1/2" 724	28 1/2" 724	28 1/2" 724	28 1/2" 724
Internal Height Overall—(inches) Internal Height Overall—(mm)	61 3/4" 1569	61 3/4" 1569	61 3/4" 1569	61 3/4" 1569
Number of shelves	5	5	10	15
<b>ELECTRICAL DATA</b>				
Full Load Amperes	115/60/1 (5.8 A)	115/60/1 (5.8 A)	115/60/1 (8.8 A)	115/60/1 (9.9 A)
<b>REFRIGERATION DATA</b>				
Horsepower	1/3	1/3	1/3	1/3
<b>WEIGHT DATA</b>				
Gross Weight (Crated lbs)	300	373	530	715
Gross Weight (Crated kg)	136	169	240	324

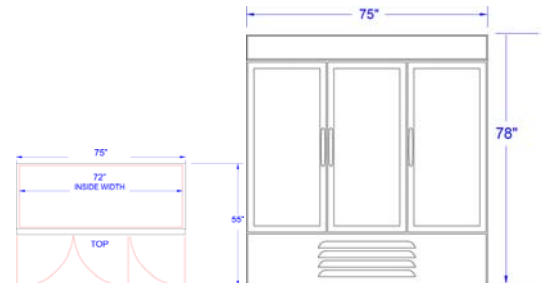
**PLAN VIEWS**



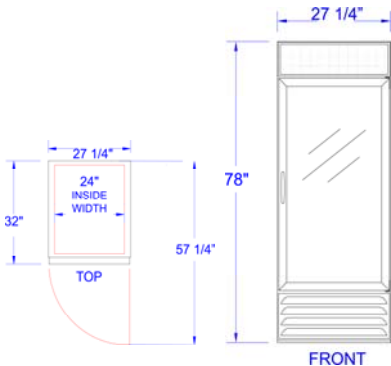
**END**



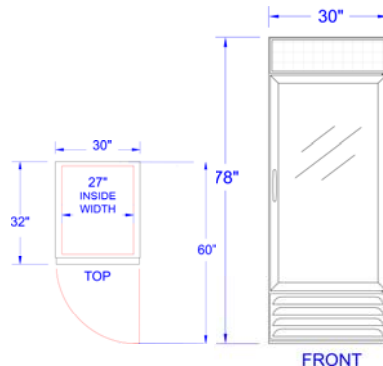
**FRONT**



**FRONT**



**FRONT**



**FRONT**



\*Note: Not all markings may apply to all model variations.

**BEVERAGE-AIR® CORPORATION**

3779 Champion Blvd. • Winston-Salem, NC 27105 USA • (336) 245-6400 • Fax (336) 245-6453 • (888) 845-9800 • www.beverage-air.com

Specifications are subject to change without prior notice. 04//13