



BEVERAGE-AIR

3779 Champion Blvd., Winston-Salem, NC 27105
1-888-845-9800 Fax# 1-336-245-6453
<http://www.Beverage-Air.com>

CUSTOMER'S CHOICE FOR A HOT LOCATION
Tested & Certified to Ambient Class of 100°F

3 Year Parts/Labor Warranty
Additional 2 Year Compressor Warranty

MARKETMAX™ WINE MERCHANDISERS

Reach-in, bottom mounted wine merchandiser with 120° stay-open solid door(s), Whisper-Quiet refrigeration system and lighted sign panel for merchandising and storage of bottled or boxed wine.

CABINET CONSTRUCTION

Heavy duty construction includes stainless steel interior and exterior. Foamed-in-place CFC and HCFC-free polyurethane insulation. Modern, durable and easy to remove one-piece grille. Tempered, double pane, lowE argon-filled glass doors. Spring-loaded door hinges with 120° stay-open door feature. Anti-microbial door handles standard. Door locks standard. Easy to remove snap-in door gaskets. Lighted graphic display header panel standard with optional stainless steel header panel available. Vertical interior fluorescent lighting standard with optional LED lighting upgrade available. Six inch (6") heavy duty casters standard with optional 3" casters or 6" legs available at no charge when specified on order.

WINE RACKS

Eight (8) black or white wine racks per door standard. Shelves are adjustable in 1/2" increments. Shelves hold approximately 10-12 bottles of wine per shelf (*actual capacity will vary depending upon the diameter of bottles used*).

ELECTRONIC CONTROL

Electronic control with digital display of interior cabinet temperatures.

REFRIGERATION

Bottom mount and environmentally friendly refrigeration system (R134a refrigerant). Units can be adjusted to maintain temperatures between 35°-60°F.

ELECTRICAL

Dedicated outlet required. Eight foot (8') cord and plug standard.

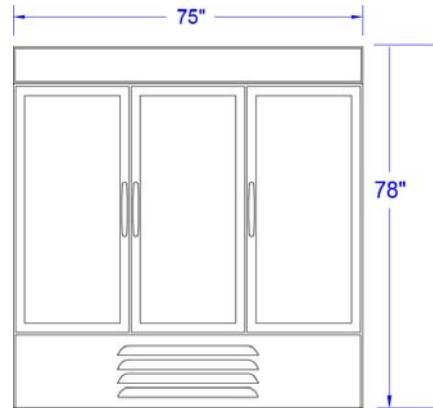
SPECIAL FEATURES

- Whisper-Quiet refrigeration system restricts noise level to 65 decibels or less
- ENERGY STAR® certified for providing superior energy efficiency
- Made in U.S.A.

Item No. _____
Quantity _____

REACH-IN, GLASS DOOR
MARKETMAX™ SERIES
MMR Wine Merchandiser
Single, Double and Triple Door

MODELS:
MMR23-1-SS-WINE
MMR23-1-SS-LED-WINE
MMR27-1-SS-WINE
MMR27-1-22-LED-WINE
MMR49-1-SS-WINE
MMR49-1-SS-LED-WINE
MMR72-1-SS-WINE
MMR72-1-SS-LED-WINE



FRONT



AVAILABLE OPTIONS

- Black Interior
- Audible/Visual Alarm
- Chrome-plated wine rack(s)
- Curved wine rack(s), black or white
- Flat wine rack(s) with bottle support, chrome, black or white
- Shelf clips
- Price tag moulding(s)
- Set of 4 casters (3") or 4 legs (6")
- Selection of 9 additional signs



Refrigerator
115/60/1
NEMA-5-15P

ELECTRICAL CONNECTION

Units pre-wired at factory and include 8' long cord and plug set.

Available From:



*Note: Not all markings may apply to all model variations.

Model Specified _____	Store# _____
Location _____	Quantity _____

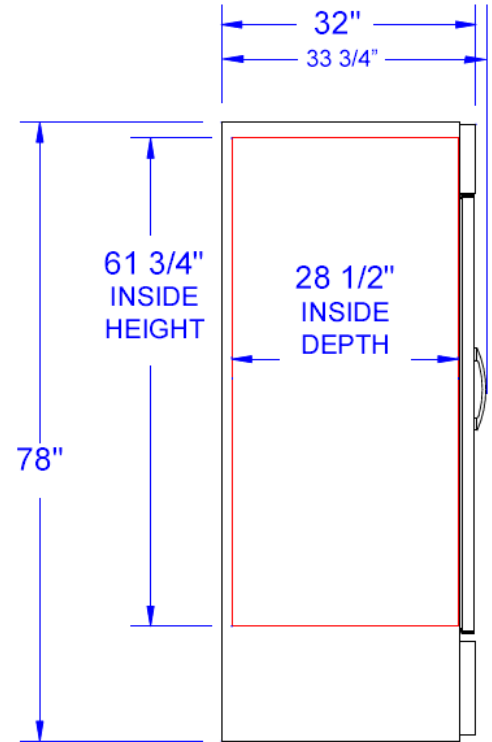


MarketMax™ Wine Merchandisers

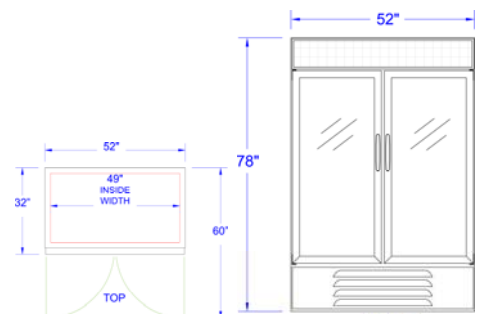
Model: MMR23-1-SS-WINE, MMR23-1-SS-LED-WINE, MMR27-1-SS-WINE, MMR27-1-SS-LED-WINE, MMR49-1-SS-WINE, MMR49-1-SS-LED-WINE, MMR72-1-SS-WINE, MMR72-1-SS-LED-WINE

PLAN VIEWS

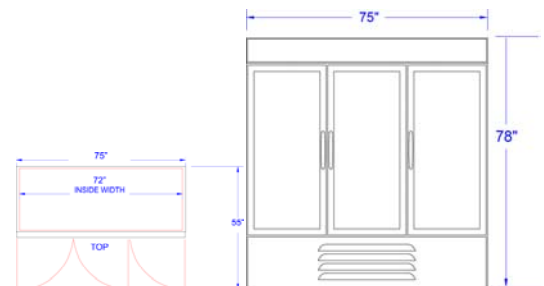
MODEL	MMR23	MMR27	MMR49	MMR72
EXTERNAL DIMENSIONAL DATA				
Length Overall (inches) Length Overall (mm)	27 1/4" 692	30" 762	52" 1321	75" 1905
Depth Overall (inches) - includes handle Depth Overall (mm) - includes handle	33 3/4" 857	33 3/4" 857	33 3/4" 857	33 3/4" 857
Height Overall—(inches) Height Overall—(mm)	78" 1981	78" 1981	78" 1981	78" 1981
Number of doors	1	1	2	3
Depth with Door Open 90 °	60 °	60 °	60 °	55 °
INTERNAL DIMENSIONAL DATA				
NET Capacity (cubic ft.) NET Capacity (Liters)	23 651	27 765	49 1388	72 2039
Internal Length Overall (inches) Internal Length Overall (mm)	24" 610	27" 686	49" 1245	72" 1829
Internal Depth Overall (inches) Internal Depth Overall (mm)	28 1/2" 724	28 1/2" 724	28 1/2" 724	28 1/2" 724
Internal Height Overall—(inches) Internal Height Overall—(mm)	61 3/4" 1569	61 3/4" 1569	61 3/4" 1569	61 3/4" 1569
Number of shelves	8	8	16	24
ELECTRICAL DATA				
Full Load Amperes	115/60/1 (5.8 A)	115/60/1 (5.8 A)	115/60/1 (8.8 A)	115/60/1 (9.9 A)
REFRIGERATION DATA				
Horsepower	1/3	1/3	1/3	1/3
WEIGHT DATA				
Gross Weight (Crated lbs)	300	373	530	715
Gross Weight (Crated kg)	136	169	240	324



END



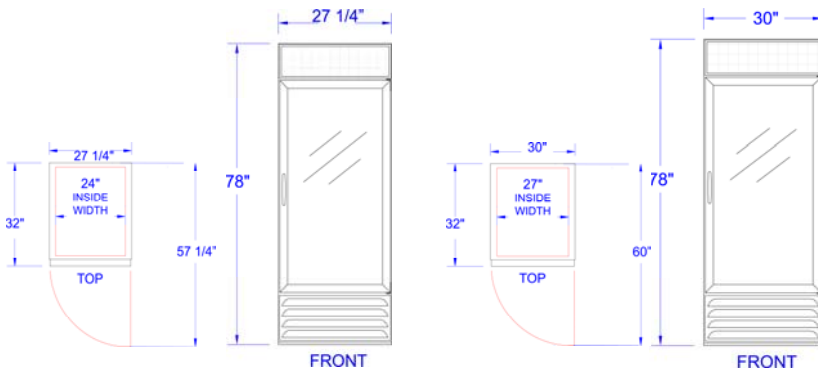
FRONT



FRONT



*Note: Not all markings may apply to all model variations.



FRONT

FRONT

BEVERAGE-AIR® CORPORATION

3779 Champion Blvd. • Winston-Salem, NC 27105 USA • (336) 245-6400 • Fax (336) 245-6453 • (888) 845-9800 • www.beverage-air.com

Specifications are subject to change without prior notice. 04//13