



# BEVERAGE-AIR

3779 Champion Blvd., Winston-Salem, NC 27105  
1-888-845-9800 Fax# 1-336-245-6453  
<http://www.Beverage-Air.com>

**CUSTOMER'S CHOICE FOR A HOT LOCATION**  
**Tested & Certified to Ambient Class of 100°F**

**3 Year Parts/Labor Warranty**  
**Additional 2 Year Compressor Warranty**

## MARKETMAX™ MERCHANDISER SERIES—GLASS DOOR MERCHANDISER

Double section glass door merchandiser with lighted sign panel used for merchandising and storage of frozen food, frozen novelty items and cold product.

### CABINET CONSTRUCTION

Heavy duty construction includes white coated steel interior walls. Exterior finish is heavy-duty steel with a baked on durable coating. Choose from black or white finish. S/S exterior and black interior options are available.

Foamed-in-place CFC and HCFC-free polyurethane insulation.  
Modern, one-piece grille is easily removed for cleaning and servicing.

Refrigerators have double pane, lowE argon filled glass doors. Freezer models have heated triple pane glass. Inside and outside panes are tempered for added safety. Anti-microbial door handles are standard. Doors provide automatic hold-open feature.

Brightly lighted sign panel.

### SHELVING

Five (5) heavy duty epoxy coated wire shelves per section standard.  
Four (4) shelf clips included per shelf (field installed).  
Shelves are adjustable in ½" increments.

### ELECTRONIC CONTROL

Electronic thermostat with manual defrost button provides a digital display of cabinet temperatures, which includes status indicators and key pad for any necessary temperature adjustments.

### REFRIGERATION

Self-contained bottom mount refrigeration system. Expansion valve refrigerant control on freezer provides quick temperature pull down and reduces compressor run time—meaning reduced energy consumption. Includes automatic condensate disposal. Refrigerators utilize ozone friendly R134a refrigerant. Freezers utilize ozone friendly R404A refrigerant and its defrost system is fully automatic, time-initiated and temperature terminated operation.

Freezer product temperatures from -10°F to -15°F.  
Refrigerator product temperatures from 36°F to 38°F.

### ELECTRICAL

Interior fluorescent lighting enhances product illumination.  
Optional LED lighting provides hidden light source for increased product visibility. LED bulbs last up to 10 times longer compared to fluorescent bulbs and renders additional energy savings due to reduced wattage load on compressor.

Item No. \_\_\_\_\_  
Quantity \_\_\_\_\_

**HINGED GLASS DOOR**  
**MARKETMAX™**  
**MERCHANDISER SERIES**  
**MM49 Refrigerator and Freezers**  
Double Door

**MODELS:**  
MMR49-1-B  
MMR49-1-W  
MMR49-1-B-LED  
MMR49-1-W-LED  
MMF49-1-B  
MMF49-1-W  
MMF49-1-B-LED  
MMF49-1-W-LED



**MMR49-1-B**  
(SHOWN IN BLACK EXTERIOR)  
White and S/S Exterior finishes available



**MMF49-1-W**  
(SHOWN IN WHITE EXTERIOR)  
Black and S/S Exterior

### SPECIAL FEATURES

- MMR49 and MMF49 have earned the ENERGY STAR®
- Anti-microbial door handles
- Electronic control with digital display
- Brightly lighted sign panel
- Optional LED lighting
- **Available options:** S/S Exterior, Black Interior, Wine Racks, Spring Feed Dividers, Casters, Audible Alarm With PM Feature, Smart Defrost

### ELECTRICAL CONNECTION

Refrigerator units wired at factory and ready for connection to a 115/60/1 phase, 15 amp dedicated outlet. Freezer units wired at factory and ready for connection to a 115/60/1 phase, 20 amp dedicated outlet. 8' long cord and plug set included.



115/60/1  
NEMA-5-15P  
Refrigerator



115/60/1  
NEMA-5-20P  
Freezer

### ELECTRICAL CONNECTION

Units pre-wired at factory and include 8' long cord and plug set.



\*Note: Not all markings may apply to all model variations.

Available From:

Model Specified \_\_\_\_\_

Store# \_\_\_\_\_

Location \_\_\_\_\_

Quantity \_\_\_\_\_



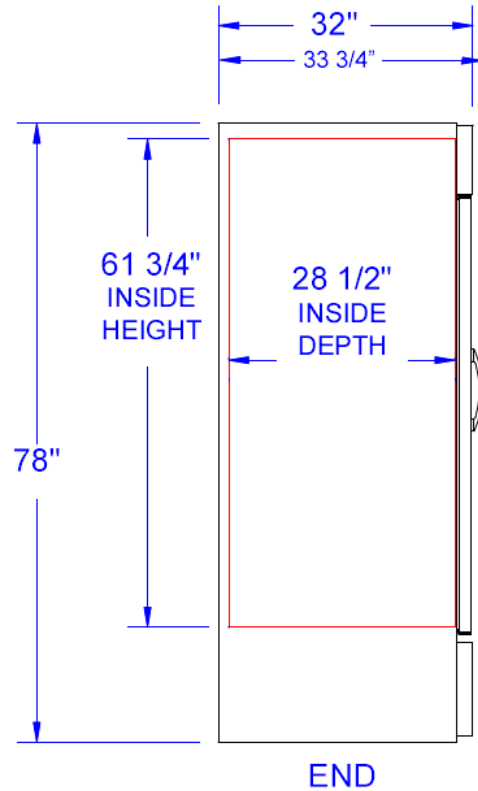
**BEVERAGE-AIR**

**MarketMax™ Glass Door Merchandisers**

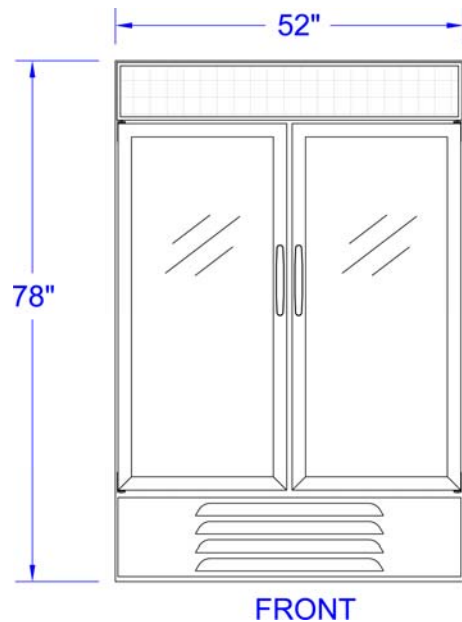
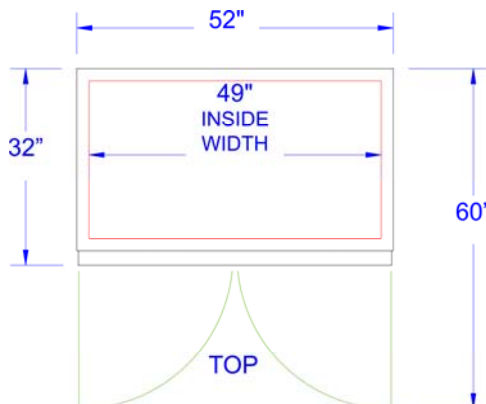
Model: MMR49, MMF49

MODEL	MMR49	MMF49
<b>EXTERNAL DIMENSIONAL DATA</b>		
Length Overall (inches)	52"	52"
Length Overall (mm)	1321	1321
Depth Overall (inches) - includes handle	33 3/4"	33 3/4"
Depth Overall (mm) - includes handle	857	857
Height Overall— (inches)	78"	78"
Height Overall— (mm)	1981	1981
Number of doors	2	2
Depth with Door Open 90 °	60"	60"
<b>INTERNAL DIMENSIONAL DATA</b>		
NET Capacity (cubic ft.)	49	49
NET Capacity (Liters)	1388	1388
Internal Length Overall (inches)	49"	49"
Internal Length Overall (mm)	1245	1245
Internal Depth Overall (inches)	28 1/2"	28 1/2"
Internal Depth Overall (mm)	724	724
Internal Height Overall—(inches)	61 3/4"	61 3/4"
Internal Height Overall—(mm)	1569	1569
Number of shelves	10	10
<b>ELECTRICAL DATA</b>		
Full Load Amperes 115/60/1	8.8 A	13.8 A
<b>REFRIGERATION DATA</b>		
Horsepower	1/3	3/4
<b>WEIGHT DATA</b>		
Gross Weight (Crated lbs)	530	560
Gross Weight (Crated kg)	240	254

**PLAN VIEWS**



Note: Not all markings may apply to all model variations.



**BEVERAGE-AIR® CORPORATION**

3779 Champion Blvd. • Winston-Salem, NC 27105 USA • (336) 245-6400 • Fax (336) 245-6453 • (888) 845-9800 • www.beverage-air.com

Specifications are subject to change without prior notice. 10/14