



# BEVERAGE-AIR

3779 Champion Blvd., Winston-Salem, NC 27105  
1-888-845-9800 Fax# 1-336-245-6453  
<http://www.Beverage-Air.com>

Item No. \_\_\_\_\_  
Quantity \_\_\_\_\_

## MIX & BULK MILK STORAGE MS SERIES

MODELS:  
MS58  
MS68

### Commercial Refrigeration Equipment General Specification

#### 3 Year Parts/Labor Warranty Additional 2 Year Compressor Warranty

#### MS SERIES—MIX & BULK MILK STORAGE

Available in 58" and 68" width. Units are ideal for storing mix and bulk milk.

#### CABINET CONSTRUCTION

Standard, cabinet exterior is constructed of heavy-duty white coated steel. Stainless exterior options available. Equipped with 2" stainless steel top. Doors are self-closing and include key locks. Magnetic door gaskets provide positive door sealing. Doors are field reversible with hinge kit accessory.

Standard interior construction utilizes galvanized steel walls and ceiling. Reinforced floor and doorsills are made from heavy-duty stainless steel to provide long lasting service.

Interior, incandescent, lighting is standard with manual on/off switch.

Foamed-in-place CFC and HCFC-free polyurethane insulation enhances the structural strength of the cabinet and helps increase energy efficiency.

#### REFRIGERATION

Lift-out refrigeration system uses R134a refrigerant, which is CFC and HCFC-free for compliance with environmental safety concerns.

Condensate elimination is automatic and non-electric.

#### ELECTRICAL

Units wired at factory and ready for connection to a 115/60/1 phase, 15 amp dedicated outlet. 8' long cord and plug set included.

#### SPECIAL FEATURES

- Three sizes of syrup rails available (optional)  
3 jar rail: 15 5/8" W x 8 3/8" D x 10 19/32" H  
6 jar rail: 29 13/32" W x 8 3/8" D x 10 19/32" H  
9 jar rail: 43 3/16" W x 8 3/8" D x 10 19/32" H
- Six fruit jar inserts available (optional)



MS58 (white exterior shown)



MS68 (white exterior shown)

#### ELECTRICAL CONNECTION



115/60/1  
NEMA-5-15P

Units pre-wired at factory and include 8' long cord and plug set.



\*Note: Not all markings

may apply to all

Available From:

Model Specified \_\_\_\_\_

Store# \_\_\_\_\_

Location \_\_\_\_\_

Quantity \_\_\_\_\_



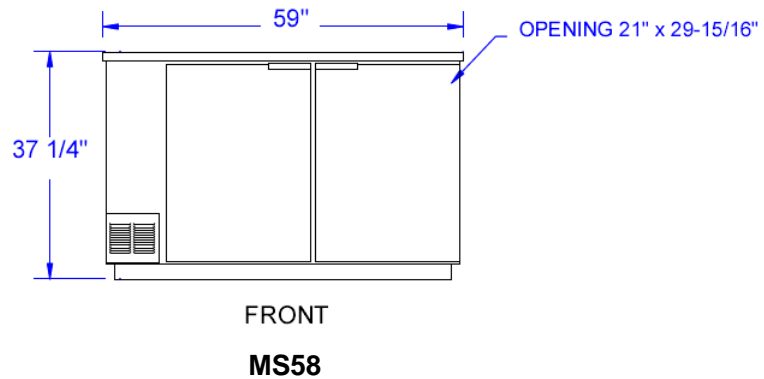
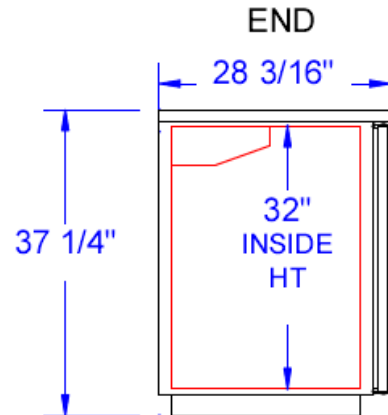
**BEVERAGE-AIR**

**Mix & Bulk Milk Storage**

Models: MS58, MS68

MODEL	MS58	MS68
<b>EXTERNAL DIMENSIONAL DATA</b>		
Length Overall (inches)	59"	69"
Length Overall (mm)	1499	1753
Depth Overall (inches)	28 3/16"	28 3/16"
Depth Overall (mm)	716	716
Height Overall— (inches)	37 1/4"	37 1/4"
Height Overall—(mm)	946	946
Clear Door Width (inches)	21" x 29 15/16"	21" x 29 15/16"
Depth With Door Open 90°	50 1/2"	50 1/2"
Number of doors	2	2
<b>INTERNAL DIMENSIONAL DATA</b>		
NET Capacity (cubic ft.)	23.8	28.4
NET Capacity (Liters)	674	804
Internal Length Overall (inches)	55"	65"
Internal Length Overall (mm)	1397	1651
Internal Depth Overall (inches)	23"	23"
Internal Depth Overall (mm)	584	584
Internal Height Overall (inches)	32"	32"
Internal Height Overall (mm)	813	813
Number of Shelves	4	4
<b>ELECTRICAL DATA</b>		
Full Load Amperes 115/60/1	7.2	7.2
<b>ENERGY CONSUMPTION (KWH)</b>		
	4.37	3.55
<b>REFRIGERATION DATA</b>		
Horsepower	1/3	1/3
<b>WEIGHT DATA</b>		
Gross Weight (Crated lbs)	360	390
Gross Weight (Crated kg)	163	177

**PLAN VIEWS**



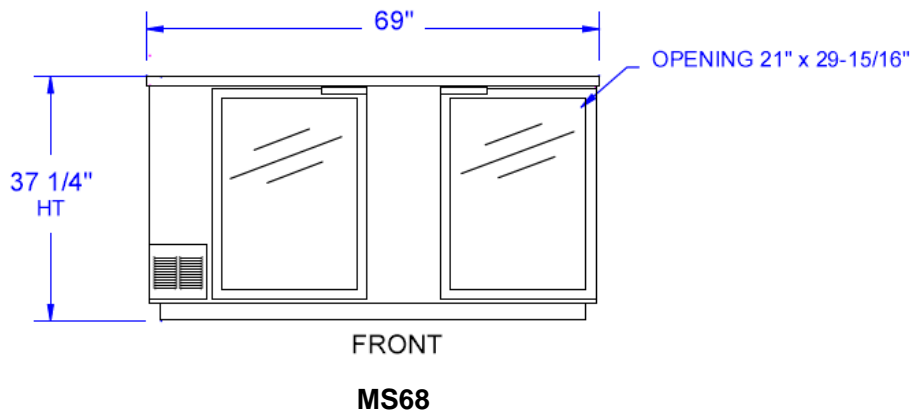
\*Note: Not all markings may apply to all model variations.

**ELECTRICAL CONNECTION**

Units pre-wired at factory and include 8' long cord and plug set.



115/60/1  
NEMA-5-15P



**BEVERAGE-AIR® CORPORATION**

3779 Champion Blvd. • Winston-Salem, NC 27105 USA • (336) 245-6400 • Fax (336) 245-6453 • (888) 845-9800 • www.beverage-air.com

Specifications are subject to change without prior notice. 06/13