



BEVERAGE-AIR

3779 Champion Blvd., Winston-Salem, NC 27105
1-888-845-9800 Fax# 1-336-245-6453
<http://www.Beverage-Air.com>

Item No. _____
Quantity _____

TOP MOUNTED PASS-THRU REFRIGERATORS PRD SERIES GLASS AND HALF-GLASS DOORS

MODELS:
PRD1-1BG
PRD2-1BG
PRD3-1BG

PRD1-1BHG
PRD2-1BHG
PRD3-1BHG

Commercial Refrigeration Equipment General Specification

3 Year Parts/Labor Warranty Additional 2 Year Compressor Warranty

CABINET CONSTRUCTION

- Exterior—Stainless steel exterior.
- Interior—Stainless steel interior.
- Insulation—2" foamed-in-place CFC and HCFC-free polyurethane insulation.

DIGITAL THERMOMETER

- Exterior digital thermometer provides a digital display of cabinet temperatures.

REFRIGERATION SYSTEM

- Top mount, environmentally friendly refrigeration system maintains product temperatures of 36 - 38°F.
- Factory engineered, self-contained refrigeration system uses environmentally friendly (CFC and HCFC-free) R134A refrigerant.

DOORS

- Choose from glass door or half-glass door configuration.
- Anti-microbial door handles are standard.
- Doors feature cam lift hinges as standard. Positive seal self-closing door(s) with 120° stay open feature.
- Snap-in door gaskets of one piece construction, removable without tools for ease of cleaning.

SHELVING

- Three (3) heavy duty epoxy coated wire shelves per section standard. Four (4) shelf clips included per shelf (field installed).
- Shelves are adjustable in 1/2" increments. Four (4) interior pan slide kits available for field installation (see catalog).

MODEL FEATURES

- Fluorescent interior lighting.
- 6" heavy-duty legs included. 3" or 6" casters are optional.
- Cord and plug pre-wired – 115/60/1 phase.
- UL-EPH and CUL for open food product.



PRD2-1BHG

Available From:



*Note: Not all markings may apply to all model variations.

Model Specified _____	Store# _____
Location _____	Quantity _____



BEVERAGE-AIR

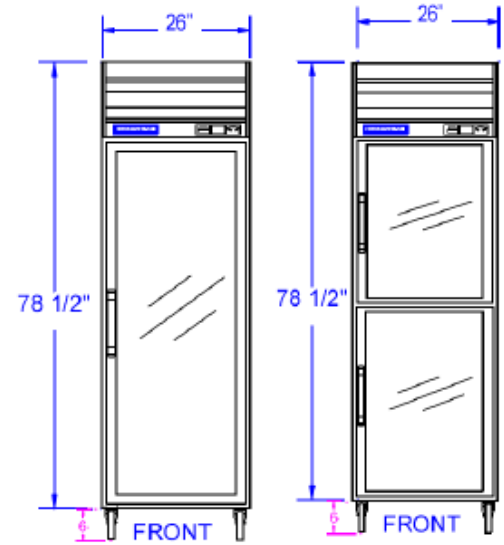
Top Mount, Pass-Thru Refrigerators

Models: PRD1, PRD2, PRD3

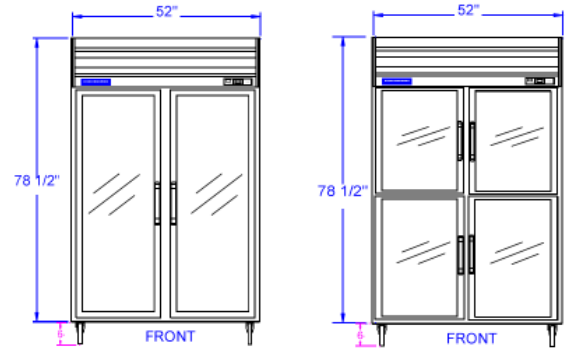
(-BG) Glass Door Models, (-BHG) Half-Glass Door Models

MODEL	PRD1-1BG PRD1-1BHG	PRD2-1BG PRD2-1BHG	PRD3-1BG PRD3-1BHG
EXTERNAL DIMENSIONAL DATA			
Length Overall (inches)	26"	52"	78"
Length Overall (mm)	660	1321	1981
Depth Overall—(inches) less handle	34"	34"	34"
Depth Overall—(mm) less handle	864	864	864
Height Overall— (inches) less casters	78 1/2"	78 1/2"	78 1/2"
Height Overall— (mm) less casters	1994	1994	1994
Number of doors	2 4	4 8	6 12
INTERNAL DIMENSIONAL DATA			
NET Capacity (cubic ft.)	24	49.7	78.7
NET Capacity (Liters)	680	1407	2229
Number of shelves	3	6	9
ELECTRICAL DATA			
Full Load Amperes 115/60/1	6.0	12.0	14.0
REFRIGERATION DATA			
Horsepower	1/3	3/4	1
WEIGHT DATA			
Gross Weight (Crated lbs)	471 471	817 660	1144 1152
Gross Weight (Crated kg)	214 214	371 299	519 523

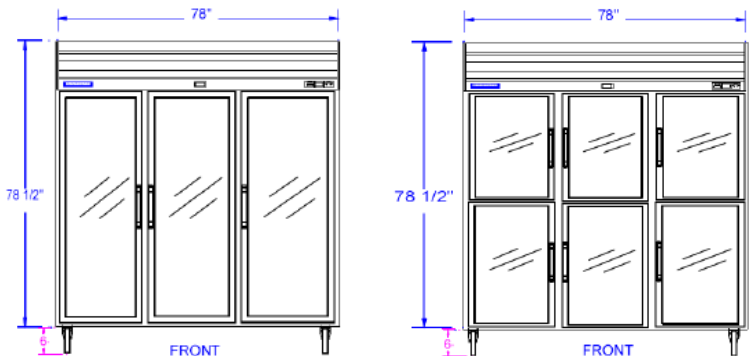
PLAN VIEWS



**PRD1-1BG
PRD1-1BHG**



**PRD2-1BG
PRD2-1BHG**



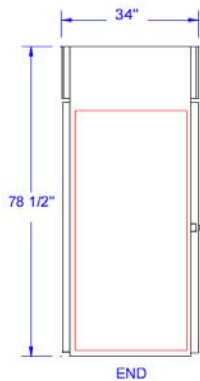
**PRD3-1BG
PRD3-1BHG**



*Note: Not all markings may apply to all model variations.

ELECTRICAL CONNECTION

Units pre-wired at factory and include 8' long cord and plug set.



BEVERAGE-AIR® CORPORATION

3779 Champion Blvd. • Winston-Salem, NC 27105 USA • (336) 245-6400 • Fax (336) 245-6453 • (888) 845-9800 • www.beverage-air.com

Specifications are subject to change without prior notice. 06/13