



BEVERAGE-AIR

3779 Champion Blvd., Winston-Salem, NC 27105
1-888-845-9800 Fax# 1-336-245-6453
<http://www.Beverage-Air.com>

Commercial Refrigeration Equipment General Specification

3 Year Parts/Labor Warranty Additional 2 Year Compressor Warranty

CABINET CONSTRUCTION

- Exterior—Stainless steel exterior.
- Interior—Stainless steel interior.
- Insulation—2" foamed-in-place CFC and HCFC-free polyurethane insulation.
- Separate top mount evaporator housing.
- Freezer section is located at right section.

DIGITAL THERMOMETER

- Exterior digital thermometer provides a digital display of cabinet temperatures.

REFRIGERATION SYSTEM

- Top mount, environmentally friendly refrigeration systems. Refrigerators maintain product temperatures of 36°-38°F. Freezers maintain product temperatures at 0°F.
- Refrigerators utilize R134a & freezers R404A refrigerant, which are (CFC and HCFC-free) for compliance with environmental safety standards.

DOORS

- Solid door configuration (2 Full Solid Doors).
- Anti-microbial door handles and door locks are standard.
- Field reversible doors and cam lift hinges standard. Positive seal self-closing door(s) with 120° stay open feature.
- Snap-in door gaskets of one piece construction, removable without tools for ease of cleaning.
- Three (3) heavy duty epoxy coated wire shelves per section standard. Four (4) shelf clips included per shelf (field installed).
- Shelves are adjustable in 1/2" increments.

MODEL FEATURES

- Incandescent interior lighting.
- 6" heavy-duty legs included. 3" or 6" casters are optional.
- UL-EPH and CUL for open food product.

WARRANTIES

- One year parts and labor warranty.
- Five year compressor warranty.

Item No. _____
Quantity _____

TOP MOUNTED DUAL TEMPERATURE REACH-IN PRF SERIES SOLID DOORS

MODEL:
PRF24-24-1AS-02



PRF24-24-1AS-02

OPTIONS & ACCESSORIES

- Right or left hand hinge doors available
- Stainless steel breakers
- Stainless steel back
- Stainless steel evaporator pan
- Epoxy coated Tray Slide Module sits on standard shelf (Each module holds (8) 18" x 26" pans)
- Tray slide kit #1—Rim support tray slides
- Tray slide kit #2—Bottom mount angle tray slide
- Tray slide kit #3—Universal tray slide
- Tray slide kit #4—Wire rod tray slide
- 3" casters— in lieu of standard 6" adjustable legs, no charge when specified at time of order
- 6" casters—in lieu of standard 6" adjustable legs, no charge when specified at time of order
- Export crating—contact factory for availability

Available From:



*Note: Not all markings may apply to all model variations.

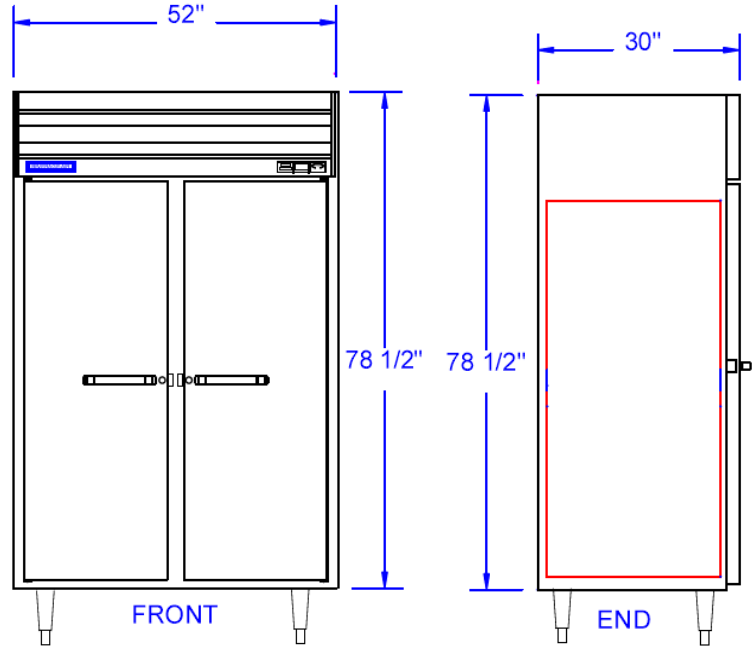
Model Specified _____	Store# _____
Location _____	Quantity _____



Top Mount, Dual Temperature Reach-In
Model: PRF24-24-1AS-02

PLAN VIEWS

MODEL	PRF24-24-1AS-02 SOLID DOOR
EXTERNAL DIMENSIONAL DATA	
Length Overall (inches)	52"
Length Overall (mm)	1321
Depth Overall—(inches) less handle	30"
Depth Overall—(mm) less handle	762
Height Overall—(inches) less legs	78 1/2"
Height Overall—(mm) less legs	1994
INTERNAL DIMENSIONAL DATA	
NET Capacity (cubic ft.)	23.1 / 23.1
NET Capacity (Liters)	654 / 654
Number of Shelves	6
ELECTRICAL DATA	
Full Load Amperes 115/60/1	5.7 / 10.6
REFRIGERATION DATA	
Horsepower	1/4—1/2
WEIGHT DATA	
Gross Weight (Crated lbs)	701
Gross Weight (Crated kg)	318



Note: Not all markings may apply to all model variations.

PRF24-24-1AS-02

BEVERAGE-AIR® CORPORATION

3779 Champion Blvd. • Winston-Salem, NC 27105 USA • (336) 245-6400 • Fax (336) 245-6453 • (888) 845-9800 • www.beverage-air.com

Specifications are subject to change without prior notice. 06/13