



BEVERAGE-AIR

3779 Champion Blvd., Winston-Salem, NC 27105
1-888-845-9800 Fax# 1-336-245-6453
<http://www.Beverage-Air.com>

Commercial Refrigeration Equipment General Specification

3 Year Parts/Labor Warranty Additional 2 Year Compressor Warranty

CABINET CONSTRUCTION

- Exterior—Stainless steel exterior.
- Interior—Stainless steel interior.
- Insulation—2" foamed-in-place CFC and HCFC-free polyurethane insulation.
- Will accept food carts (one per section) up to 27" wide x 29" deep x 64" high (supplied by others).
- Attachable door ramp of reinforced stainless steel includes a one-inch rise to the reinforced stainless steel cabinet floor.
- Stainless steel cart guides are included in the interior.

DIGITAL THERMOMETER

- Exterior digital thermometer provides a digital display of cabinet temperatures.

REFRIGERATION SYSTEM

- Top mount, environmentally friendly refrigeration system maintains product temperatures of 36 - 38°F.
- Factory engineered, self-contained refrigeration system uses environmentally friendly (CFC and HCFC-free) R134A refrigerant.

DOORS

- Solid door configuration.
- Anti-microbial door handles and door locks are standard.
- Field reversible doors and cam lift hinges standard. Positive seal self-closing door(s) with 120° stay open feature.
- Snap-in door gaskets of one piece construction, removable without tools for ease of cleaning.
- Wiper gasket at bottom of door seals door to ramp.

MODEL FEATURES

- Incandescent interior lighting.
- Cord and plug pre-wired – 115/60/1 phase.
- UL-EPH and CUL for open food product.

Item No. _____
Quantity _____

TOP MOUNTED ROLL-IN AND ROLL-THRU REFRIGERATORS PRI/PRT SERIES SOLID DOORS

MODELS:
PRI1-1AS
PRI2-1AS

PRT1-1AS
PRT2-1AS



PRI1-1AS



PRI2-1AS
PRT2-1AS

Available From:



*Note: Not all markings may apply to all model variations.

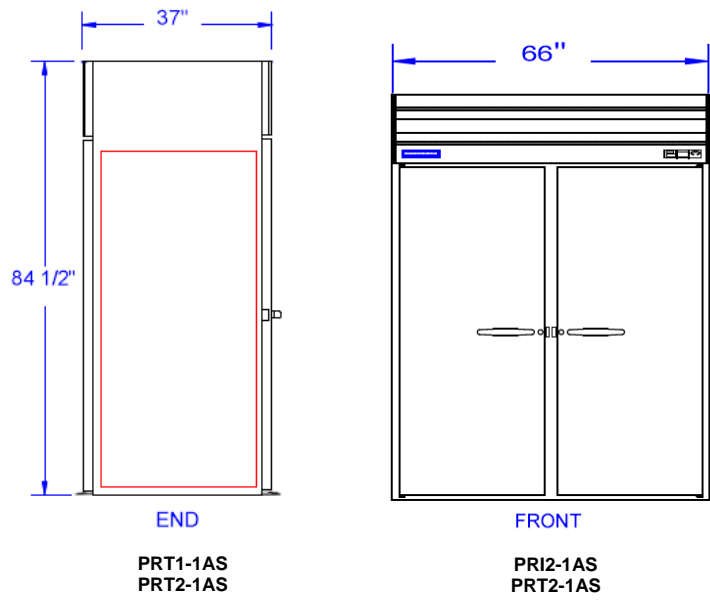
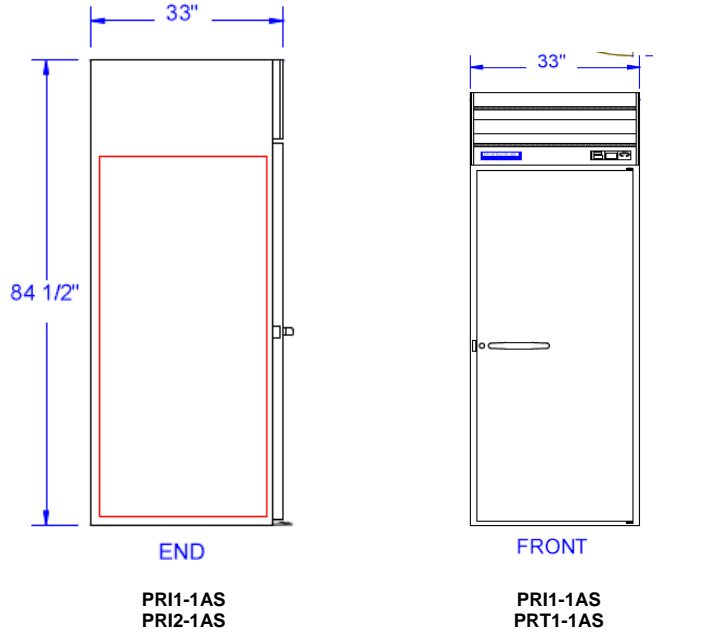
Model Specified _____	Store# _____
Location _____	Quantity _____



Top Mount, Roll-In and Roll-Thru Refrigerators
Models: PRI1, PRI2, PRT1, PRT2
(PRI) Roll-In, (PRT) Roll-Thru

PLAN VIEWS

MODEL	PRI-1AS	PRI2-1AS	PRT1-1AS	PRT2-1AS
EXTERNAL DIMENSIONAL DATA				
Length Overall (inches)	33"	66"	33"	66"
Length Overall (mm)	838	1676	838	1676
Depth Overall—(inches) less handle	33"	33"	37"	37"
Depth Overall—(mm) less handle	838	838	940	940
Height Overall—(inches) less casters	84 1/2"	84 1/2"	84 1/2"	84 1/2"
Height Overall—(mm) less casters	2146	2146	2146	2146
Number of doors	1	2	2	4
INTERNAL DIMENSIONAL DATA				
NET Capacity (cubic ft.)	34.3	73.4	36.5	78.2
NET Capacity (Liters)	971	2079	1034	2214
Cart Capacity	1	2	1	2
ELECTRICAL DATA				
Full Load Amperes 115/60/1	5.7	12.0	5.7	12.0
REFRIGERATION DATA				
Horsepower	1/4	1/2	1/4	1/2
WEIGHT DATA				
Gross Weight (Crated lbs)	437	732	398	836
Gross Weight (Crated kg)	198	332	181	379



*Note: Not all markings may apply to all model variations.

ELECTRICAL CONNECTION

Units pre-wired at factory and include 8' long cord and plug set.



BEVERAGE-AIR® CORPORATION

3779 Champion Blvd. • Winston-Salem, NC 27105 USA • (336) 245-6400 • Fax (336) 245-6453 • (888) 845-9800 • www.beverage-air.com

Specifications are subject to change without prior notice. 06/13