



# BEVERAGE-AIR

3779 Champion Blvd., Winston-Salem, NC 27105  
1-888-845-9800 Fax# 1-336-245-6453  
<http://www.Beverage-Air.com>

**CUSTOMER'S CHOICE FOR A HOT KITCHEN**  
**Tested & Certified to Ambient Class of 100°F**

## 3 Year Parts/Labor Warranty Additional 2 Year Compressor Warranty

### SPE27 ELITE SERIES — with Sneeze Guard Assembly

All around prep table with enhanced refrigeration system and new and improved grille system for better airflow and less temperature gradient. Improved design envelops cold air around pans and provides uniform temperature distribution throughout the cabinet. Airflow assures that product in open containers is kept below 41°F and above freezing. This translates into increased product shelf life, higher quality food, better food appearance, fresher product and a reduction of bacteria build-up to combat food-borne illnesses.

### CABINET CONSTRUCTION

Exterior construction includes heavy-duty stainless steel finish on front, sides, top, door(s), back, bottom and grille. Sneeze guard assembly constructed of stainless steel and clear plastic. Interior liner is made of anodized aluminum for superior resistance to corrosion.

Doors are mounted to face of cabinet on cartridge style hinges permitting them to self close under their own weight. Hinges also allow doors to stay open 120° and permit easy door removal for service and cleaning if required. A plug in type vinyl magnetic gasket is attached to each door for positive seal. Door handle is made from extruded aluminum with a black anodized finish. It is contoured to permit easy opening of doors with fingers from both top and bottom of handle. Digital thermometer on door to monitor interior cabinet temperature.

Cabinet insulation is CFC free foamed-in-place polyurethane of two-inch minimum thickness. Six-inch adjustable legs are standard. 3" ADA compliant casters are available.

Dual-sided countertop is constructed of stainless steel for added durability. One epoxy-coated steel wire shelf supplied as standard. Will accommodate 9-1/9th size pans and 2-1/6th size pans. Pans furnished are 6" deep and made of polycarbonate plastic and are centered for service on both sides of unit.

### REFRIGERATION

More robust refrigeration system provides added capacity and efficiency. Systems are designed using CFC free R134a refrigerant and capillary tube between condenser and evaporator. Recirculated, forced air from evaporator is moved under pans, which are recessed 2" from top of cabinet. Forced air over the condenser is drawn through grille under door as well as the back and bottom of cabinet. Automatic condensate evaporator is provided to eliminate the need of floor drains.

### CERTIFICATIONS

Designed and tested in 86°F ambient to 2009 NSF/ANSI 7 standard to hold food product below 41°F. Food must be pre-chilled before placing into pans. Approvals UL-EPH, NSF7 for Open Buffets, and Canadian (CSA).

Item No. \_\_\_\_\_  
Quantity \_\_\_\_\_

**FOOD PREPARATION  
SERIES PREP TABLES**  
**SPE27 ELITE SERIES**  
**WITH SNEEZE GUARD**  
**HOLDS (9) 1/9 AND (2) 1/6 SIZE PANS**

**MODELS:  
SPE27-SNZ**



**SPE27-SNZ**

### ELECTRICAL CONNECTION

Units pre-wired at factory and include 8' long cord and plug set located at rear, bottom left.



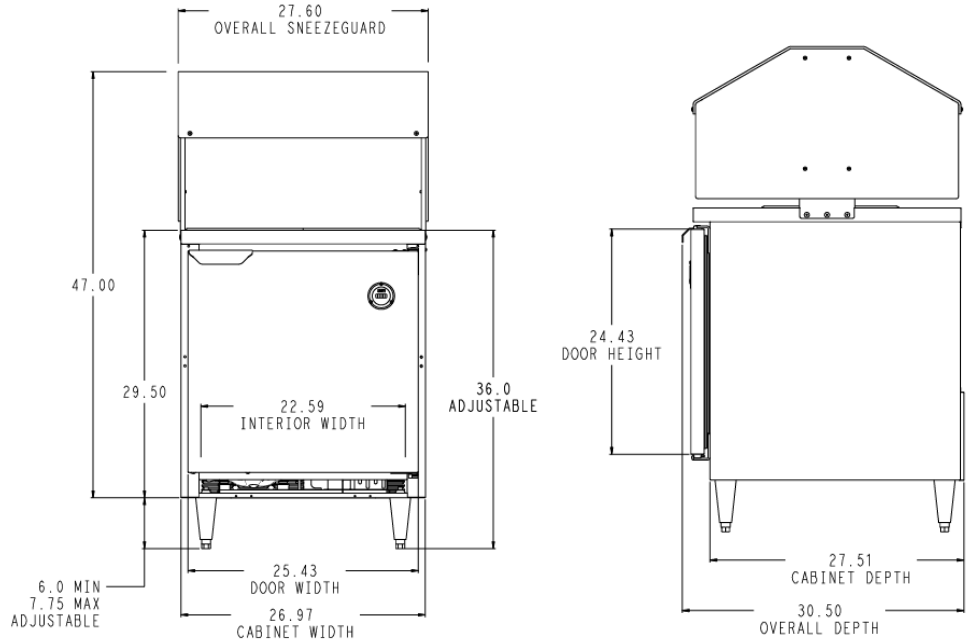
<b>Model Specified</b> _____	<b>Store#</b> _____
<b>Location</b> _____	<b>Quantity</b> _____



**Food Preparation Table**  
Models: SPE27-SNZ

MODEL	SPE27-SNZ
<b>EXTERNAL DIMENSIONAL DATA</b>	
Length Overall (inches) / (mm) <i>Includes overall sneeze guard</i>	27 3/5" / 701
Depth Overall (inches) / (mm) <i>Includes door and handle</i>	30 1/2" / 775
Working Height— (inches) / (mm)*	36" / 914
Number of doors	1
Depth with Door Open 90 °	55 1/8"
Clear Door Opening (inches)	22 1/2" x 21
<b>INTERNAL DIMENSIONAL DATA</b>	
NET Capacity (cubic ft.)	7.3
NET Capacity (Liters)	207
Number of shelves	1
<b>ELECTRICAL DATA</b>	
Full Load Amperes 115/60/1	5
<b>REFRIGERATION DATA</b>	
Horsepower	1/4
<b>WEIGHT DATA</b>	
Gross Weight (Crated lbs)	202
Gross Weight (Crated kg)	92

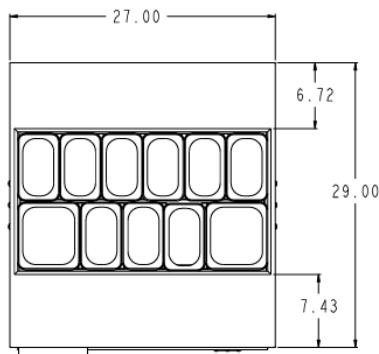
**PLAN VIEWS**



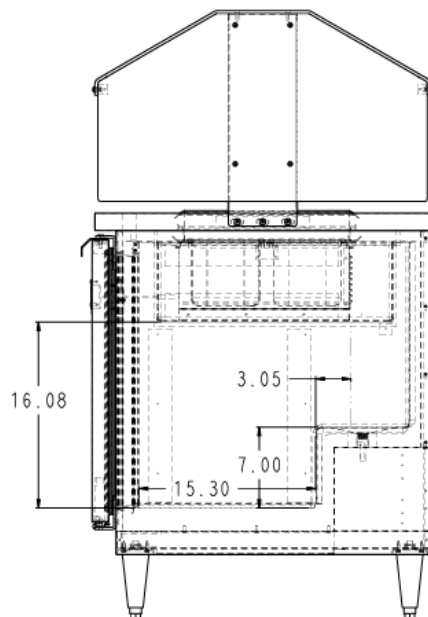
**FRONT VIEW**

**END VIEW**

**PAN CONFIGURATION**



PAN CONFIGURATION



**AVAILABLE INTERIOR SPACE**

**BEVERAGE-AIR® CORPORATION**

3779 Champion Blvd. • Winston-Salem, NC 27105 USA • (336) 245-6400 • Fax (336) 245-6453 • (888) 845-9800 • www.beverage-air.com

Specifications are subject to change without prior notice. 06/13