



BEVERAGE-AIR

3779 Champion Blvd., Winston-Salem, NC 27105
1-888-845-9800 Fax# 1-336-245-6453
<http://www.Beverage-Air.com>

CUSTOMER'S CHOICE FOR A HOT KITCHEN
Tested & Certified to Ambient Class of 100°F

3 Year Parts/Labor Warranty
Additional 2 Year Compressor Warranty

SPEDP36 ELITE SERIES — MEGA TOP

Fifty percent greater pan capacity than the all around standard prep table. Features enhanced refrigeration system and new and improved grille system for better airflow and less temperature gradient. Improved design provides better airflow management and uniform temperature distribution throughout the cabinet. Pans are cooled from the bottom, eliminating the necessity of air blanket. Airflow assures that product in open containers is kept below 41°F and above freezing. This translates into increased product shelf life, higher quality food, better food appearance, fresher product and a reduction of bacteria build-up to combat food-borne illnesses.

CABINET CONSTRUCTION

Exterior construction includes heavy-duty stainless steel finish on front, sides, top, drawers and grille. Removable hoods and insulated lid assemblies are made of matching stainless steel. Cabinet back and bottom are constructed of galvanized steel. Interior liner is made of aluminum for superior resistance to corrosion.

Drawer frames are constructed of heavy-duty stainless steel and are supported on heavy-duty telescoping drawer slides for maximum support of stored food products. Slides have locking mechanism to prevent from drawers being pulled off of cabinets. Top & bottom drawers accommodate 6" deep pans. Heavy-duty pan divider supports are supplied. Food-service pans for drawers are not included. Snap-type vinyl magnetic gasket is attached to each drawer for positive seal. Top drawer extends 17 3/4" (when opened) and bottom drawer extends 15 3/4" (when opened).

Cabinet insulation is CFC and HCFC-free foamed-in-place polyurethane of two-inch minimum thickness. Six-inch casters, 2 with brakes, are standard. Legs are available as an option.

Cutting board supplied with cabinet is 10" deep constructed of high-density white polyethylene plastic. It is readily removable for cleaning. Pans furnished for top are 4" deep and made of polycarbonate plastic. Top will hold 6" deep pans.

REFRIGERATION

More robust refrigeration system provides added capacity and efficiency. Systems are designed using CFC free R134a refrigerant and capillary tube between condenser and evaporator. Recirculated, forced air from evaporator is moved under pans, which are recessed 2" from top of cabinet. Forced air over the condenser is drawn through grille under door as well as the back and bottom of cabinet. Automatic condensate evaporator is provided to eliminate the need of floor drains.

Item No. _____
Quantity _____

**FOOD PREPARATION
SERIES PREP TABLES**
SPEDP36 ELITE SERIES
MEGA TOP

MODELS:
SPEDP36-12M
SPEDP36-15M



SPEDP36-12M

ELECTRICAL CONNECTION

Units pre-wired at factory and include 8' long cord and plug



Available From:

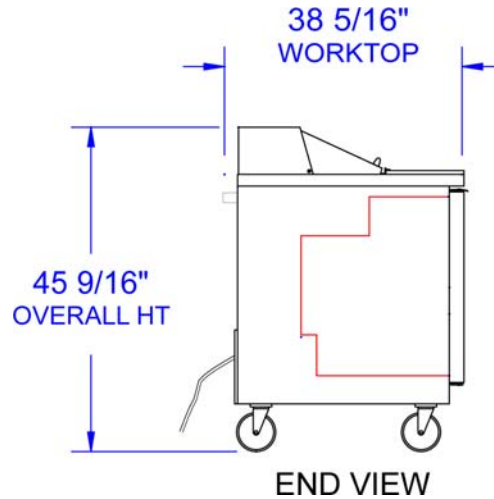
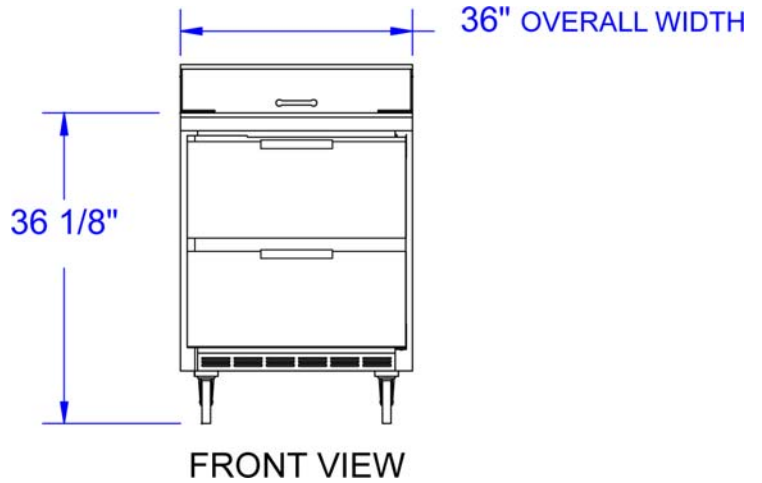
Model Specified _____	Store# _____
Location _____	Quantity _____



PLAN VIEWS

Food Preparation Table — Mega Top Models: SPEDP36

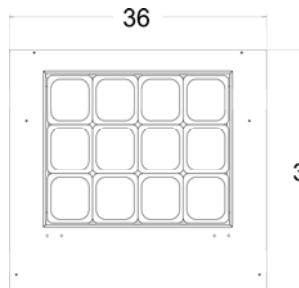
MODEL	SPEDP36-12M	SPEDP36-15M
EXTERNAL DIMENSIONAL DATA		
Length Overall (inches)	36"	36"
Length Overall (mm)	914	914
Depth Overall (inches)	38 5/16"	38 5/16"
Depth Overall (mm)	973	973
Height Overall— (inches)	45 9/16"	45 9/16"
Height Overall— (mm)	1157	1157
Number of Drawers	2	2
Top Drawer Extension (when opened)	17 3/4"	17 3/4"
Bottom Drawer Extension (when opened)	15 3/4"	15 3/4"
INTERNAL DIMENSIONAL DATA		
NET Capacity (cubic ft.)	10.2	10.2
NET Capacity (Liters)	289	289
Internal Length Overall (inches)	32"	32"
Internal Length Overall (mm)	813	813
Internal Depth Overall (inches)	20"	20"
Internal Depth Overall (mm)	508	508
Internal Height Overall—(inches)	18"	18"
Internal Height Overall—(mm)	457	457
Number of shelves	4	4
ELECTRICAL DATA		
Full Load Amperes 115/60/1	5	5
REFRIGERATION DATA		
Horsepower	1/4	1/4
WEIGHT DATA		
Gross Weight (Crated lbs)	309	320
Gross Weight (Crated kg)	140	145



DRAWER SUPPORT CAPACITY

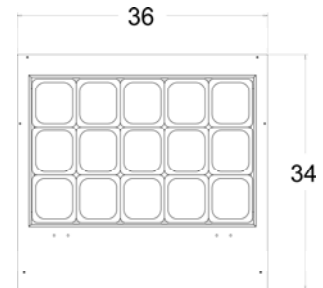
MODEL	# OF PAN SUPPORTS (SUPPLIED)	POSSIBLE PAN COMBINATION
SPEDP36	1 WIDE	(4) 1/3 SIZE PANS OR
	and	(1) FULL SIZE PAN + (1) 1/3 SIZE PAN OR
	2 NARROW	(8) 1/6 SIZE PANS

**SPEDP36-12M
Pan Configuration**



TOP VIEW
SPE36-12M

**SPEDP36-15M
Pan Configuration**



TOP VIEW
SPE36-15M

BEVERAGE-AIR® CORPORATION

3779 Champion Blvd. • Winston-Salem, NC 27105 USA • (336) 245-6400 • Fax (336) 245-6453 • (888) 845-9800 • www.beverage-air.com

Specifications are subject to change without prior notice. 04/15