



BEVERAGE-AIR

3779 Champion Blvd., Winston-Salem, NC 27105
1-888-845-9800 Fax# 1-336-245-6453
<http://www.Beverage-Air.com>

CUSTOMER'S CHOICE FOR A HOT KITCHEN
Tested & Certified to Ambient Class of 100°F

3 Year Parts/Labor Warranty Additional 2 Year Compressor Warranty

UCF-SERIES UNDERCOUNTER UNITS

Versatile, compact (29" deep) model for undercounter and worktop applications for frozen storage of food products. Height is 34-1/2".

CABINET CONSTRUCTION

Heavy duty construction includes exterior stainless steel on front, sides, door(s) and grille. Cabinet back and bottom are galvanized steel. Interior liner is made of corrosion resistant aluminum. Interior thermometer is standard.

Cabinets are insulated with 2" thick foamed-in-place polyurethane insulation. Sub-top insulated with 1-1/2" foamed-in-place polyurethane insulation. Doors are mounted to cabinet on self-closing, cartridge style hinges with 120° stay open feature. Door openings include low voltage, anti-condensate heaters. Doors are equipped with a snap-in-place vinyl magnetic gasket for positive seal. 6" high casters are standard, 2 include brakes. An 8' cord set is provided with 115 volt models. Cabinet interior standard with 2 steel wire epoxy coated shelves.

REFRIGERATION

Forced air refrigeration systems use capillary tube to meter refrigerant. Automatic electric defrost is standard. Automatic (non-electric) condensate evaporator is provided. Environmentally friendly R404a refrigerant is used.

ELECTRICAL

Units wired at factory and ready for connection to a 115/60/1 phase, 15 amp dedicated outlet. 8' long cord and plug set included.

SPECIAL FEATURES

- Cartridge style door hinges provides positive seal & eliminates door sagging issues (excludes some special units).
- Optional 6" legs or 3" casters available

Item No. _____
Quantity _____

**29" DEPTH
UNDERCOUNTER
FREEZER
FOOD PREPARATION SERIES
GLASS DOOR SERIES**

**MODELS:
UCF27A-25**



UCF27A

ELECTRICAL CONNECTION

Units pre-wired at factory and include 8' long cord and plug set.



Available From:



Model Specified _____	Store# _____
Location _____	Quantity _____

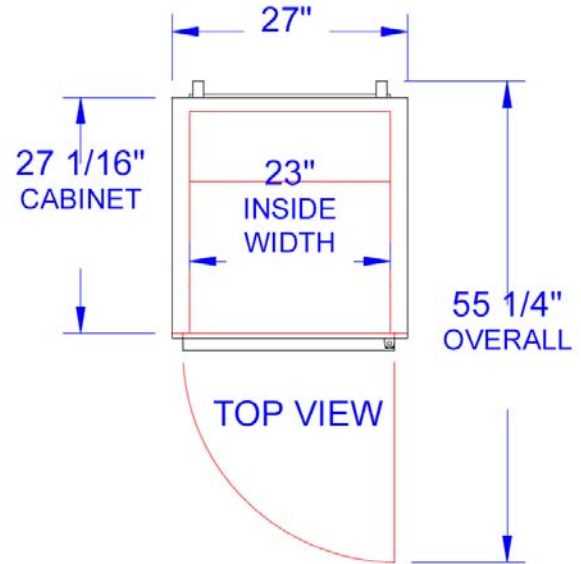


BEVERAGE-AIR

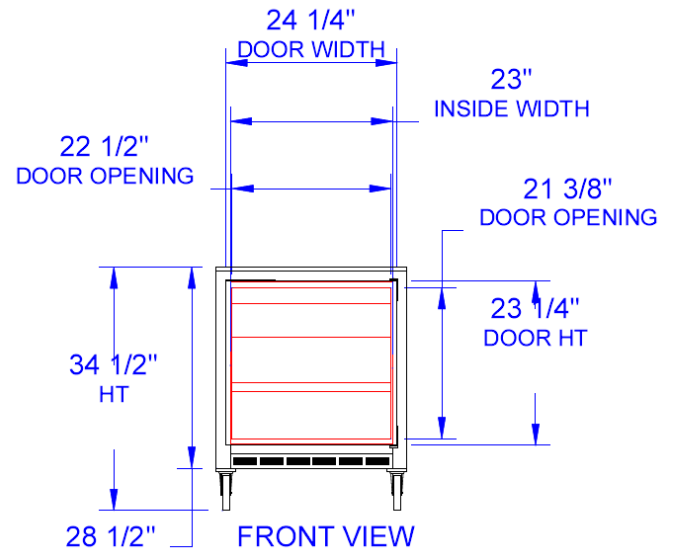
**Standard Undercounter
Freezer Cabinets**
Models: UCF27A-25

MODEL	UCF27A-25
EXTERNAL DIMENSIONAL DATA	
Length Overall (inches)	27"
Length Overall (mm)	686
Depth Overall (inches) - Less handle w/bumpers	30 7/8"
Depth Overall (mm) - Less handle w/bumpers	784
Height Overall— on 6" casters (inches)	34 1/2"
Height Overall—on 6" casters (mm)	876
Depth with Door Open 90 °	55 1/4"
Clear Door Opening (inches)	22 1/2" x 21 1/2"
Number of doors	1
INTERNAL DIMENSIONAL DATA	
NET Capacity (cubic ft.)	7.3
NET Capacity (Liters)	207
Internal Length Overall (inches)	23"
Internal Length Overall (mm)	584
Internal Depth Overall (inches)	18"
Internal Depth Overall (mm)	457
Internal Height Overall (inches)	23"
Internal Height Overall (mm)	584
Number of shelves	2
ELECTRICAL DATA	
Full Load Amperes 115/60/1	6.0
ENERGY CONSUMPTION (KWH)	
	7.5
REFRIGERATION DATA	
Horsepower	1/4
WEIGHT DATA	
Gross Weight (Crated lbs)	180
Gross Weight (Crated kg)	82

PLAN VIEWS



UCF27A-25 TOP



UCF27A-25 FRONT



BEVERAGE-AIR® CORPORATION

3779 Champion Blvd. • Winston-Salem, NC 27105 USA • (336) 245-6400 • Fax (336) 245-6453 • (888) 845-9800 • www.beverage-air.com

Specifications are subject to change without prior notice. 08/14