



BEVERAGE-AIR

3779 Champion Blvd., Winston-Salem, NC 27105
1-888-845-9800 Fax# 1-336-245-6453
<http://www.Beverage-Air.com>

CUSTOMER'S CHOICE FOR A HOT KITCHEN
Tested & Certified to Ambient Class of 100°F

3 Year Parts/Labor Warranty Additional 2 Year Compressor Warranty

UCR/UCF—SERIES UNDERCOUNTER UNITS

Select from 4 standard sizes in widths of 46" (1 door), 67" (2 door), 93" (3 door), and 119" (4 door). Overall height is 34 1/2" with units installed on 6 inch casters (2 with brakes).

CABINET CONSTRUCTION

Construction features include stainless steel exteriors and aluminum interiors. Cabinet back and bottom are galvanized steel. Interiors accommodate sheet pans and hotel pans. Pan slides are optionally available.

Cabinets are insulated with 2" thick foamed-in-place polyurethane insulation. Doors are mounted to cabinet on self-closing, cartridge style hinges with 120° stay open feature. Doors are equipped with a snap-in-place vinyl magnetic gaskets for positive seal. Convenient, double pull style door handle is made of black anodized aluminum. 6" high casters are standard, 2 include brakes. An 8' cord set is provided with 115 volt models. Cabinet interior standard with 2 steel wire epoxy coated shelves per section. Interior light with manual switch is provided with glass door models.

REFRIGERATION

Balanced refrigeration systems provide high humidity storage of product at 35° to 38°. One size undercounter freezer UCF67 holds product below zero and is equipped with time activated, temperature terminated, electric defrosting. Refrigerants include CFC free R134a in refrigerators and 404A in freezers to comply with all environmental standards.

ELECTRICAL

Units wired at factory and ready for connection to a 115/60/1 phase, 15 amp dedicated outlet. 8' long cord and plug set included.

SPECIAL FEATURES

- Cartridge style door hinges provides positive seal & eliminates door sagging issues (excludes glass door and some special units).
- Optional 6" legs or 3" casters available

Item No. _____
Quantity _____

**32" DEPTH
UNDERCOUNTER
REFRIGERATORS
AND FREEZER
FOOD PREPARATION SERIES**

**MODELS:
UCR41A
UCR46A
UCR/UCF67A
UCR93A
UCR119A**



UCR/UCF67



UCR93

ELECTRICAL CONNECTION

Units pre-wired at factory and include 8' long cord and plug set.



115/60/1
NEMA-5-15P

Available From:



Model Specified _____

Store# _____

Location _____

Quantity _____



BEVERAGE-AIR

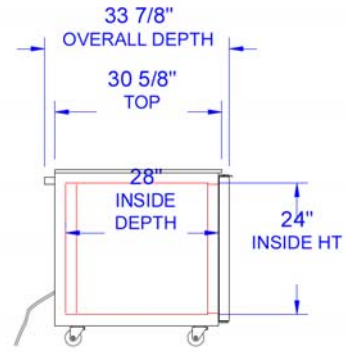
Undercounter Refrigerators and Freezer

32" Base Model Series

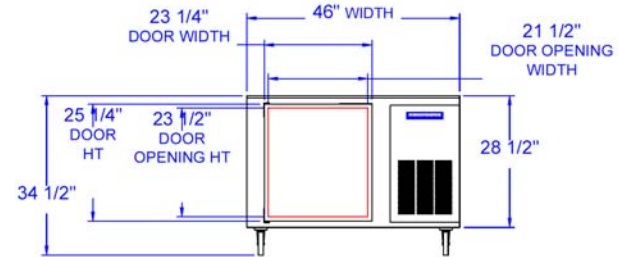
Models: UCR41A / UCR46A / UCR67A / UCR93A / UCR119A / UCF67A

MODEL	UCR41A	UCR46A	UCR67A	UCR93A	UCR119	UCF67A
EXTERNAL DIMENSIONAL DATA						
Length Overall (inches)	41"	46"	67"	93"	119"	67"
Length Overall (mm)	1041	1168	1702	2362	3023	1702
Depth Overall (inches) - Less handle	32"	32"	32"	32"	32"	32"
Depth Overall (mm) - Less handle	813	813	813	813	813	813
Height Overall—on 6" casters (inches)	34 1/2"	34 1/2"	34 1/2"	34 1/2"	34 1/2"	34 1/2"
Height Overall—on 6" casters (mm)	876	876	876	876	876	876
Depth with Door Open 90°	55 3/8"	55 3/8"	55 7/8"	57"	55 7/8"	57"
Clear Door Opening (inches)	21 1/2" X 23 1/2"	21 1/2" x 23 1/2"	23 1/3" x 25 1/4"	21 1/2" x 23 1/2"	21 1/2" x 23 1/2"	21 1/2" x 23 1/2"
Number of doors	1	1	2	3	4	2
INTERNAL DIMENSIONAL DATA						
NET Capacity (cubic ft.)	8.3	16.7	19.21	29.7	40.5	19.21
NET Capacity (Liters)	235	472	544	841	1147	544
Internal Length Overall (inches)	22"	22"	48"	74"	100 1/8"	48"
Internal Length Overall (mm)	559	559	1219	1880	2543	1219
Internal Depth Overall (inches)	26"	26"	26"	26"	26"	26"
Internal Depth Overall (mm)	660	660	660	660	660	660
Internal Height Overall (inches)	24"	24"	24"	24"	24"	24"
Internal Height Overall (mm)	610	610	610	610	610	610
Number of shelves	2	2	4	6	8	4
ELECTRICAL DATA						
Full Load Amperes 115/60/1	6.3	6.3	6.3	8.6	8.6	8.6
ENERGY CONSUMPTION (KWH)						
	2.81	2.81	2.56	3.49	3.91	15.3
REFRIGERATION DATA						
Horsepower	1/4	1/4	1/4	1/3	1/3	3/4
WEIGHT DATA						
Gross Weight (Crated lbs)	240	240	226	495	590	266
Gross Weight (Crated kg)	109	109	103	225	270	121

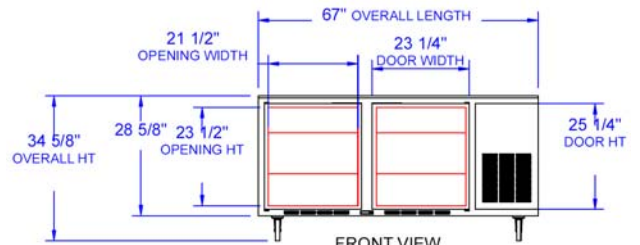
PLAN VIEWS



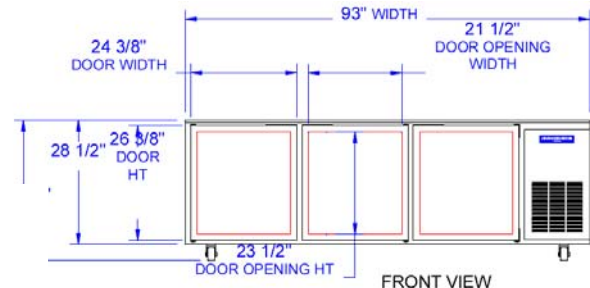
LEFT SIDE VIEW



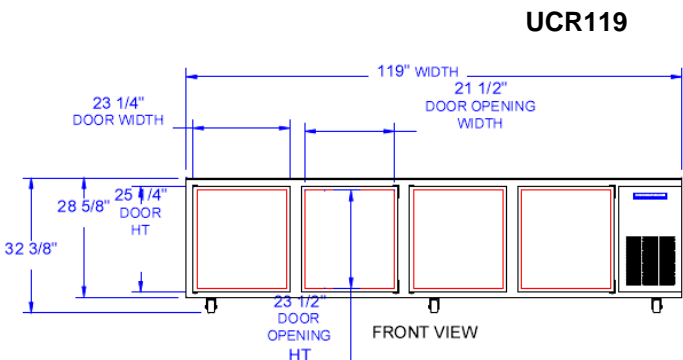
FRONT VIEW
UCR46



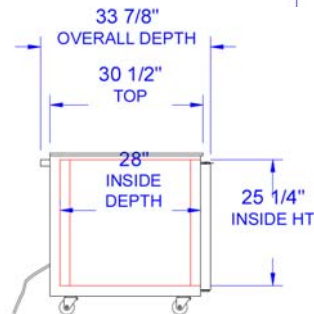
FRONT VIEW
UCR/UCF67



FRONT VIEW
UCR93



FRONT VIEW



LEFT SIDE VIEW

BEVERAGE-AIR® CORPORATION

3779 Champion Blvd. • Winston-Salem, NC 27105 USA • (336) 245-6400 • Fax (336) 245-6453 • (888) 845-9800 • www.beverage-air.com

Specifications are subject to change without prior notice. 08/13