



BIZERBA

■ ... closer to your business

This machine slices bread precisely to your customers' taste from a single slice to a whole loaf.

■ ...BRS 38 – precision bread-slicer...



Halving – quartering – individual slices

- Variable slice thickness 3/16" - 1 3/16" (5-30 mm)
- 3 programmable quick keys, thin, medium and thick
- Stainless steel construction with decorative aluminum front panel
- Redundant safety systems
- Slices up to 100
- Maximum bread dimensions W = 9.9", H = 5.9", L = 14.9"
- Customer eye appeal.
- High speed rotating blade does not compress the product
- Oil-less operation. Fast and easy to clean
- Cleanly slices through nut and fruit breads
- Easily slices hard crust, soft loaves, and warm bread
- Special product clamp guarantees small end pieces
- Can slice on a bias. (determined by width of loaf)
- Chamber cover made of durable Lexan
- Built in diagnostic program for quick troubleshooting
- 110 V
- Optional mobile stand provides the correct working height, flexibility.

Best blade in the industry

Bizerba is excited to announce the release of the innovative bread slicer – BRS-38. With a high-speed rotating blade, it easily passes through all types of bread. Variable slice thickness gives the customer a choice without the need for multiple grid sets.



Project Name _____
 Model/s _____
 Number _____
 Quantity _____

BIZERBA

... closer to your business

Single phase AC current

- 110 V, specialised data available on request
- 60 Hz
- Frequency of nominal current 5 A
- Power consumption 0.78 kW



Blade diameter

- 9.84" (250 mm)

Max. produce size

- 11.8" x 5.9" x 15" (W x L x H)
(300 x 150 x 380 mm)

Slice width settings

- 0.12"-1.2" (3-30 mm)

Slices per minute

- 80 Slices

External dimensions

- 37.4" x 26" x 17.7" (W x L x H)
(950 x 660 x 450 mm)

Protection type

- IP 31

Weight of machine

- 110 lbs, 50 kg

Additional equipment

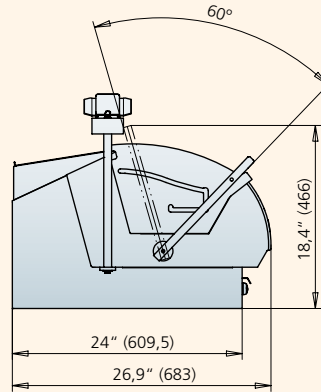
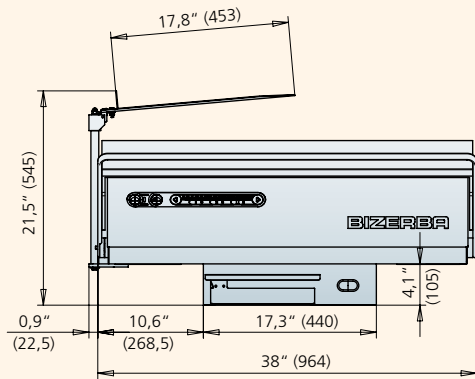
- Stainless steel stand

Packing case

- 42.5" x 32.3" x 25.6" (W x L x H)
(1080 x 820 x 650 mm)
- Weight: 35 kg



Stainless steel stand



Warranty

The BRS 38 carries a one-year, on-site parts and labor warranty against any flaws in materials and workmanship. This period begins with the date of purchase and, provided the unit is used properly in accordance with our instructions, is in full effect for one year from that date. Any work to be performed under this warranty must be performed between the hours of 8:00 a.m. and 4:30 p.m. local time, Monday to Friday. Bizerba will not pay overtime charges for work performed other than during normal business hours. Accessories have a 30-day replacement or repair warranty for the period beginning on the date of purchase. Damages incurred in transit or from installation error, accident, alteration or misuse are not covered. Transit damages should be reported to the carrier immediately. Bizerba shall not be liable for any consequential, compensatory, incidental, or special damages. All warranty work must be performed by a factory authorized Bizerba Representative.

Members of the Bizerba Group

Bizerba GmbH & Co. KG
 Wilhelm-Kraut-Straße 65
 72336 Balingen
 Germany
 Tel. +49 7433 12-0
 Fax +49 7433 12-2696
 marketing@bizerba.de
 www.bizerba.com

Bizerba USA Inc.
 31 Gordon Road
 Piscataway
 New Jersey 08854
 USA
 Tel. Office +1 732 565-6000
 Tel. Service +1 732 565-6001
 Fax +1 732 819-0429
 us.info@bizerba.com
 www.bizerbausa.com

Bizerba Canada Inc.
 2810 Argentinia Road #9
 Mississauga,
 Ontario L5N 8L2
 Canada
 Tel. +1 905 816-0498
 Fax +1 905 816-0497
 sales@bizerba.ca
 www.bizerba.ca

Bizerba de México, S.A. de C.V.
 Av. Rio Mixcoac No. 157
 Colonia Florida
 01030 México, D.F.
 México
 Tel. +52 55 5663-1397
 Fax +52 55 5663-1296
 eduardo.aburto@bizerba.com.mx
 www.bizerba.com.mx