

PROCESSING

Berkel**B32**
CUTTER/MIXER

Model B32

**FEATURES**

Berkel Model B32 cutter/mixer is a high-performance machine that quickly and conveniently chops, grinds, blends and mixes meat, fish, vegetables, soups, butter, fruits and cheese. Constructed of heavy-duty aluminum with integrated handles, the compact B32 is easy to move from one location to another. Stainless steel bowl provides superior durability and long life. The 1,450/2,650 RPM speed settings provide for perfect processing results. The dual interlock boosts operator protection. The knife unit has serrated blades for fast, consistent results.

 B32 Cutter/Mixer
STANDARD FEATURES

- Chops and grinds meat, fish, fruit, vegetables and nuts.
- Blends and mixes sauces, aromatic butter, mayonnaise, soups, dressing, thickenings, desserts, etc.
- 2-speed, 1½ HP, thermal motor protection with automatic reset.
- Furnished in 120/60/1, UL listed.
- Optimal speed settings ensure perfect results for the required applications.
- Pulse function for precise operator control.
- Includes 3.2 quart (3 liter) stainless steel bowl, knife unit, lid and scraper.
- Knife unit with serrated blades for faster processing.
- Bowl scraper for uniform mixing that is removable for easy cleaning.
- Aluminum machine base and stainless steel bowl for increased durability.

ACCESSORIES (Packaged & Sold Separately)

-
- Additional stainless steel cutter/mixer bowl with knife unit.

Berkel

a division of ITW Food Equipment Group LLC

P.O. Box 696 ■ Louisville, KY 40201 ■ Toll-free: 1-800-814-2028 ■ Local: 502-778-2791 ■ Quote & Order Fax: 1-800-444-0602



B32
CUTTER/MIXER

SPECIFICATIONS

Motor: 1½ hp, 2-speed, thermal motor protection with automatic reset.

Electrical: Furnished in 120/60/1, 9 amps, UL Listed, 3-wire electrical cord and plug. Cord is 6' in length.

Finish/Construction: Machine base of aluminum. Cutter/Mixer attachment bowl of stainless steel, lid, scraper and knife hub of polycarbonate. All blades of stainless steel.

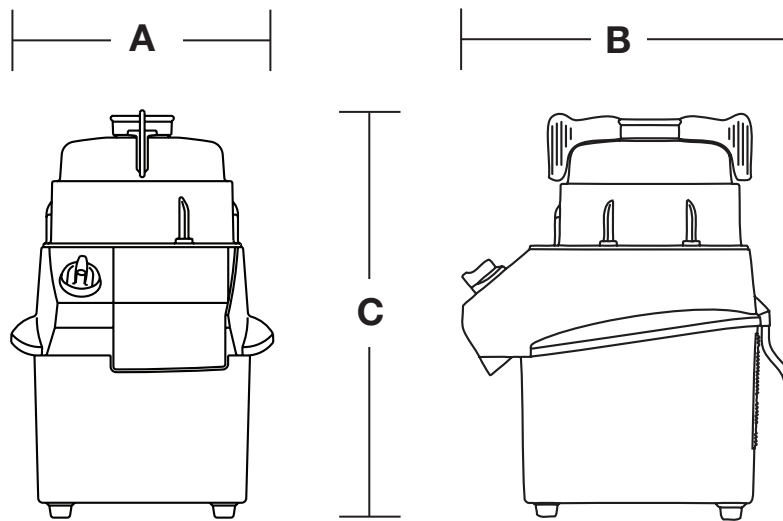
Controls: Sealed dial controls with integrated pulse function.

Speeds: 2 high speeds (1,450/2,650 rpm) for chopping, grinding, blending and mixing.

Operator Protection: Dual interlocks keeps machine from operating unless bowl and lid are in the proper position.

Capacity: 3.2 quart stainless steel cutter/mixer bowl.

Warranty: Parts, labor and travel coverage for one year, exclusive of wear items.



Cutter/Mixer (Bowl)

MODEL NO.	CAPACITY	PRODUCT DIMENSIONS			WEIGHT
		WIDTH A	DEPTH B	HEIGHT C	
B32	3.2 quarts (3 liters)	11" (280 mm)	13" (330 mm)	17" (432 mm)	Net 23 lbs. (11 kg) Ship 33 lbs. (15 kg)

MOTOR	ELECTRICAL	CUTTING SPEEDS	BOX DIMENSIONS		
			WIDTH A	DEPTH B	HEIGHT C
1½ HP	120/60/1 9 amps	1,450/2,650 rpm	16¼" (413 mm)	16¼" (413 mm)	27" (686 mm)



P.O. Box 696 ■ Louisville, KY 40201 ■ Toll-free: 1-800-814-2028 ■ Local: 502-778-2791 ■ Quote & Order Fax: 1-800-444-0602