



Welded Bun Pan Dolly



Use your smart phone to scan the above QR code to visit our website:
www.bk-resources.com



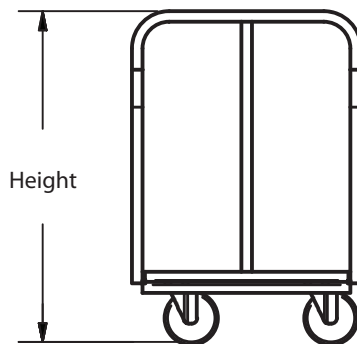
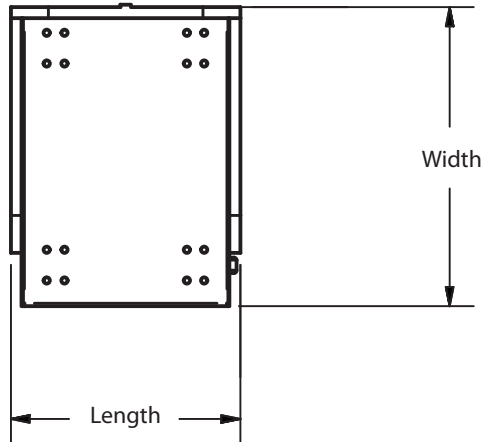
Features:

- Accommodates 18" x 26" Sheet Pans
- 1,000 lbs. Capacity

Material:

- Welded 6063-T5 Aluminum Construction

Part Number	Overall Size: (l x w x h)	Casters
BK-BPD-1	21 1/2" x 28" x 31 1/4"	5" Swivel



PRODUCT DATA SHEET

BK RESOURCES

